

LES PETITS CHAMPS

Instruction manual

Manuel d'utilisation

Gebruichsanweisung

Gebruiksaanwijzing

Manual de Usuario

Manuale d'uso

15

CAVC15

Compressor Wine Cooler - 15 bottles

Refroidisseur de vin à compresseur - 15 bouteilles

Weinkühlschrank (Kompressor) - 15 Flaschen

Wijnkoelkast met compressor - 15 flessen

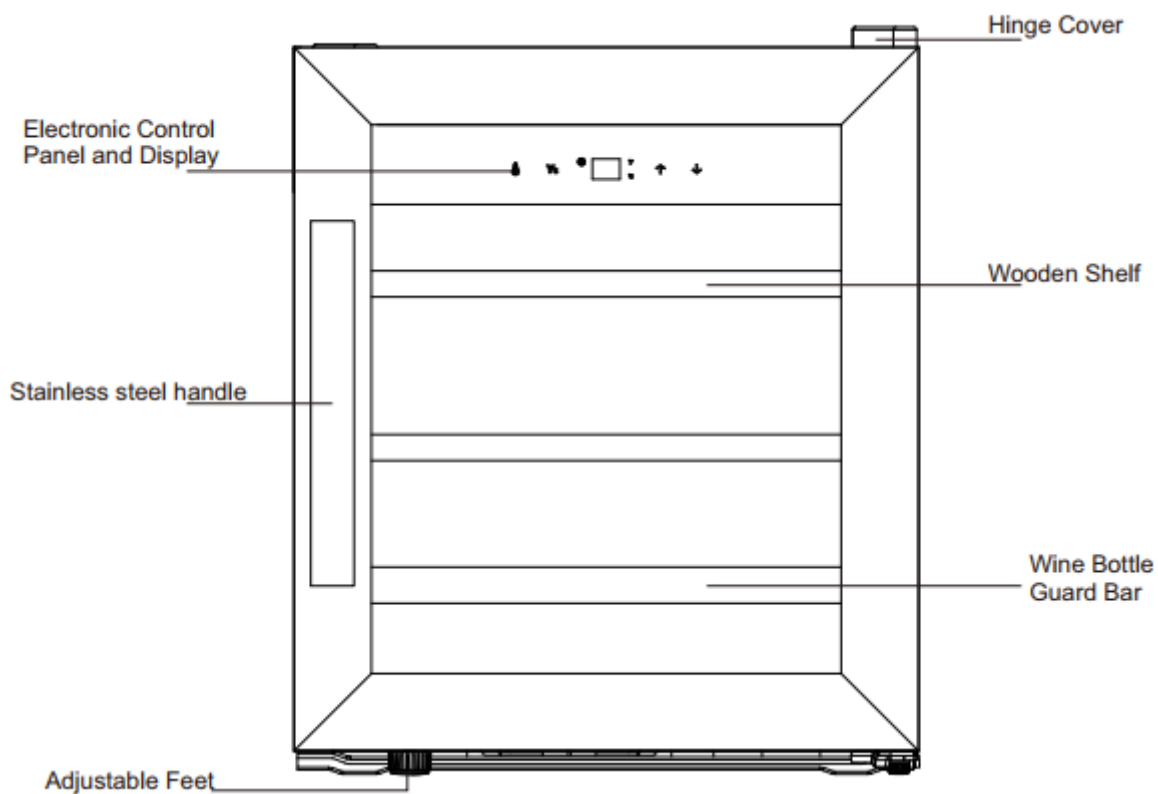
Refrigerador de vinos - 15 bottiglie

Cantinetta vino con compressore - 15 botellas



ENGLISH

NAMES OF THE PARTS



SPECIFICATIONS

| | | |
|----------------------------------|-------|---------------|
| Type | | CAVC15 |
| Volume (liter) | | 46L |
| Material | Iron | Iron |
| | Glass | Glass |
| Unit Dimension(W×D×H)(mm) | | 513*430*480mm |
| Packaging Dimension (W×D×H)(mm) | | 520*465*545mm |
| Net Weight (Kg) | | 19.3 KG |

| | |
|-------------------|------------|
| Gross Weight (Kg) | 21.5 KG |
| Temperature Range | 4°C-18°C |
| Rated Voltage | 220-240VAC |
| Rated Frequency | 50Hz |
| Rated Current | 0.55A |

⚡WARNING⚡

To reduce the risk of fire, electrical shock, or injury when using your appliance, follow these basic precautions:

Read these operating instructions carefully before using the device and keep them for future use.

- **WARNING:** When positioning the appliance, ensure the supply cord is not trapped or damaged.
- **WARNING:** Do not locate multiple portable socket-outlets or portable power supplies at the rear of the appliance.
- **WARNING:** Risk of child entrapment.
- Before disposing of your used appliance:

Remove its doors and leave the shelves in place so that a child cannot easily climb into the unit.

- Never allow children to use, play with or climb into the unit.
- Never clean the components of the unit with flammable liquids.
- Do not store or use gasoline or any other flammable liquids or gases near this or any other appliance.

Vapors present a risk of fire or explosion.

- To clean your appliance, do not use abrasive cleaners or solvents
- Leave 10cm of free space between the back and sides of the unit to allow for ventilation of the cooling

system.

- In order to store your wines at a stable temperature, avoid leaving the door open for too long.
- Do not install your appliance near a heat source and avoid direct sunlight.
- Install your appliance on a flat, clean and stable floor.
- Do not install any other electrical equipment on your appliance.
- To ensure your safety, do not place your appliance in damp places.
- Do not store perishable food in this appliance as the indoor temperature may not be cold enough for proper storage.

- This refrigerating appliance is not intended to be used as a built-in appliance.
- This refrigerating appliance is not suitable for freezing foodstuffs.
- This appliance is intended to be used in household and similar applications but not in the following cases:
 - staff kitchen areas in shops, offices and other working environments;
 - farm houses and by clients in hotels, motels and other residential type environments;
 - bed and breakfast type environments;
 - catering and similar non-retail applications.
- This device is designed for use inside a house or

apartment. It is essential that the temperature of the room in which it is used is not lower than 16° C or higher than 32°C for optimal use.

- Children aged from 3 to 8 years are allowed to load and unload refrigerating appliances.
- This appliance may be used by children of at least 8 years of age, as long as they are supervised and have been given instructions about using the appliance safely and are fully aware of the dangers involved.
- Cleaning and maintenance should not be carried out by children unless they are at least 8 years of age and are supervised by an adult.
- Keep the appliance and its power cord out of reach of

children under 8 years of age.

- When using electrical equipment, safety precautions must always be taken to prevent the risk of fire, electric shock and/or injury in the event of misuse.
- Make sure that the voltage rating on the typeplate corresponds to your main voltage of your installation. If this is not the case, contact the dealer and do not connect the unit.
- The device must not be used if it has been dropped, if obvious signs of damage are visible or if it has leaks.
- Please keep this document at hand and give it to the future owner in case of transfer of your device
- This appliance may be used by persons with reduced

physical, sensory or mental capabilities or lack of experience or knowledge, provided that they are supervised or instructed in the safe use of the appliance and that they fully understand the potential hazards.

- Children shall not play with the appliance.
- Cleaning and user maintenance shall not be made by children without supervision.
- To avoid contamination of food, please respect the following instructions:
 - Opening the door for long periods can cause a significant increase of the temperature in the compartments of the appliance.

- Clean regularly surfaces that can come in contact with food and accessible drainage systems.
- - If the refrigerating appliance is left empty for long periods, switch off, defrost, clean, dry, and leave the door open to prevent mould developing within the appliance.
- Do not store explosive substances such as aerosol cans with a flammable propellant in this appliance.
- If the supply cord is damaged, it must be replaced by the manufacturer, its service agent or similarly qualified persons in order to avoid a hazard.
- The shelves is placed in factory mode that result in the most efficient use of energy for the refrigerating

appliances.

- If food is stored for a long time, it is recommended to wrap it in plastic wrap and set the temperature lower.

By purchasing this appliance, you own a device that combines unique advantages:

- ◆ Less vibration: to preserve the quality of the wines.
- ◆ Small size, taking up less space.

CAUTION: Because the refrigerant gases are combustible, professional service people will be required to dispose of the electric cooler once it is out of use.

WARNING: Do not use this product in a place where children can touch it and do not leave children to use it alone.

Disposal of waste

To avoid any harm to the environment or human health caused by the uncontrolled disposal of electrical waste, recycle the device responsibly to promote the reuse of material resources. Disposal must be done safely at public collection points provided for this purpose.

Older refrigerators may contain CFCs that destroy the ozone layer; contact your nearest waste treatment center for more details on proper disposal procedures.

This appliance contains the coolant isobutene(R600a), a natural gas which is environmentally friendly. Although it is flammable, it does not damage the ozone layer and does not increase the greenhouse effect. The use of this coolant

has, however, led to a slight increase in the noise level of the appliance. You might be able to hear the coolant flowing around the system.

This is unavoidable, and does not have any adverse effect on the performance of the appliance. Care must be taken during the transportation and setting up the appliance that no parts of the cooling system are damaged. Leaking coolant can damage the eyes.

IMPORTANT SAFETY INSTRUCTIONS

Save these instructions-

A wine cellar is the most practical space for storing wines. Its role is to balance the temperature and humidity inside so that your wine does not lose its taste and its aromas. Due to these heavy operations, noises can be heard. Most of the time, this is normal noise.

Before calling technical service for assistance, please read these few lines.

These sounds are completely normal: buzzing, roaring, clicking, cracking ...

When the cellar has just stopped working, you may hear a buzzing, roaring, clicking or squealing noise. When the operation stabilizes, the sounds subside.

For direct cooling, some kind of irregular cracking, hissing, bubbling, crackling can often be heard when the compressor is running for a while or has just stopped.

This sound is caused by the relief of stress due to expansion and contraction when temperature changes, and will not be affected by normal application of the product.

The compressor consists of an electric motor and a compression device. Due to the heat produced during the compression of the refrigerant, it is possible especially in summer when the ambient temperature is higher than heat

is emitted by the cellar. All of these phenomena are normal.

To reduce some noises:

First, make sure your cellar is on a level surface.

Location is important, do not lean the cellar against the wall.

The bottles must be correctly loaded to avoid parasitic vibrations.

The noise may come from the circulation fan, check that nothing is interfering with its operation.

INSTALLATION INSTRUCTIONS

Before Using Your Wine Cooler

Remove the exterior and interior packing.

Before connecting the wine cooler to the power source, let it stand upright for approximately 4 hours. This will reduce the possibility of a malfunction in the cooling system from improper handling during transportation. Clean the interior surface with lukewarm water using a soft cloth.

Installing Your Wine Cooler

This wine cooler is designed to be free standing only, and should not be recessed or built-in.

Allow 5 inches of space between the back and sides of the wine cooler, which allows the proper air ventilation.

Adjust the feet to keep the wine cooler level. Locate the wine cooler away from direct sunlight and sources of heat (stove, heater, radiator, etc.). Direct sunlight may affect the acrylic coating and heat sources may increase electrical consumption. Ambient temperature below 5°C or above 32°C will hinder the performance of this appliance.

Depending on the location of the appliance, the direction of the door opens can be changed.

This unit is not designed for use in a garage or any other outside installation.

Avoid locating the wine cooler in moist areas.

Plug the wine cooler into dedicated, properly installed-grounded wall outlet. Do not under any circumstances cut or remove the third (ground) prong from the power cord. Any questions concerning power and/or grounding should be directed toward a certified electrician or an authorized service center.

This unit is not designed to be installed in an RV or used with an inverter.

After plugging the wine cooler into a wall outlet, turn the unit on and allow the unit to cool down for 3 ~ 4 hours under before placing wine bottles or beverages in the appliance.

WARNING: Keep ventilation openings in the appliance enclosure, clear of obstruction.

Electrical Connection



Improper use of the grounded plug can result in the risk of electrical shock. If the power cord is damaged, have it replaced by an authorized service center.

This wine cooler should be properly grounded for your safety. The power cord of this wine cooler is equipped with a three-prong plug which mates with standard three prong wall outlets to minimize the possibility of electrical shock.

Do not, under any circumstances, cut or remove the third ground prong from the power cord supplied. This wine cooler requires a standard 220-240 Volt A.C. /50Hz electrical outlet with three-prong ground.

This wine cooler is not designed to be used with an inverter.

The cord should be secured behind the wine cooler and not left exposed or dangling to prevent accidental injury.

Never unplug the wine cooler by pulling the power cord. Always grip the plug firmly and pull straight out from the receptacle.

Do not use an extension cord with this appliance. If the power cord is too short, have a qualified electrician or service technician install an outlet near the appliance. Use of an extension cord can negatively affect the performance of the unit.

Do not use electrical appliances inside the food storage compartments of the appliance, unless they are of the type recommended by the manufacturer.

Do not store explosive substances such as aerosol cans with a flammable propellant in this appliance.

WARNING: Do not damage the refrigerant circuit.



WARNING: Risk of fire/flammable materials

OPERATING YOUR APPLIANCE

Temperature Control

Control Panel

The control panel is located at the top of the door.



LIGHT BUTTON

To turn the inner light on or off.

TEMPERATURE SET BUTTON(UP BUTTON)

Used to increase (warm) the set temperature by 1°C or 1°F.

TEMPERATURE SET BUTTON(DOWN BUTTON)

Used to lower (cool) the set temperature by 1°C or 1°F.

SELECTOR DISPLAY

Choose to display temperatures in Celsius or Fahrenheit.

SELECT THE TEMPERATURE

Your wine cellar has one single compartment. The temperature can be chosen between 4°C and 18°C (39° and 65°F). It is recommended to set the temperature in the lower of 12°C to 18°C (55-64°F) range which is ideal for storing red wines and to adjust to between 4 and 12°C (39-55°F) range suitable for champagnes and white wines.

Description of the product features

1) Control panel

- The control panel is located at the top of the appliance, it is very easy to set the temperature of the appliance and see what temperature the appliance is set to.

2) Interior light

- The wine cooler has an interior light. The light can be switched on and off by using the light control button.

3) The wine cooler shelves

- The shelves are fully adjustable to suit various wine bottle shapes and sizes.
- To prevent damaging the door gasket, make sure the door is fully open when pulling shelves out of the rail compartment.
- The shelves are placed in factory mode that result in the most efficient use of energy for the refrigerating appliances.

Using Your Wine Cooler

Before switching on

- Make sure that it has been installed by a suitably qualified person, as per the information contained in the installation instructions.
- After delivery, wait for four hours before connecting the appliance to your mains supply. This will allow any refrigerant gasses that may have been disturbed during the transportation process to settle.
- The outside of the appliance and the removable accessories contained within it, should be cleaned with a solution of liquid detergent and water.
- The interior of the appliance should be cleaned with a solution of sodium bicarbonate dissolved in lukewarm water. The interior and accessories should be thoroughly dried, after the cleaning process has been completed.
- There can be an odor when you first switch on the appliance. It will lessen as the appliance starts to cool.

During first use

IMPORTANT: When you use the wine cooler for the first time or restart the appliance after it has been turned off for a long time, there could be a few degrees variance between the temperature you select and the one indicated on the LED display. This is normal and it is due to the length of activation time. Once the wine cooler has been running for a few hours everything will be back to normal.

- When you first switch on the appliance, the compressor will run continuously until the wine cooler reaches a cool enough temperature.
- During this period of time, you should try not to open the door frequently or place bottles inside of the appliance.
- If the unit is switched off or unplugged, you must allow at least 5 minutes before restarting the appliance or reconnecting it to your mains supply.

Loading the wine cooler



IMPORTANT: Your appliance is ideally suited to store 0.75 liter Bordeaux style wine bottles. Whilst it can store larger bottles, you must make sure that they do not prevent the door from shutting properly.

- Always check that you can close the door without it fouling on a wine bottle, before shutting it.
- When loading several bottles of wine at once, it will take longer for the appliance to cool the individual bottles.
- As many bottles may differ in size and dimensions, the actual number of bottles you are able to store may vary.
- The maximum storage number is based on standard 0.75 liter Bordeaux style wine bottles.

Storing your wines

The chart below indicates the ideal storage temperatures for different types of wine:

The Wine Cooler is recommended to be designed at 12°C.

| <i>Type of wine</i> | <i>Temperature (Celsius)</i> | <i>Temperature (Fahrenheit)</i> |
|---------------------------|------------------------------|---------------------------------|
| Red wine | 15 – 18°C | 58 – 65°F |
| White wine | 9 - 14°C | 48 – 79°F |
| Sparkling wines/champagne | 4 – 8°C | 39 – 47°F |

Note: Setting the temperature too high can cause the wine to spoil, and setting the temperature too low can waste electricity.

- Temperature stability is the most important factor when it comes to storing wine.
- Exposure to light, vibrations or fluctuations in temperature and humidity can all cause wine to spoil. When properly stored, wines not only maintain their quality but many will actually improve in aroma, flavor and complexity as they mature.
- Wines kept at a higher temperature will age faster. Wine that is exposed to temperatures that are greater than 18°C (64°F) will suffer from poorer flavor and aroma.
- If wine is kept at too low a temperature, this can result in the development of harmful deposits. A humidity of 60%~70% is ideal for keeping corks from shrinking.
- After a bottle of wine has been opened, the wine comes into contact with air. So it is best to store the remainder of the bottle upright, to minimize the surface area of the wine that is coming into contact with the air.
- Once opened, wine will remain in a drinkable condition for two days for delicate whites or three days for rich reds, as long as the bottle has been resealed. You should make sure that the seal is firm by checking the stopper.
- Special stoppers that keep wine sparkling and Champagne bubbling for one or two days after opening, can be bought at most good wine shops.
- When stored correctly, white wines can keep well for up to two years. Full bodied reds will age well for ten years and dessert wines will age well for up to twenty years.
- When you buy a bottle of wine, you should transfer it to a suitable storage location immediately (if you are not going to store it in your wine cooler).
- Cheaper bottles of wine will not age as well as more expensive ones.

- To make the most of the bouquet and taste of your wine, never fill more than half a glass at a time. It will also help if the shape of your wine glass is appropriate for your wine. The size and shape of your wine glass's bowl will determine the intensity and complexity of the bouquet. The stem should be long enough to allow you to avoid hand contact with the bowl of the glass and should be tulip-shaped or tapered at the top.

CARE AND MAINTENANCE

Cleaning Your Appliance

- ★ Upon installation of your new appliance, it is recommended that it be cleaned thoroughly.
- ★ Turn off the wine cooler first and then unplug the unit from the wall outlet.
- ★ Remove all contents.
- ★ Wash the inside with a damp warm cloth soaked in lukewarm water and baking soda solution. The solution should be about 2 tablespoons of baking soda to a quart of water.
- ★ Be sure to keep the door gasket (seal) clean to keep the unit running efficiently.
- ★ The outside of the wine cooler should be cleaned with mild detergent and warm water.
- ★ Dry the interior and exterior with a soft cloth.
- ★ Dust or anything else blocking the vent may hinder the cooling efficiency of the appliance. Vacuum the vent if necessary.

Vacation Time

- ★ Turn off the wine cooler first and then unplug the unit from the wall outlet.
- ★ Remove all the contents.
- ★ Clean the appliance.

- ★ Leave the lid open slightly to avoid possible formation of condensation, mold, or odors.
- ★ Short vacations: Leave the wine cooler operating during vacations of less than three weeks.
- ★ Long vacations: If the wine cooler will not be used for several months, remove all content and unplug the power cord. Clean and dry the interior thoroughly. To prevent odor and mold growth, leave the door open slightly: blocking it open if necessary.

Moving Your Appliance

- ★ Turn off the wine cooler first and then unplug the unit from the wall outlet.
- ★ Remove all the contents.
- ★ Securely tape down all loose items inside your appliance.
- ★ Tape the doors shut.

Energy Saving Tips

- ★ The wine cooler should be located in the coolest area of the room, away from heat producing appliances or heating ducts, and out of the direct sunlight.
- ★ Ensure that door is properly closed when the wine cooler is turned on.

TROUBLESHOOTING GUIDE

You can solve many common wine cooler problems easily, saving you the cost of a possible service call. Try the suggestions below to see if you can solve the problem before calling for service.

| PROBLEM | POSSIBLE CAUSE |
|-------------------------------------------------|--------------------------------------------------------------------------------------------------------------------------------------------------------------------------------------------------------------------------------------------------------------------------------------------------------------------------------------------------------------------------------------------------------------------------------------------------------------------------------------------------------------------|
| Wine cooler does not operate. | Not plugged in. The circuit breaker tripped or a blown fuse. |
| Temperature inside the wine cooler is too warm. | Temperature control is set too warm. Turn the control to a cooler setting and allow several hours for the temperature to stabilize. Door is kept open too long or is opened too frequently. Warm air enters the wine cooler every time the door is opened. Open the door less often. The door is not closed completely. The door gasket does not seal properly. The wine cooler has recently been disconnected for a period of time. 4 hours are required for the wine cooler to cool down completely. |
| Temperature inside the wine cooler is too cold. | Temperature control is set too cold. Turn the control to a warmer setting and allow several hours for the temperature to stabilize. |
| Vibrations. | Check to assure that the wine cooler is on a level surface. The wine cooler is touching the wall. Re-level the wine cooler and move it from the wall. If continued vibration occurs, turn off the wine cooler and unplug the power plug. Contact Customer Service Dept. for further assistance. |
| Moisture forms on inside wine cooler walls. | Door is slightly open. Door is kept open too long, or is opened too frequently. Open the door less often. The door is not sealed properly. |
| Moisture forms on outside of appliance. | Door is slightly open, causing cold air from inside the wine cooler to meet warm moist air from outside. |
| The door will not close properly. | The wine cooler is not on a level surface. The gasket is dirty. |

ENVIRONMENT

CAUTION:

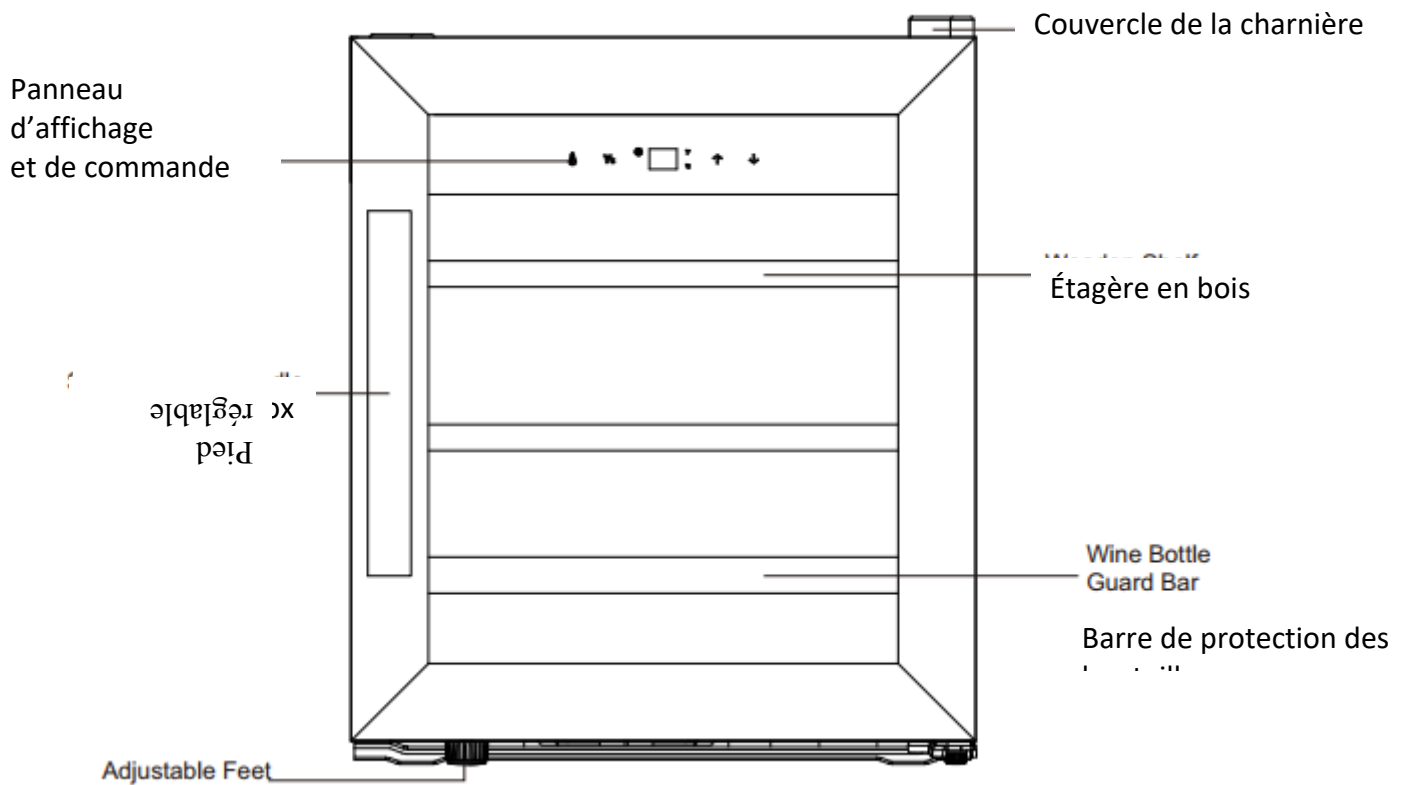


Do not dispose of this product as it has with other household products. There is a separation of this waste product into communities, you will need to inform your local authorities about the places where you can return this product. In fact, electrical and electronic products contain hazardous substances that have harmful effects on the environment or human health and should be recycled. The symbol here indicates that electrical and electronic equipment should be chosen carefully, a wheeled waste container is marked with a cross.

sav@hkoenig.com - contact@hkoenig.com - Tél: +33 1 64 67 00 05

FRANÇAIS

NOMS DES PIÈCES



CARACTÉRISTIQUES

| | | |
|---------------------------------------|-------|----------------|
| Type | | CAVC15 |
| Volume | | 46 l |
| Matériau x | Fer | Fer |
| | Verre | Verre |
| Dimensions (L x P x H) | | 513*430*480 mm |
| Dimensions de l'emballage (L x P x H) | | 520*465*545 mm |
| Poids net | | 19,3 kg |

| | |
|------------------------------|--------------|
| Poids brut | 21,5 kg |
| Plage de températures | 4°C -18°C |
| Tension nominale | 220-240 V AC |
| Fréquence nominale | 50 Hz |
| Intensité de courant nominal | 0,55 A |

CONSIGNES DE SÉCURITÉ IMPORTANTES

⚡ AVERTISSEMENT ⚡

Pour réduire les risques d'incendie, d'électrocution ou de blessure lors de l'utilisation de votre refroidisseur, respectez ces précautions de base :

Lisez attentivement ce mode d'emploi avant d'utiliser l'appareil et conservez-le en lieu sûr.

- **AVERTISSEMENT** : en installant l'appareil, assurez-vous que le câble d'alimentation ne soit pas coincé ou abîmé.
- **AVERTISSEMENT** : ne placez pas de prise multiple ou de prise d'alimentation portable à l'arrière de l'appareil.
- **ATTENTION**: risque potentiel pour les enfants.
- Avant de jeter votre appareil usagé :

Retirez ses portes et laissez les étagères en place afin

qu'un enfant ne puisse pas facilement monter dedans.

- Ne laissez jamais les enfants utiliser, jouer avec ou grimper dans l'appareil.
- Ne nettoyez jamais les éléments de l'appareil avec des liquides inflammables.
- N'entreposez ni utilisez d'essence ou tout autre liquide ou gaz inflammable à proximité d'un appareil électrique. Les vapeurs peuvent provoquer un incendie ou une explosion.
- Pour nettoyer votre appareil, n'utilisez pas de nettoyeurs abrasifs ou de solvants.
- Laissez 10 cm d'espace autour de l'appareil pour

permettre la ventilation du système de refroidissement.

- Afin de conserver vos bouteilles de vin à une température stable, évitez de laisser la porte ouverte trop longtemps.
- N'installez pas votre appareil à proximité d'une source de chaleur et évitez les rayons directs du soleil.
- Installez votre appareil sur un sol plat, propre et stable.
- N'installez aucun autre équipement électrique sur votre appareil.
- Pour assurer votre sécurité, ne placez pas votre appareil dans des endroits humides.
- Ne gardez pas d'aliments périssables dans cet appareil car la température intérieure peut ne pas être assez

froide pour cela.

- Cet appareil de refroidissement ne doit pas être encastré.
- Cet appareil de refroidissement n'est pas conçu pour congeler les aliments.
- Cet appareil est destiné à un usage domestique ou similaire, mais pas dans les cas suivants :
 - les cuisines pour le personnel dans les magasins, les bureaux et autres environnements de travail ;
 - les exploitations agricoles et les hôtels, les motels et autres environnements de type résidentiel ;
 - les hébergements de type chambre d'hôtes ;
 - les activités de restauration autres que celles de

détail ;

- Cet appareil est conçu pour être utilisé à l'intérieur d'une maison ou d'un appartement. Il est essentiel que la température de la pièce dans laquelle il est utilisé ne soit pas inférieure à 16°C ni supérieure à 32°C pour un fonctionnement optimal.
- Les enfants âgés de 3 à 8 ans ne sont pas autorisés à remplir ou vider cet appareil de refroidissement.
- Cet appareil peut être utilisé par des enfants d'au moins 8 ans, à condition qu'ils soient surveillés et qu'ils aient reçu des instructions sur l'utilisation de l'appareil en toute sécurité et qu'ils soient pleinement conscients des dangers encourus.

- Le nettoyage et l'entretien ne doivent pas être effectués par des enfants, sauf s'ils ont au moins 8 ans et sont surveillés par un adulte.
- Gardez l'appareil et son câble d'alimentation hors de portée des enfants de moins de 8 ans.
- Lors de l'utilisation d'équipements électriques, des précautions doivent toujours être prises pour éviter les risques d'incendie, de décharge électrique et de blessure en cas de mauvaise utilisation.
- Assurez-vous que la tension nominale indiquée sur la plaque signalétique corresponde à la tension principale de votre installation. Si ce n'est pas le cas, contactez le revendeur et ne branchez pas l'appareil.

- L'appareil ne doit pas être utilisé s'il est tombé ou s'il présente des signes évidents de dommages ou des fuites.
- Veuillez conserver ce mode d'emploi en lieu sûr et le remettre au futur propriétaire en cas de transfert de votre appareil.
- Cet appareil peut être utilisé par des personnes dont les capacités physiques, sensorielles ou mentales sont réduites ou dont l'expérience ou les connaissances ne sont pas suffisantes, à condition qu'elles bénéficient d'une surveillance ou qu'elles aient reçu des instructions quant à l'utilisation de l'appareil en toute sécurité et qu'elles en comprennent bien les dangers potentiels.

- Les enfants ne doivent pas jouer avec l'appareil.
- Le nettoyage et l'entretien ne doivent pas être effectués par des enfants laissés sans surveillance.
- Pour éviter la contamination du vin, veuillez respecter les consignes suivantes :
 - L'ouverture prolongée de la porte peut provoquer une augmentation importante de la température intérieure de l'appareil.
 - Nettoyer régulièrement les surfaces pouvant entrer en contact avec les aliments et le système de drainage.
- - Si l'appareil de refroidissement doit être laissé vide pendant de longues périodes, éteignez-le, dégivrez,

nettoyez, séchez et laissez la porte ouverte pour éviter la formation de moisissures dans l'appareil.

- Ne mettez aucune substance explosive comme les aérosols contenant un gaz propulseur inflammable dans cet appareil.
- Si le câble d'alimentation est endommagé, il doit être remplacé par le fabricant, son technicien ou toute personne qualifiée afin d'éviter un accident.
- Les étagères sont disposées en usine afin d'assurer une utilisation plus efficace de l'énergie de l'appareil de refroidissement.
- Si les aliments sont conservés pendant une longue période, il est recommandé de les envelopper dans un

film plastique et de baisser la température.

Cet appareil possède des avantages uniques :

- ◆ Moins de vibrations pour préserver la qualité des vins.
- ◆ Une petite taille qui prend moins de place.

ATTENTION : Étant donné que les gaz réfrigérants sont combustibles, vous devrez faire appel à un professionnel pour les retirer de l'appareil avant de vous en débarrasser.

AVERTISSEMENT : N'installez pas ce produit dans un endroit où les enfants peuvent le manipuler et ne les laissez pas l'utiliser seuls.

Mise au rebut

Pour éviter tout dommage à l'environnement ou à la santé humaine causé par l'élimination incontrôlée des déchets électriques, recyclez l'appareil de manière responsable afin de permettre la réutilisation des composants. L'élimination doit se faire en toute sécurité dans les points de collecte publics prévus à cet effet.

Les réfrigérateurs plus anciens peuvent contenir des CFC qui détruisent la couche d'ozone; contactez votre centre de traitement des déchets le plus proche pour plus de détails sur les procédures d'élimination appropriées.

Cet appareil contient du liquide de refroidissement isobutane (R600a), un gaz naturel respectueux de

l'environnement. Bien qu'il soit inflammable, il n'endommage pas la couche d'ozone et n'augmente pas l'effet de serre. L'utilisation de ce liquide de refroidissement a cependant conduit à une légère augmentation du niveau sonore de l'appareil. Vous pourriez peut-être entendre le liquide de refroidissement s'écouler dans le système.

Ceci est inévitable et n'a aucun effet négatif sur les performances de l'appareil. Lors de son transport et de son installation, il faut veiller à ce qu'aucune pièce du système de refroidissement ne soit endommagée. Une fuite du liquide de refroidissement peut abîmer les yeux.

- Conservez ces instructions -

Une cave à vin est l'espace le plus pratique pour stocker les vins. Son rôle est d'équilibrer la température et l'humidité à l'intérieur afin que votre vin ne perde pas son

goût et ses arômes.

En raison de ces opérations lourdes, des bruits peuvent se faire entendre. Le plus souvent, ces bruits sont normaux. Avant de faire appel au service technique pour obtenir de l'aide merci de prendre connaissance de ces quelques lignes.

Ces sons sont tout à fait normaux : bourdonnement, grondement, cliquetis, craquement...

Lorsque la cave vient de s'arrêter de fonctionner, il se peut qu'un bourdonnement, un grondement, des cliquetis ou bruit strident se fassent entendre. Lorsque l'opération se stabilise les sons s'atténuent.

Pour le refroidissement direct, une sorte de bruit de fissure irrégulier, un sifflement, un bouillonnement, un craquement peut souvent être entendu lorsque le compresseur fonctionne pendant un certain temps ou vient de s'arrêter. Ce son est causé par le soulagement du stress dû à l'expansion et à la contraction lorsque la température change, et ne sera pas affecté l'application normale du produit.

Le compresseur se compose d'un moteur électrique et d'un appareil de compression. En raison de la chaleur produite lors de la compression du réfrigérant, il est possible surtout en été lorsque la température ambiante est plus élevée que de la chaleur soit émise de la cave. Tous ces phénomènes sont normaux.

Pour réduire certains bruits :

Dans un premier temps, vérifiez que votre cave soit sur une surface plane.

L'emplacement a son importance, ne pas plaquer la cave contre le mur.

Le chargement des bouteilles doit être bien fait pour éviter les vibrations parasites.

Le bruit peut provenir du ventilateur de brassage, vérifiez que rien ne gêne son fonctionnement.

INSTRUCTIONS D'INSTALLATION

Avant d'utiliser votre refroidisseur de vin

Retirez l'emballage extérieur et intérieur.

Avant de brancher le refroidisseur de vin, laissez-le reposer pendant environ 4 heures. Ceci réduira la possibilité d'un mauvais fonctionnement du système de refroidissement après le transport. Nettoyez la surface intérieure à l'eau tiède avec un chiffon doux.

Installation de votre refroidisseur de vin

Ce refroidisseur de vin est conçu pour être indépendant et ne doit pas être encastré ou intégré.

Prévoyez 10 cm d'espace autour du refroidisseur de vin pour permettre une bonne ventilation. Ajustez les pieds pour que le refroidisseur de vin soit bien horizontal. Placez-le à l'abri du soleil direct et des sources de chaleur (poêle, radiateur, four, etc.). La lumière directe du soleil peut affecter le revêtement acrylique et les sources de chaleur peuvent augmenter la consommation électrique. Une température ambiante inférieure à 5°C ou supérieure à 32°C nuira aux performances de cet appareil.

Selon l'emplacement de l'appareil, le sens d'ouverture de la porte peut être modifié.

Cet appareil n'est pas conçu pour être utilisé dans un garage ou toute autre emplacement extérieur.

Évitez de placer le refroidisseur de vin dans une zone humide.

Branchez le refroidisseur de vin à une prise murale homologuée et mise à la terre. Ne jamais supprimer la troisième broche reliée à la terre de la fiche. Toute question concernant l'alimentation et/ou la mise à la terre doit être posée à un électricien certifié ou à un centre technique agréé.

Cet appareil n'est pas conçu pour être installé dans un camping-car ou utilisé avec un onduleur.

Après avoir branché le refroidisseur de vin à une prise murale, allumez-le et laissez-le refroidir pendant 3 à 4 heures avant de placer des bouteilles de vin ou des boissons à l'intérieur.

AVERTISSEMENT : ne bouchez pas les ouvertures de ventilation de l'appareil.

Raccordement électrique

ATTENTION

Un mauvais branchement de la prise de terre peut se traduire par une électrocution. Si le câble d'alimentation est endommagé, faites-le remplacer par un centre technique agréé.

Ce refroidisseur de vin doit être correctement mis à la terre pour votre sécurité. Le câble d'alimentation de ce refroidisseur de vin est équipé d'une fiche à trois broches qui se branche dans des prises de terre murales standard pour réduire le risque de choc électrique.

Ne jamais supprimer la troisième broche reliée à la terre de la fiche. Ce refroidisseur de vin nécessite une prise électrique standard de 220-240 volts AC / 50 Hz avec une fiche à trois broches.

Ce refroidisseur de vin n'est pas conçu pour être utilisé avec un onduleur.

Le câble doit être fixé derrière le refroidisseur de vin et ne pas traîner ou pendre pour éviter un accident.

Ne débranchez jamais l'appareil en tirant sur le câble d'alimentation. Tenez fermement la fiche et tirez-la bien droit hors de la prise.

N'utilisez pas de rallonge avec cet appareil. Si le câble d'alimentation est trop court, demandez à un électricien qualifié d'installer une prise près de l'appareil. L'utilisation d'une rallonge peut affecter les performances de l'appareil.

N'utilisez pas d'appareils électriques à l'intérieur des compartiments du refroidisseur de vin, sauf s'ils sont du type recommandé par le fabricant.

Ne gardez aucune substance explosive comme celles des aérosols contenant un gaz propulseur inflammable dans cet appareil.

AVERTISSEMENT— *Veillez à ne pas endommager le circuit réfrigérant.*



ATTENTION : Risque d'incendie / Matériaux inflammables

FONCTIONNEMENT DE VOTRE APPAREIL

Contrôle de la température

Panneau de commande

Le panneau de commande est situé en haut de la porte.



BOUTON DE LA LUMIÈRE



Pour allumer ou éteindre la lumière intérieure.

AUGMENTATION DE LA TEMPÉRATURE



Ce bouton permet d'augmenter la température de 1°C ou 1°F à chaque pression.

DIMINUTION DE LA TEMPÉRATURE ↓

Ce bouton permet de diminuer la température de 1°C ou 1°F à chaque pression.

SÉLECTEUR

Ce bouton permet d'afficher les températures en degrés Celsius ou Fahrenheit.

SÉLECTION DE LA TEMPÉRATURE

Votre refroidisseur de vin comporte un seul compartiment. La température peut être établie entre 4°C et 18°C (39° et 65°F). Il est recommandé de régler la température dans la plage inférieure de 12°C à 18°C (55-64°F), ce qui est idéal pour conserver les vins rouges et de la régler entre 4 et 12°C (39-55°F) pour les champagnes et les vins blancs.

Description des caractéristiques du produit

1. Tableau de commande

- Le tableau de commande est situé en haut de l'appareil. Il est très facile de régler la température et de l'afficher.

2. Éclairage intérieur

- Le refroidisseur de vin a une lampe intérieure qui peut être allumée et éteinte à l'aide du bouton de commande de la lumière.

3) Étagères du refroidisseur de vin

- Les étagères sont entièrement réglables pour s'adapter aux différentes formes et tailles des bouteilles de vin.
- Pour éviter d'endommager le joint de la porte, assurez-vous qu'elle soit complètement ouverte lorsque vous retirez les étagères du compartiment.
- Les étagères sont disposées en usine, ce qui permet une utilisation plus efficace de l'énergie de l'appareil de refroidissement

Utilisation du refroidisseur de vin

Avant le branchement

- Assurez-vous qu'il a été installé par une personne qualifiée, conformément aux informations contenues dans le mode d'emploi.
- Après la livraison, attendez quatre heures avant de brancher l'appareil. Cela permettra au gaz réfrigérant de se reposer après le transport.
- L'extérieur de l'appareil et les accessoires amovibles qu'il contient doivent être nettoyés avec une solution de détergent liquide et de l'eau.
- L'intérieur de l'appareil doit être nettoyé avec une solution de bicarbonate de soude dissoute dans de l'eau tiède. L'intérieur et les accessoires doivent être soigneusement séchés une fois le nettoyage terminé.
- Il peut y avoir une odeur lorsque vous allumez l'appareil pour la première fois. Elle diminuera au fur et à mesure qu'il commencera à refroidir.

Première utilisation

IMPORTANT : Lorsque vous utilisez le refroidisseur de vin pour la première fois ou que vous le redémarrez après qu'il ait été éteint pendant une longue période, il peut y avoir un écart de quelques degrés entre la température que vous sélectionnez et celle indiquée sur l'écran LED. Ceci est normal et est dû à la longueur du temps d'activation. Une fois que le refroidisseur de vin aura fonctionné pendant quelques heures, tout redeviendra normal.

- Lorsque vous allumez l'appareil pour la première fois, le compresseur fonctionnera en continu jusqu'à atteindre une température suffisamment froide.
- Pendant cette période, vous devez éviter d'ouvrir la porte fréquemment ou de placer des bouteilles à l'intérieur de l'appareil.
- Si l'appareil est éteint ou débranché, vous devez attendre au moins 5 minutes avant de le redémarrer ou de le rebrancher.

Remplissage du refroidisseur de vin



IMPORTANT : votre appareil est conçu pour accueillir des bouteilles de Bordeaux de 0,75 litre. Bien qu'il puisse stocker des bouteilles plus grandes, vous devez néanmoins vous assurer qu'elles n'empêchent pas la porte de se fermer correctement.

- Vérifiez toujours que vous pouvez fermer la porte sans qu'elle heurte une bouteille de vin.
- Lors du placement de plusieurs bouteilles de vin, l'appareil mettra plus de temps à les refroidir.
- Comme de nombreuses bouteilles peuvent différer en taille et en dimensions, le nombre réel de bouteilles que vous pouvez stocker peut varier.
- Le nombre maximum de bouteilles que peut contenir l'appareil est basé sur des bouteilles de Bordeaux standard de 0,75 litre.

Conservation de vos vins

Le tableau ci-dessous indique les températures de conservation idéales pour différents types de vins :

Il est recommandé que le refroidisseur de vin soit réglé sur 12°C .

| <i>Type de vin</i> | <i>Température (Celsius)</i> | <i>Température (Fahrenheit)</i> |
|-------------------------|------------------------------|---------------------------------|
| Vin rouge | 15 - 18°C | 58 - 65°F |
| Vin blanc | 9 - 14°C | 48 - 79°F |
| Vins mousseux/champagne | 4 - 8°C | 39 - 47°F |

Remarque : si vous réglez une température trop élevée, le vin peut se gâter et si vous réglez une température trop basse, vous gaspillerez de l'électricité.

- La stabilité de la température est le facteur le plus important lorsqu'il s'agit de conserver le vin.
- L'exposition à la lumière, aux vibrations ou aux fluctuations de température et d'humidité peuvent détériorer le vin. S'ils sont correctement conservés, les vins gardent non seulement leur qualité, mais beaucoup s'améliorent en fait en arôme, en saveur et en complexité à mesure qu'ils mûrissent.
- Les vins conservés à une température plus élevée vieilliront plus rapidement. Un vin soumis à des températures supérieures à 18°C (64°F) manquera de saveur et d'arôme.
- Si le vin est conservé à une température trop basse, cela peut entraîner le développement de dépôts nocifs. Une hygrométrie de 60 à 70° est idéale pour empêcher les bouchons de rétrécir.
- Après l'ouverture d'une bouteille, le vin entre en contact avec l'air. Il est donc préférable de stocker ensuite

- la bouteille en position verticale, afin de minimiser la surface du vin en contact avec l'air.
- Une fois la bouteille ouverte, le vin restera buvable pendant deux jours pour les blancs délicats ou trois jours pour les rouges corsés, tant que la bouteille a été refermée avec un bouchon à vin sous vide. Vous devez vous assurer qu'il soit bien étanche.
- Des bouchons spéciaux, qui gardent le vin et le champagne pétillant pendant un ou deux jours après l'ouverture, peuvent être achetés chez la plupart des bons cavistes.
- Bien conservés, les vins blancs peuvent se garder pendant au moins deux ans. Les rouges corsés vieilliront bien pendant dix ans et les vins moelleux jusqu'à vingt ans.
- Lorsque vous achetez une bouteille de vin, vous devez la ranger immédiatement dans un endroit approprié (si vous ne comptez pas la mettre dans votre refroidisseur de vin).
- Les bouteilles de vin moins chères ne vieilliront pas aussi bien que les plus chères.
- Pour profiter au mieux du bouquet et du goût de votre vin, ne remplissez jamais plus d'un demi-verre à la fois. Cela sera aussi meilleur si la forme de votre verre est adaptée à votre vin. La taille et la forme du bol de votre verre à vin déterminent l'intensité et la complexité du bouquet. La tige doit être suffisamment longue pour vous permettre d'éviter de toucher le bol du verre qui doit être en forme de tulipe ou conique au sommet.

ENTRETIEN ET MAINTENANCE

Nettoyage de votre appareil

★ Lors de l'installation de votre nouvel appareil, il est recommandé de le nettoyer à fond.

★ Éteignez d'abord le refroidisseur à vin, puis débranchez-le de la prise murale.

★ Videz l'appareil.

★ Lavez l'intérieur avec un chiffon imbibé d'eau tiède et d'une solution de bicarbonate de soude.

Les proportions doivent être d'environ 2 cuillères à soupe de bicarbonate de soude pour un 1/4 l d'eau.

★ Assurez-vous de garder le joint d'étanchéité de la porte bien propre pour que l'appareil fonctionne efficacement.

★ L'extérieur du refroidisseur de vin doit être nettoyé avec un détergent doux et de l'eau tiède.

★ Essuyez l'intérieur et l'extérieur avec un chiffon doux.

★ La poussière ou tout autre élément obstruant la grille d'aération peut nuire au refroidissement de l'appareil. Passez l'aspirateur sur la grille si nécessaire.

Période de vacances

- ★ Éteignez d'abord le refroidisseur de vin, puis débranchez-le de la prise murale.
- ★ Videz l'appareil.
- ★ Nettoyez l'appareil.
- ★ Laissez la porte légèrement ouverte pour éviter la formation possible de condensation, de moisissures ou d'odeurs.
- ★ Vacances courtes : laissez le refroidisseur de vin fonctionner pendant les vacances de moins de trois semaines.
- ★ Vacances longues : si le refroidisseur de vin n'est pas utilisé pendant plusieurs mois, retirez tout le contenu et débranchez le câble d'alimentation. Nettoyez à fond et séchez l'intérieur. Pour éviter la formation d'odeurs et de moisissures, laissez la porte légèrement ouverte, en la bloquant si nécessaire.

Déplacement de votre appareil

- ★ Éteignez d'abord le refroidisseur de vin, puis débranchez-le de la prise murale.
- ★ Retirez tout le contenu.
- ★ Fixez solidement tous les objets situés à l'intérieur de votre appareil.
- ★ Scotchez les portes.

Économie d'énergie

- ★ Le refroidisseur de vin doit être placé dans la zone la plus fraîche de la pièce, loin des appareils produisant de la chaleur ou des conduits de chauffage, et à l'abri de la lumière directe du soleil.
- ★ Assurez-vous que la porte soit bien fermée lorsque le refroidisseur de vin est allumé.

GUIDE DE DÉPANNAGE

Vous pouvez résoudre facilement de nombreux problèmes courants liés à votre refroidisseur de vin, ce qui vous permet d'économiser le coût d'un éventuel dépannage.

Essayez les suggestions ci-dessous pour voir si vous pouvez résoudre le problème avant d'appeler un dépanneur.

| PROBLÈME | CAUSE ÉVENTUELLE |
|-------------------------------------------|------------------------------------------------------------------------------------|
| Le refroidisseur à vin ne fonctionne pas. | L'appareil est débranché. Le disjoncteur s'est déclenché ou un fusible a sauté. |

| | |
|------------------------------------------------------------------------------|--------------------------------------------------------------------------------------------------------------------------------------------------------------------------------------------------------------------------------------------------------------------------------------------------------------------------------------------------------------------------------------------------------------------------------------------------------------------------------------------------------------------------------------------------------------------------------------------------------------------------------------------|
| <p>La température à l'intérieur du refroidisseur de vin est trop élevée.</p> | <p>Le contrôle de la température est réglé trop chaud. Tournez la commande vers un réglage plus froid et attendez plusieurs heures pour que la température se stabilise.</p> <p>La porte est restée ouverte trop longtemps ou est ouverte trop fréquemment. De l'air chaud entre dans le refroidisseur de vin à chaque fois que la porte est ouverte. Ouvrez moins souvent la porte.</p> <p>La porte n'est pas complètement fermée.</p> <p>Le joint de la porte n'isole pas correctement.</p> <p>Le refroidisseur de vin a été débranché pendant un certain temps. Quatre heures sont nécessaires pour qu'il refroidisse complètement.</p> |
| <p>La température à l'intérieur du refroidisseur de vin est trop froide.</p> | <p>Le contrôle de la température est réglé trop froid. Tournez la commande sur un réglage plus chaud et attendez plusieurs heures pour que la température se stabilise.</p> |
| <p>L'appareil vibre.</p> | <p>Assurez-vous que le refroidisseur de vin soit sur une surface plane.</p> <p>Le refroidisseur de vin touche le mur. Le remettre à niveau et l'éloigner du mur.</p> <p>Si les vibrations continuent, éteignez le refroidisseur à vin et débranchez-le. Contactez le service client.</p> |
| <p>De l'humidité se forme à l'intérieur du refroidisseur de vin.</p> | <p>La porte est légèrement ouverte.</p> <p>La porte est restée ouverte trop longtemps ou est ouverte trop fréquemment. Ouvrez la porte moins souvent.</p> <p>La porte n'est pas étanche.</p> |
| <p>De l'humidité se forme à l'extérieur de l'appareil.</p> | <p>La porte est légèrement ouverte permettant à l'air froid de sortir et de rencontrer l'air chaud et humide de l'extérieur.</p> |
| <p>La porte ne ferme pas correctement.</p> | <p>Le refroidisseur de vin n'est pas sur une surface plane. Le joint est sale.</p> |

ENVIRONNEMENT

ATTENTION :



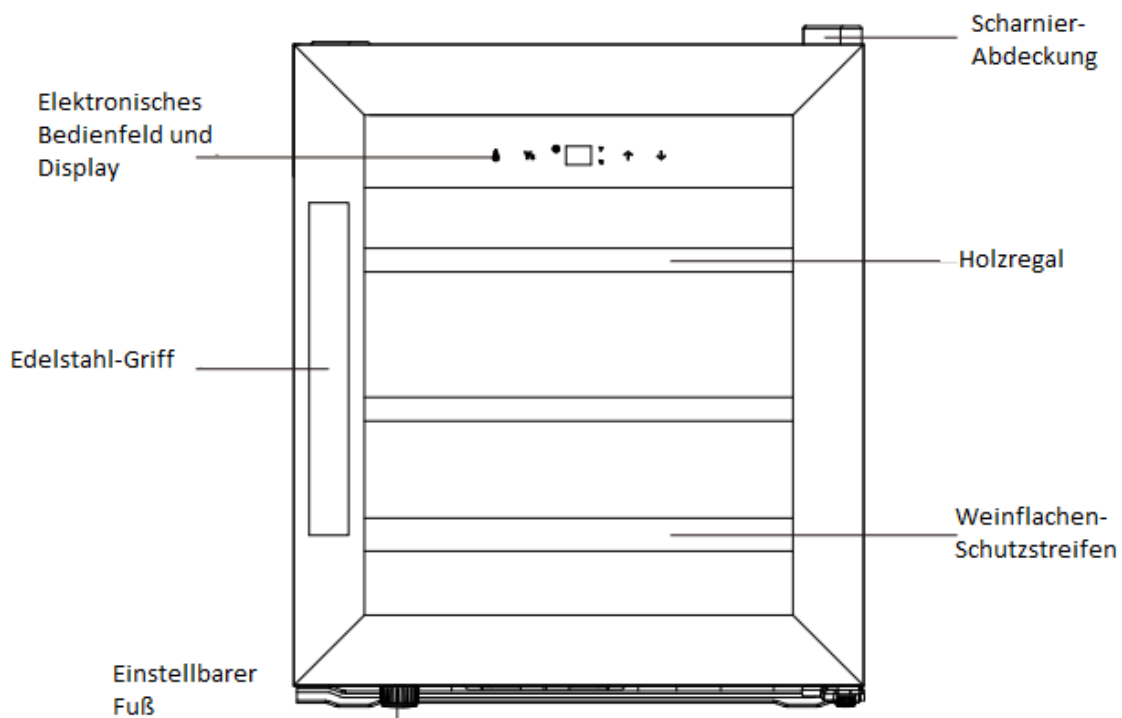
Vous ne devez pas vous débarrasser de cet appareil avec vos déchets ménagers. Un système de collecte sélective pour ce type de produit est mis en place par les communes, vous devez vous renseigner auprès de votre mairie afin d'en connaître les emplacements.

En effet, les produits électriques et électroniques peuvent contenir des substances dangereuses qui ont des effets néfastes sur l'environnement ou la santé humaine et doivent être recyclés. Le symbole ci-contre indique que les équipements électriques et électroniques font l'objet d'une collecte sélective, il représente une poubelle sur roues barrée d'une croix.

Adeva SAS / H.Koenig Europe - 8 rue Marc Seguin, 77290 Mitry-Mory, France
www.hkoenig.com - <https://sav.hkoenig.com> - Tél: +33 1 64 67 00 05

DEUTSCH

TEILENBEZEICHNUNG



SPEZIFIKATIONEN

| | | |
|-------------------------------------|-------|---------------|
| Typ | | CAVC15 |
| Umfang (Liter) | | 46L |
| Materia I | Eisen | Eisen |
| | Glas | Glas |
| Einheitsabmessungen (B×T×H)(mm) | | 513*430*480mm |
| Verpackungsabmessungen (B×T×H)(mm) | | 520*465*545mm |
| Netto-Gewicht (Kg) | | 19.3 KG |
| Brutto-Gewicht (Kg) | | 21.5 KG |
| Temperaturbereich | | 4°C-18°C |
| Nennspannung | | 220-240VAC |
| Nennfrequenz | | 50Hz |

Nennstrom

0.55A

WICHTIGE SICHERHEITSANWEISUNGEN

⚡ WARNUNG ⚡

Um das Risiko eines Brandes, eines Stromschlages oder Verletzungen bei der Nutzung des Gerätes zu vermeiden, folgen Sie bitte diesen grundlegenden Vorsichtsmaßnahmen:

Lesen Sie diese Bedienungsanweisungen vor der Nutzung sorgfältig und bewahren Sie diese als künftige Referenz auf.

- **WARNUNG:** Wenn Sie das Gerät positionieren, vergewissern Sie sich, dass das Stromkabel nicht gefangen oder beschädigt ist.
- **WARNUNG:** Platzieren Sie keine tragbaren Mehrfachsteckdosen oder tragbaren Netzteile hinter dem Gerät.
- **WARNUNG:** Einklemmrisiko für Kinder.
- Bevor Sie Ihr Gerät entsorgen:
Nehmen Sie alle Türe ab und lassen Sie die Regale im Kühlschrank, damit keine Kinder einfach in das Gerät

klettern können.

- Erlauben Sie Kindern niemals das Gerät zu bedienen, damit zu spielen oder in das Gerät zu klettern.
- Reinigen Sie die Teile des Gerätes niemals mit entflammbaren Flüssigkeiten.
- Benutzen oder Lagern Sie kein Benzin oder keine anderen entflammbaren Stoffe oder Gase in der Nähe von diesem oder anderen Geräten. Dämpfe stellen eine Explosionsgefahr dar.
- Benutzen Sie keine abrasiven Reinigungs- oder Lösungsmittel, um das Gerät zu reinigen.
- Lassen Sie einen 10 cm Abstand zu dem Hinterteil und den Seiten des Gerätes, um eine Belüftung des Kühlsystems zu ermöglichen.
- Um Ihre Weine bei einer stabilen Temperatur zu lagern, vermeiden Sie es, die Tür für zu lange offen zu

lassen.

- Installieren Sie Ihr Gerät nicht in der Nähe von Hitzequellen und vermeiden Sie direkte Sonneneinstrahlung.
- Installieren Sie Ihr Gerät auf einer flachen, sauberen und stabilen Bodenfläche.
- Platzieren Sie keine elektrischen Geräte auf Ihrem Gerät.
- Um Ihre Sicherheit zu gewährleisten, platzieren Sie Ihr Gerät nicht an feuchten Stellen.
- Lagern Sie keine verderblichen Lebensmittel in diesem Gerät, da die Innentemperatur nicht ausreichend kalt für eine sachgemäße Lagerung sein könnte.
- Dieses Kühlgerät ist nicht dafür geeignet, als ein eingebautes Gerät benutzt zu werden.
- Dieses Kühlgerät ist nicht zum Einfrieren von

Lebensmitteln geeignet.

- Dieses Gerät ist nur für die Haushaltsnutzung und gleichartigen häuslichen Anwendungen geeignet, wie zum Beispiel:
 - in Küchenbereichen für Mitarbeiter in Geschäften, Büros und anderen Arbeitsumgebungen;
 - in Bauerhäusern oder von den Gästen in Hotels, Motels und anderen Wohnumgebungen;
 - in Bed and Breakfast- Einrichtungen;
 - beim Catering und in ähnlichen Non-Retail Anwendungsbereichen.
- Dieses Gerät ist für die Innennutzung in einem Haus oder einer Wohnung geeignet. Für die optimale Leistung ist es wichtig, dass die Raumtemperatur, wo das Gerät benutzt wird, nicht niedriger als 16° C und nicht höher als 32°C ist.

- Kinder zwischen 3 und 8 Jahren dürfen Kühlgeräte beladen oder entladen.
- Dieses Gerät darf von Kindern ab 8 Jahre benutzt werden, solange sie beaufsichtigt werden oder Anweisungen erhielten, wie das Gerät sicher zu benutzen ist, und kennen die damit verbundenen Gefahren.
- Die Reinigung und Wartung dürfen nicht von Kindern durchgeführt werden, es sei denn sie sind über 8 Jahre alt und werden von einem Erwachsenen beaufsichtigt.
- Halten Sie das Gerät und sein Stromkabel außer Reichweite von Kindern unter 8 Jahren.
- Während der Nutzung von elektrischen Geräten müssen grundlegende Sicherheitsanweisungen immer beachtet werden, um das Risiko eines Brandes, eines Stromschlages und/oder einer Verletzung im Falle des

Missbrauchs zu vermeiden.

- Vergewissern Sie sich, dass die auf dem Typenschild angegebene Spannung mit der Hauptspannung Ihrer Einrichtung übereinstimmt. Wenn dies nicht der Fall ist, kontaktieren Sie den Händler und schließen Sie das Gerät nicht an.
- Das Gerät darf nicht benutzt werden, wenn es fallen gelassen wurde, wenn es sichtbare Anzeichen einer Beschädigung aufweist oder eine Leckage hat.
- Halten Sie bitte dieses Dokument griffbereit und geben Sie es an den künftigen Besitzer im Falle der Übergabe des Gerätes weiter.
- Dieses Gerät kann von Personen mit eingeschränkten körperlichen, sensorischen oder geistigen Fähigkeiten oder mangelnder Erfahrung und Kenntnis benutzt werden, vorausgesetzt, dass sie beaufsichtigt oder in

der sicheren Benutzung des Gerätes unterwiesen werden und die möglichen Gefahren vollständig verstehen.

- Kinder dürfen mit dem Gerät nicht spielen.
- Die Reinigung und Wartung dürfen nicht von unbeaufsichtigten Kindern durchgeführt werden.

- Um eine Lebensmittelkontaminierung zu vermeiden, bitte befolgen Sie die folgenden Anweisungen:
 - Das Öffnen der Tür für eine längere Zeit kann zu einer deutlichen Steigerung der Temperatur in den Fächern des Gerätes führen.
 - Reinigen Sie regelmäßig die Flächen, die in Kontakt mit Lebensmitteln und erreichbaren Drainagesystemen

kommen können.

- - Wenn das Kühlgerät für eine längere Zeit leer steht, schalten Sie es aus, entfrosten und trocknen Sie es und lassen Sie die Tür offen, um der Entstehung von Schimmel in dem Gerät vorzubeugen.
- Lagern Sie keine explosiven Stoffe wie z.B. Aerosoldosen mit entflammbaren Treibgasen in diesem Gerät.
- Wenn das Stromkabel beschädigt ist, muss es von dem Hersteller, seinem Dienstleister oder einer ähnlich qualifizierten Person ersetzt werden, um Gefahren zu vermeiden.
- Die von der Fabrik vorgegebene Platzierung von Regalen gewährleistet die effizienteste Energienutzung für Kühlgeräte.
- Wenn Lebensmittel für längere Zeit gelagert werden,

ist es empfehlenswert, diese in Frischhaltefolie einzuwickeln und die Temperatur niedriger einzustellen.

- Durch den Kauf dieses Gerätes bekommen Sie ein Gerät, das einzigartige Vorteile kombiniert:
 - ◆ Weniger Vibrationen: um die Qualität des Weines zu bewahren.
 - ◆ Kompakte Größe, nimmt wenig Raum ein.

ACHTUNG: Da die Kältemittelgase brennbar sind, muss der Weinkühler von Fachkräften entsorgt werden, wenn dieser nicht mehr benutzt wird.

WARNUNG: Benutzen Sie dieses Produkt nicht an Stellen, wo Kinder es berühren können, und lassen Sie keine Kinder allein mit dem Gerät.

Entsorgung

Um jegliche Umwelt- und Gesundheitsschäden durch die

unkontrollierte Entsorgung von elektrischen Abfällen auszuschließen, recyceln Sie das Gerät verantwortungsvoll, um die Wiederverwendung von Materialressourcen zu fördern.

Die Entsorgung muss sicher an den zur Verfügung gestellten öffentlichen Sammelstellen erfolgen.

Ältere Geräte könnten FCKW beinhalten, das die Ozonschicht zerstört; kontaktieren Sie die nächstliegende Entsorgungsstelle für weitere Informationen über einen sachgemäßen Entsorgungsvorgang.

Dieses Gerät enthält das Kältemittel Isobutan (R600a), ein Naturgas mit hoher Umweltverträglichkeit. Obwohl es brennbar ist, beschädigt es nicht die Ozonschicht und erhöht nicht den Treibhauseffekt. Die Verwendung dieses umweltfreundlichen Kältemittels hat jedoch zu einer

Erhöhung der Betriebsgeräusche geführt.

Dementsprechend können es Strömungsgeräusche im gesamten Kältekreislauf auftreten.

Diese Effekte sind nicht vermeidbar, haben aber auf die Leistungsfähigkeit des Gerätes keinen Einfluss. Achten Sie beim Transport und der Installation des Gerätes darauf, dass keine Komponenten des Kühlsystems beschädigt werden. Eine Kältemittel-Leckage kann die Augen schädigen.

-Bewahren Sie diese Anleitung auf-

Der Weinkeller ist der beste Ort, um Ihre Weine zu lagern. Seine Aufgabe besteht darin, die Temperatur und die Feuchtigkeit im Innenraum zu regeln, so dass Ihr Wein seinen Geschmack und sein Aroma nicht verliert. Wegen des starken Betriebs können bestimmte Geräusche hörbar sein. Die meiste Zeit sind das normale Töne. Bevor Sie technisches Support anfordern, lesen Sie bitte die folgenden Angaben.

Diese Geräusche sind vollkommen normal: das Summen, Rauschen, Klicken, Kracken...

Wenn der Weinkeller den Betrieb gerade eingestellt hat, können Sie ein Summ-, Rausch-, Klick- oder Quietschgeräusch hören. Wenn sich die Operation stabilisiert, werden die Geräusche nachlassen.

Beim direkten Abkühlen können zahlreiche Geräusche wie Knacken, Zischen, Blubbern, Knistern gehört werden, wenn der Kompressor für einige Zeit läuft oder gerade angehalten hat. Dieses Geräusch wird durch Spannungsentlastung wegen der Ausdehnung und Kontraktion verursacht, wenn sich die Temperatur verändert; Dadurch wird die Leistung des Gerätes nicht beeinflusst.

Der Kompressor besteht aus einem elektrischen Motor und einem Kompressionsgerät. Es ist möglich in Sommer, wenn die Umgebungstemperatur höher ist, dass die Hitze, die durch die Kompression des Kältemittels erzeugt wird, von dem Weinkeller abgegeben wird. Alle diese Phänomene sind normal.

Um die Geräusche zu reduzieren:

Zuerst vergewissern Sie sich, dass der Weinkeller auf einer ebenen Fläche steht.

Die Platzierung ist wichtig, lehnen Sie den Keller nicht gegen die Wand an.

Die Flaschen müssen richtig beladen werden, um störende Geräusche zu vermeiden.

Das Geräusch kann von dem Umlufter kommen, überprüfen Sie, dass nichts seinen Betrieb behindert.

INSTALLATIONSANWEISUNGEN

Vor der Nutzung des Weinkühlers

Entfernen Sie alle Außen- und Innenverpackungen.

Bevor Sie den Weinkühler an der Energiequelle anschließen, lassen Sie ihn für ungefähr 4 Stunden aufrecht stehen. Dies wird die Möglichkeit einer Fehlfunktion, die in dem Kühlsystem wegen unsachgemäßer Behandlung während des Transports entstehen könnte, verringern. Reinigen Sie die Außenfläche mit lauwarmem Wasser und einem weichen Tuch.

Installation Ihres Weinkühlers

Der Weinkühler ist ausschließlich für die freie Platzierung bestimmt und darf nicht vertieft oder eingebaut werden. Lassen Sie 5 Zoll Raum zwischen der Rückwand und den Seiten des Weinkühlers, um ausreichende Belüftung zu ermöglichen. Passen Sie die Füße an, um den Weinkühler eben zu halten. Halten Sie den Weinkühler von direkter Sonneneinstrahlung und Wärmequellen (Herd, Heizkörper, Radiator usw.) fern. Direkte Sonneneinstrahlung kann die

Acrylbeschichtung beschädigen und die Wärmequellen werden den Stromverbrauch erhöhen. Die Umgebungstemperatur unter 5°C oder über 32°C kann die Leistung des Gerätes beeinträchtigen. Je nach der Position des Gerätes kann die Richtung, in die die Tür öffnet, verändert werden.

Das Gerät ist nicht dafür bestimmt, in einer Garage oder draußen installiert oder benutzt zu werden.

Installieren Sie Ihren Weinkühler nie an feuchten Stellen.

Schließen Sie den Weinkühler an einer dafür geeigneten, ordnungsgemäß installierten und geerdeten Steckdose an. Unter keinen Umständen schneiden Sie den dritten Erdungskontakt ab oder entfernen ihn nicht aus dem Netzkabel. Alle Fragen über den Strom und/oder die Erdung müssen einer Elektrofachkraft oder einem autorisierten Servicezentrum gestellt werden.

Das Gerät ist nicht dafür bestimmt, in einem Wohnmobil installiert oder mit einem Wechselrichter benutzt zu werden.

Nachdem Sie das Gerät angeschlossen haben, schalten Sie es an und erlauben Sie der Einheit 3 ~ 4 Stunden abzukühlen, bevor Sie Weinflaschen oder Getränke im Gerät platzieren.

WARNUNG: Halten Sie die Belüftungsöffnungen in dem Gehäuse des Gerätes frei von Hindernissen.

Elektrische Verbindung

⚡ WARNUNG ⚡

Unsachgemäßer Gebrauch des Schukosteckers kann zu dem Risiko eines Stromschlages führen. Wenn das Stromkabel beschädigt ist, lassen Sie es in einem autorisierten Servicezentrum ersetzen.

Für Ihre Sicherheit muss der Weinkühler ordentlich geerdet sein. Das Stromkabel des Weinkühlers ist mit einem Drei-Zinken-Stecker ausgestattet, der zu einer normalen Drei-Zinken-Steckdose passt, um die Möglichkeit eines Stromschlages zu minimieren.

Unter keinen Umständen schneiden Sie den dritten Erdungskontakt ab oder entfernen ihn aus dem Netzkabel. Der Weinkühler benötigt eine standardgemäße 220-240 Volt AC~50Hz Steckdose mit der Drei-Zicken- Grundlage.

Der Weinkühler ist nicht dafür bestimmt, mit einem Wechselrichter benutzt zu werden.

Das Kabel muss hinter dem Weinkühler befestigt und nicht ausgesetzt und hängend gelassen werden, um unbeabsichtigte Verletzungen zu vermeiden.

Trennen Sie den Weinkühler nie vom Netz, indem Sie am Kabel ziehen. Halten Sie immer den Stecker fest, dann ziehen Sie ihn geradeaus aus der Steckerbuchse.

Benutzen Sie kein Verlängerungskabel mit dem Gerät. Wenn das Stromkabel zu kurz ist, beantragen Sie eine Elektrofachkraft oder einen Servicetechniker, eine Steckdose näher zu dem Gerät zu installieren. Die Nutzung des Verlängerungskabels kann die Leistung des Gerätes beeinträchtigen.

Benutzen Sie keine elektrische Geräte in dem Lebensmittelfach des Gerätes, es sei denn diese Art von Geräten von dem Hersteller empfohlen wurde.

Lagern Sie keine explosiven Stoffe wie z.B. Aerosoldosen mit entzündlichen Treibgasen in diesem Gerät.

WARNUNG: Beschädigen Sie nicht den Kältemittelkreislauf.



WARNUNG: Brandrisiko/brennbare Materialien



WARNUNG: Brandrisiko/brennbare Materialien



WARNUNG: Brandrisiko/brennbare Materialien

IHR GERÄT BEDIENEN

Temperaturkontrolle

Bedienfeld

Das Bedienfeld befindet sich oben auf dem Gerät.



LICHTTASTE



Um die Innenleuchte an- und auszuschalten

TEMPERATUREINSTELLTASTE (UP TASTE)



Wird benutzt, um die gewählte Temperatur um 1°C oder 1°F zu erhöhen.

TEMPERATUREINSTELLTASTE (DOWN TASTE)



Wird benutzt, um die gewählte Temperatur um 1°C oder 1°F zu reduzieren.

SELEKTOR-DISPLAY



Zum Wählen, ob die Temperatur in Celsius oder Fahrenheit angezeigt wird.

DIE TEMPERATUR WÄHLEN

Ihr Weinkeller verfügt über eine Kammer. Die Temperatur kann zwischen 4°C und 18°C (39° und 65°F) gewählt werden. Es ist empfohlen, die Temperatur niedriger im Temperaturbereich von 12°C bis 18°C (55-64°F) einzustellen, da es perfekt für die Lagerung von roten Weinsorten passt, und im Bereich zwischen 4 und 12°C (39-55°F) einzustellen, der für Sekte und weiße Weinsorte geeignet ist.

Beschreibung von Produkteigenschaften.

1) Bedienfeld

o Das Bedienfeld befindet sich oben auf dem Gerät, es ist sehr einfach, die Temperatur des Gerätes einzustellen und die eingestellte Temperatur zu sehen.

2) Innenleuchte

o Der Weinkühler verfügt über eine Innenleuchte. Die Leuchte kann an- und ausgeschaltet werden, indem Sie die Lichttaste benutzen.

3) Die Regale des Weinkühlers

- o Die Regale sind vollständig einstellbar und passen zu den verschiedenen Flaschengrößen und Formen.
- o Um die Beschädigung der Türdichtung zu vermeiden, vergewissern Sie sich, dass die Tür komplett geöffnet wird, bevor die Regale aus den Trageschienen rausgezogen werden.
- o Die von der Fabrik vorgegebene Platzierung von Regalen gewährleistet die effizienteste Energienutzung für Kühlgeräte.

Nutzung Ihres Weinkühlers

Vor dem Anschalten

- Vergewissern Sie sich, dass es von einer passend qualifizierten Person und gemäß der in der Montageanleitung angegebenen Informationen installiert worden ist.
- Warten Sie nach der Lieferung für vier Stunden, bevor Sie das Gerät an Ihrem Versorgungsnetz anschließen. Dies wird jeglichen Kältemittelgasen, die während des Transports gestört worden sein könnten, erlauben sich zu setzen.
- Das Äußere des Gerätes und das damit vorhandene abnehmbare Zubehör sollten mit einer Lösung von Flüssigwaschmittel und Wasser gereinigt werden.
- Das Innere des Gerätes sollte mit einer Lösung von Natron, das im lauwarmen Wasser aufgelöst wurde, gereinigt werden. Die Innenseite und das Zubehör sollten gründlich getrocknet werden, nachdem der Reinigungsprozess abgeschlossen wurde.
- Es kann einen Geruch geben, wenn das Gerät zum ersten Mal angeschaltet wird. Es wird nachlassen, wenn das Gerät sich abkühlt.

Beim ersten Gebrauch

WICHTIG: Wenn Sie den Weinkühler zum ersten Mal benutzen oder das Gerät neustarten, nachdem es eine lange Zeit ausgeschaltet war, kann es ein paar Grad Unterschied zwischen der von Ihnen gewählten und der auf dem LED Display angezeigten Temperatur geben. Es ist normal und bedingt durch die Dauer der Aktivationszeit. Sobald der Weinkühler für ein paar Stunden gelaufen ist, wird alles wieder normal.

- Wenn Sie das Gerät zum ersten Mal anschalten, wird der Kompressor andauernd laufen, bis der Weinkühler eine ausreichend kühle Temperatur erreicht hat.
- Während dieses Zeitraums versuchen Sie die Tür nicht zu häufig aufzumachen oder die Flaschen in dem Gerät nicht zu platzieren.
- Wenn das Gerät ausgeschaltet oder vom Netz getrennt ist, lassen Sie mindestens 5 Minuten Zeit, bevor Sie das Gerät neustarten oder es mit dem Versorgungsnetz wieder verbinden.

Beladung des Weinkühlers



WICHTIG: Ihr Gerät ist perfekt dafür geeignet, 0.75 Liter Bordeaux style Weinflaschen zu lagern. Obwohl es auch größere Flaschen lagern kann, überprüfen Sie es, ob diese das vollständige Schließen der Tür nicht verhindern.

- Überprüfen Sie immer, ob die Tür geschlossen werden kann, ohne die Flaschen zu berühren, bevor Sie diese schließen.
- Beim Laden von mehreren Weinflaschen auf einmal wird es länger dauern, bis das Gerät die einzelnen Flaschen abgekühlt hat.
- Da die Flaschen in Größe und Abmessungen unterscheiden können, könnte die tatsächliche Anzahl der Flaschen, die man lagern kann, variieren.
- Die maximale Lagerkapazität basiert auf standardmäßigen 0.75 Liter Weinflaschen.

Lagerung Ihres Weines

Die Grafik unten bezeichnet die perfekte Lagerungstemperaturen für verschiedene Weinsorten.
Es wird empfohlen, den Weinkühler auf 12°C einzustellen.

| <i>Weinsorte</i> | <i>Temperatur (Celsius)</i> | <i>Temperatur (Fahrenheit)</i> |
|------------------|---------------------------------|------------------------------------|
| Rotwein | 15 – 18°C | 58 – 65°F |
| Weißwein | 9 - 14°C | 48 – 79°F |
| Sekte/Champagne | 4 – 8°C | 39 – 47°F |

Hinweis: Der Wein kann verderben, wenn die Temperatur zu hoch eingestellt ist, gleichzeitig verbrauchen Sie unnötig viel Strom, wenn die Einstellung zu niedrig ist.

- Die Temperaturstabilität ist der wichtigste Faktor, was die Weinlagerung angeht.

- Die Lichtexposition, Vibrationen oder Temperatur- oder Feuchtigkeitsschwankungen können den Verderb von Wein verursachen. Bei der sachgemäßen Lagerung werden Weinsorten nicht nur ihre Qualität aufrechterhalten, sondern auch ihr Aroma, den Geschmack und ihre Komplexität beim Reifen verbessern.
- Die Weine, die bei einer höheren Temperatur gelagert werden, altern schneller. Der Wein, der der Temperatur über 18°C (64°F) ausgesetzt ist, wird einen schlechteren Geschmack und ein ärmeres Aroma haben.
- Wenn Wein bei einer zu niedrigeren Temperatur aufbewahrt wird, kann es die Entwicklung von schädlichen Ablagerungen verursachen. Die Feuchtigkeit von 60%~70% ist perfekt, um die Korken vom Schrumpfen abzuhalten.
- Wenn eine Weinflasche geöffnet wurde, kommt der Wein in Kontakt mit der Luft. Es wird empfohlen, den Rest der Flasche aufrecht aufzubewahren, um die Fläche des Weines, die mit der Luft in Kontakt kommt, zu minimieren.
- Wenn geöffnet, wird der Wein einige Zeit genießbar bleiben, zwei Tage für delikate Weine und drei Tage für reiche Rotweine, solange die Flasche wieder verschlossen worden ist. Vergewissern Sie sich, dass die Plombe fest ist, indem Sie den Verschluss überprüfen.
- Spezielle Verschlüsse, die Wein spritzig und Champagner sprudelnd für einen oder zwei Tage nach der Öffnung halten, können in meisten guten Weinläden gekauft werden.
- Wenn richtig gelagert, können Weißweine bis zu zwei Jahren gut halten. Körperreiche Rotweine werden bis zu zehn Jahre alt und Dessertweine bis zu zwanzig.
- Wenn Sie eine Flasche Wein kaufen, sollten Sie sie unverzüglich an dem passenden Lagerort platzieren (wenn Sie nicht vorhaben, diese in Ihrem Weinkühler zu lagern).
- Günstigere Flaschen Wein altern nicht so gut, wie die teureren.
- Um das Beste aus dem Bouquet und Geschmack Ihres Weines zu machen, füllen Sie das Glas nie mehr als zu Hälfte auf einmal. Die Form Ihres Glases, die zu Ihrem Wein passt, wird auch eine Rolle spielen. Die Größe und Form Ihres Weinglaskelches wird die Intensität und Komplexität des Bouquets bestimmen. Der Stiel muss lang genug sein, um den Handkontakt mit dem Kelch des Glases zu vermeiden und sollte oben tulpenförmig oder spitz zulaufend sein.

PFLEGE UND WARTUNG

Reinigung Ihres Gerätes

- ★ Nach der Montage Ihres Gerätes wird es empfohlen, es gründlich zu reinigen.
- ★ Schalten Sie den Weinkühler zuerst aus und dann trennen Sie das Gerät vom Netz.
- ★ Entfernen Sie alle Inhalte.
- ★ Waschen Sie die Innenseite mit einem feuchten, warmen Tuch, getränkt mit einer Lösung von Wasser und Natron.

Die Lösung sollte ungefähr aus 2 Esslöffeln Natron und einem halben Liter Wasser bestehen.

★ Halten Sie die Türdichtungen sauber, damit das Gerät effizient weiterfunktioniert.

★ Die Außenseite des Weinkühlers sollte mit einem milden Spülmittel und warmem Wasser gereinigt werden.

★ Trocknen Sie die Innen- und Außenseiten mit einem weichen Tuch.

★ Der Staub oder etwas anderes, was die Entlüftung blockiert, kann die Kühlleistung des Gerätes behindern. Saugen Sie staub an der Entlüftung, wenn nötig.

Urlaubszeit

★ Schalten Sie das Gerät vorerst aus, dann ziehen Sie den Stecker aus der Steckdose.

★ Entfernen Sie alle Inhalte.

★ Reinigen Sie das Gerät.

★ Lassen Sie den Deckel leicht offen, um die mögliche Bildung von Kondenswasser, Schimmel oder Gerüchen zu vermeiden.

★ Kurzaufenthalt: Lassen Sie den Weinkühler im Betrieb während des Urlaubs, der weniger als drei Wochen dauert.

★ Langer Urlaub: Wenn der Weinkühler für ein paar Monate nicht benutzt wird, entfernen Sie alle Inhalte und ziehen Sie den Stecker. Reinigen und trocknen Sie die Innenseite gründlich. Um einen Geruch oder Schimmelbildung zu vermeiden, lassen Sie die Tür leicht offen: wenn nötig, kann diese auch offen blockiert werden.

Umstellung Ihres Gerätes.

★ Schalten Sie das Gerät vorerst aus, dann ziehen Sie den Stecker aus der Steckdose.

★ Entfernen Sie alle Inhalte.

★ Fixieren Sie alle lose Gegenstände in Ihrem Gerät mit Klebeband.

★ Kleben Sie die Tür zu.

Energiespartipps.

★ Der Weinkühler sollte an der kältesten Stelle des Raums platziert werden, entfernt von Heizgeräten oder Heizkanälen, und nicht unter direkter Sonnenstrahlung.

★ Vergewissern Sie sich, dass die Tür ordentlich geschlossen ist, wenn der Weinkühler angeschaltet ist.

ANLEITUNG ZUR FEHLERSUCHE

Sie können viele häufige Weinkühler-Probleme einfach lösen und sich dabei die Kosten des eventuellen Serviceanrufs ersparen.

Probieren Sie die untenstehende Vorschläge aus, um zu sehen, ob Sie dieses Problem lösen können, bevor Sie den Kundendienst anrufen.

| PROBLEM | MÖGLICHE URSACHE |
|----------------------------------------------------------|------------------------------------------------------------------------------------------------------------------------------------------------------------------------------------------------------------------------------------------------------------------------------------------------------------------------------------------------------------------------------------------------------------------------------------------------------------------------------------------------------------------------------------------------------------------------------------------------|
| Der Weinkühler funktioniert nicht. | Nicht angeschlossen. Der Leistungsausschalter ist ausgelöst oder die Sicherung ist durchgebrannt. |
| Die Temperatur in dem Weinkühler ist zu hoch. | Die Temperaturkontrolle ist zu warm eingestellt. Schalten Sie die Kontrolle auf eine kältere Einstellung um oder lassen Sie die Temperatur ein paar Stunden stabilisieren. Die Tür wurde zu lange aufgelassen oder zu häufig aufgemacht. Die warme Luft dringt in den Weinkühler jedes Mal ein, wenn die Tür geöffnet wird. Öffnen Sie die Tür nicht zu oft. Die Tür ist nicht komplett geschlossen. Die Türdichtung verschleißt nicht richtig. Der Weinkühler wurde vor kurzem für eine längere Zeit abgeschaltet. 4 Stunden braucht der Weinkühler, um sich komplett abzukühlen. |
| Die Temperatur in dem Weinkühler ist zu kalt. | Die Temperaturkontrolle ist zu kalt eingestellt. Schalten Sie die Kontrolle auf eine wärmere Einstellung um oder lassen Sie die Temperatur ein paar Stunden stabilisieren. |
| Vibrationen | Vergewissern Sie sich, dass der Weinkühler sich auf einer ebenen Fläche befindet. Der Weinkühler berührt die Wand. Nivellieren Sie den Weinkühler neu oder rücken Sie ihn von der Wand weg. Wenn die Vibrationen anhalten, schalten Sie den Weinkühler aus und ziehen Sie den Stecker. Kontaktieren Sie den Kundendienst für weitere Unterstützung. |
| Feuchtigkeit bildet sich in dem Weinkühler. | Die Tür ist leicht geöffnet. Die Tür wurde zu lange aufgelassen oder zu häufig aufgemacht. Öffnen Sie die Tür nicht zu oft. Die Tür ist nicht richtig verschlossen. |
| Feuchtigkeit bildet sich auf der Außenseite des Gerätes. | Die Tür ist leicht geöffnet, was dazu führt, dass die kalte Luft aus dem Weinkühler die feuchte Luft draußen trifft. |
| Die Tür schließt nicht richtig. | Der Weinkühler befindet sich nicht auf einer ebenen Fläche. Die Dichtung ist schmutzig. |

UMWELT

ACHTUNG:

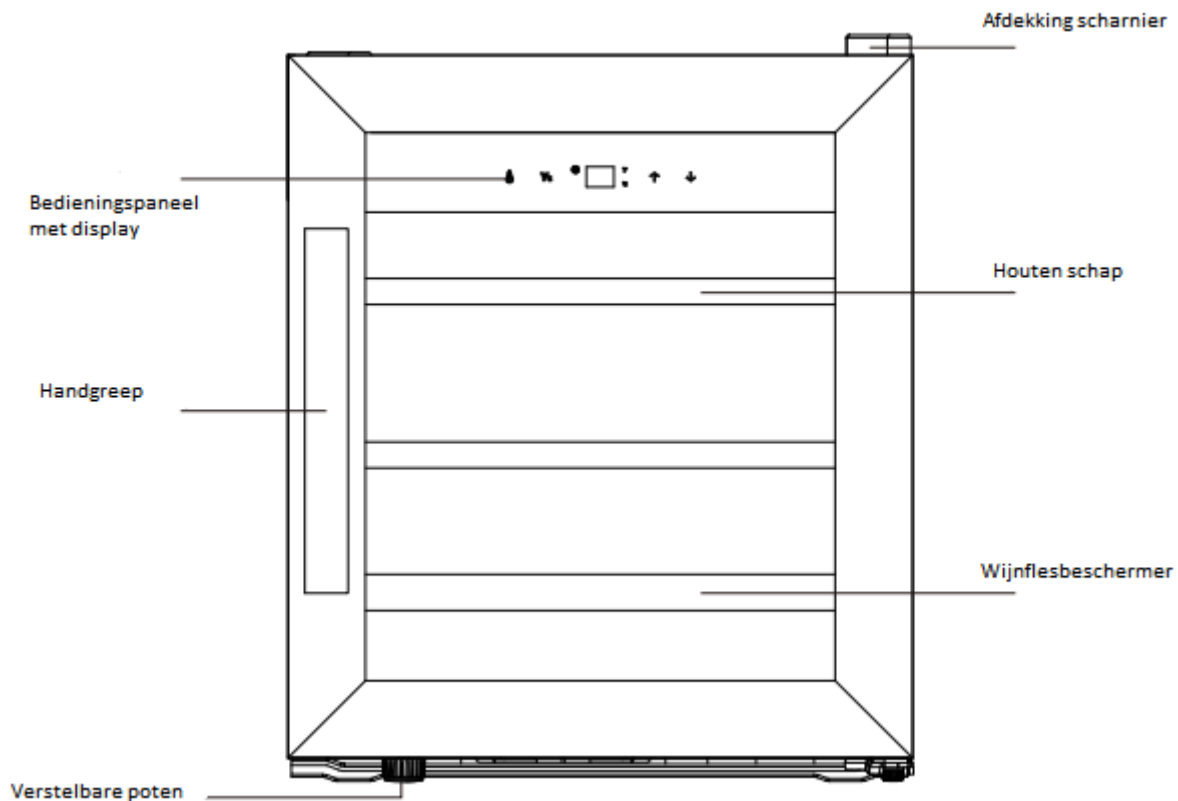


Werfen Sie nicht dieses Produkt, wie es mit anderen Haushaltsprodukten hat. Es gibt eine Mülltrennung von diesem Produkt in Gemeinden, Sie müssen Ihre lokalen Behörden über die Orte, wo man dieses Produkt zurückgeben können zu informieren. In der Tat enthalten elektrische und elektronische Produkte gefährliche Stoffe, die schädliche Auswirkungen auf die Umwelt oder die menschliche Gesundheit haben und sollte recycelt werden. Das Symbol hier darauf hinweisen, dass elektrische oder elektronische Geräte sollten sorgfältig ausgewählt werden, ist ein fahrbarer Abfallbehälter mit einem Kreuz markiert.

Adeva SAS / H.Koenig Europe - 8 rue Marc Seguin, 77290 Mitry-Mory, France
www.hkoenig.com - <https://kundenservice.hkoenig.com> - Tél: +33 1 64 67 00 05

NEDERLANDS

NAMEN VAN DE ONDERDELEN



SPECIFICATIES

| | | |
|-----------------------------------|-------|-------------------|
| Type | | CAVC15 |
| Volume (liter) | | 46L |
| Materiaal | IJzer | IJzer |
| | Glas | Glas |
| Apparaat Afmetingen(B×D×H) (mm) | | 513 x 430 x 480mm |
| Verpakking Afmetingen(B×D×H) (mm) | | 520 x 465 x 545mm |
| Netto Gewicht (Kg) | | 19,3 KG |

| | |
|-----------------------|------------|
| Bruto Gewicht (Kg) | 21,5 KG |
| Temperatuurbereik | 4°C-18°C |
| Aanbevolen Voltage | 220-240VAC |
| Aanbevolen Frequentie | 50Hz |
| Stroomsterkte | 0,55A |

BELANGRIJKE VEILIGHEIDSINSTRUCTIES

⚡WAARSCHUWING⚡

Om het risico op vuur, elektrische schok, of verwonding te verkleinen bij het gebruik van dit apparaat, volg deze voorzorgsmaatregelen:

Lees deze gebruikersinstructies zorgvuldig door voor gebruik en bewaar ze voor toekomstige referentie.

- **WAARSCHUWING:** Als u het apparaat plaatst dient u te zorgen dat de stroomkabel nergens klemt of beschadigd is.
- **WAARSCHUWING:** Plaats geen verdeelstekkers of draagbare stroomvoorzieningen achter het apparaat.
- **WAARSCHUWING:** Mogelijke risico voor kinderen.
- Voor de afvoer van uw gebruikte apparaat:

Verwijder de deuren en laat de schappen zitten zodat een kind niet eenvoudig in het apparaat kan klimmen.

- Laat kinderen nooit het apparaat gebruiken, ermee spelen of erin kruipen.
- Nooit de onderdelen van het apparaat schoonmaken met brandbare vloeistoffen.
- Gebruik of sla geen benzine of andere brandbare gassen of vloeistoffen bij dit of elk ander apparaat.

Dampen vormen een risico op brand of explosie.

- Om uw apparaat schoon te maken geen bijten schoonmaakmiddelen gebruiken.
- Laat 10 cm ruimte vrij achter en aan de zijkanten van het apparaat voor ventilatie van het koelingsstelsel.

- Om uw wijnen op te slaan bij een stabiele temperatuur, dient u de deur niet te lang op te laten staan.
- Installeer uw apparaat niet nabij een warmtebron en vermijd direct zonlicht.
- Installeer uw apparaat op een vlak, schoon en stabiele vloer.
- Plaats geen andere elektrische apparaten op uw apparaat.
- Voor uw eigen veiligheid dient u uw apparaat niet op een vochtige plek te plaatsen.
- Bewaar geen voedsel in het apparaat omdat de temperatuur mogelijk niet koud genoeg is.

- Dit koelend apparaat is niet bedoeld als een ingebouwd apparaat.
- Dit koelend apparaat is niet geschikt voor het koelen van eten.
- Dit apparaat is bedoeld voor huishoudelijk gebruik en niet voor situaties als:
 - personeelsruimte in winkels, kantoren en andere werkomgevingen;
 - herbergen en bij cliënten in hotels, motels en andere woontype omgevingen;
 - bed & breakfast-omgevingen;
 - catering en gelijkwaardige niet retail-toepassingen.
- Dit apparaat is ontworpen voor gebruik in een huis of

appartement. Het is belangrijk dat de temperatuur in de kamer waar het gebruikt wordt niet lager wordt dan 16° C en hoger dan 32°C voor een optimale werking.

- Kinderen van 3 tot 8 jaar mogen koelende apparaten vullen of legen.
- Dit apparaat mag gebruikt worden door kinderen van minimaal 8 jaar als er toezicht wordt gehouden en ze instructies hebben gehad over hoe ze het apparaat moeten gebruiken en ze de gevaren begrijpen.
- Het schoonmaken en onderhoud mag niet worden uitgevoerd door kinderen tenzij ze 8 jaar of ouder zijn en er toezicht is.
- Houd het apparaat en de stroomkabel uit de buurt van

kinderen jonger dan 8 jaar.

- Bij het gebruik van elektrische apparaten moeten altijd de standaard veiligheidsinstructies worden opgevolgd om de kans op vuur, elektrische schokken en/of verwondingen te voorkomen.
- Controleer dat de aangegeven spanning op het typeplaatje overeenkomt met de spanning van uw spanningsbron. Als dit niet het geval is, neem dan contact op met de dealer en sluit het apparaat niet aan.
- Het apparaat mag niet gebruikt worden als het gevallen is, als er duidelijk zichtbare schade is of als het lekt.

- Bewaar deze handleiding en geef het aan de toekomstige eigenaar als u het apparaat aan een ander geeft.
- Dit apparaat kan worden gebruikt door personen met verminderde fysieke, zintuiglijke of mentale vermogens of met gebrek aan ervaring of kennis, op voorwaarde dat zij onder toezicht staan of instructies hebben gekregen over het veilige gebruik van het apparaat en dat zij de mogelijke gevaren volledig begrijpen.
- Kinderen mogen niet met dit apparaat spelen.
- Schoonmaken en gebruikersonderhoud mogen niet worden uitgevoerd door kinderen zonder toezicht.
- Om contaminatie van voedsel te vermijden, dient u de

volgende instructies op te volgen:

- Het voor langere tijd openen van de deur kan zorgen voor een significante stijging van de temperatuur in de compartimenten van het apparaat.
- Oppervlaktes regelmatig schoonmaken die in contact kunnen komen met voedsel en toegankelijke afluatsystemen.
- - Als het koelapparaat langere tijd leeg is, schakel het uit, ontdooi het, maak het schoon, droog het af en laat de deur open om schimmelvorming te voorkomen in het apparaat.
- Geen explosieve substantie zoals aerosol bussen met een brandbaar drijfgas in dit apparaat opslaan.

- Als de stroomkabel beschadigd is, dient deze te worden vervangen door de fabrikant, een servicemonteur of een gelijkwaardig gekwalificeerd persoon om gevaren te vermijden.
- De plaatsing van de schappen zoals in de fabriek is gebeurd, is de efficiëntste manier voor koelende apparaten.
- Als voedsel langere tijd wordt opgeslagen, wordt het aanbevolen het in folie te wikkelen en de temperatuur lager te zetten.

Door de aankoop van dit apparaat heeft u een apparaat dat unieke voordelen combineert:

- ◆ Minder vibraties: om de kwaliteit van de wijnen te behouden.

- ◆ Klein formaat, neemt minder ruimte in.

LET OP: Omdat de koelgassen brandbaar zijn, dient een professionele monteur de elektrische koeler te verwijderen als het apparaat afgedankt is.

WAARSCHUWING: Zet dit product niet op een plek waar kinderen eraan kunnen komen en laat het niet door kinderen gebruiken.

Afvoer van afval

Om mogelijke schade voor mens en milieu te voorkomen door de verkeerde afvoer van afval, recycle dit product verantwoord om het hergebruik van materiaal te

promoten. De afvoer dient veilig te gebeuren bij een publiek inzamelpunt die dit doel als functie heeft.

Oudere koelers kunnen mogelijk CFK's bevatten die de ozonlaag vernietigen; neem contact op met een nabij afvalinzamelingspunt voor meer informatie over de juiste afvoer ervan.

Dit apparaat bevat koelmiddel isobuteen (R600a), een natuurlijk gas dat milieuvriendelijk is. Al is het brandbaar, het beschadigt niet de ozonlaag en versterkt niet het broeikaseffect. Het gebruik van dit koelmiddel zorgde echter wel voor een lichte stijging van het geluidsniveau. U kunt mogelijk het koelmiddel door het systeem horen stromen.

Dit is onvermijdelijk, en heeft geen tegenwerkend effect op de prestaties van het apparaat. Wees voorzichtig tijdens transport en de plaatsing van het apparaat zodat geen delen van het koelsysteem worden beschadigd. Lekkend koelmiddel kan schadelijk zijn voor de ogen.

-Bewaar deze handleiding-

Een wijnkoeler is de meest praktische ruimte om wijnen op te slaan. Zijn rol is het om de temperatuur en luchtvochtigheid erin te balanceren zodat uw wijn niet zijn smaak en aroma's verliest.

Door deze zware taak, kunnen er geluiden worden gehoord. Meestal zijn het normale geluiden.

Voordat u de klantenservice belt, lees eerst de volgende regels.

Deze geluiden zijn heel normaal: zoemen, denderen, klikken, kraken...

Als de koeler net gestopt is met werken, kunt u mogelijk gezoem, gedender, geklik of gepiep horen. Als alles gekalmeerd is, verminderen de geluiden.

Bij zwaar koelen kan er ongewoon gekraak, gesis en geborrel gehoord worden als de compressor een tijdje heeft gedraaid en net is gestopt. Dit geluid wordt veroorzaakt door de opgebouwde spanning door het uitzetten en krimpen als de temperatuur verandert, en zal niet de normale werking van het product beïnvloeden.

De compressor bestaat uit een elektrische motor en een compressie-apparaat. Door de warmteproductie tijdens de compressie van het koelmiddel is het mogelijk, vooral in de zomer, als de omgevingstemperatuur hoger is dat

warmte vrijkomt van de koeler. Al deze fenomenen zijn normaal.

Om geluiden te beperken:

Eerst, controleer dat uw koeler op een vlakke ondergrond staat.

De locatie is belangrijk, zet de koeler niet tegen de muur.

De flessen moeten correct worden geplaatst en vermijd dat ze tegen elkaar trillen.

Er kan geluid komen van de circulatieventilator, controleer dat niets zijn werking beperkt.

INSTALLATIE INSTRUCTIES

Voor ingebruikname van uw wijnkoeler

Verwijder het verpakkingsmateriaal aan de buiten- en binnenkant.

Voordat u de wijnkoeler aansluit op het lichtnet, laat het eerst ongeveer 4 uur rechtop staan. Dit verkleint het risico dat het koelsysteem niet goed functioneert door verkeerd vervoer. Maak de binnenkant schoon met handwarm water en een zachte doek.

Plaatsing van uw wijnkoeler

Deze wijnkoeler is ontworpen om vrij te staan, en mag daarom niet ingebouwd worden.

Laat 13 cm ruimte tussen de achterkant en de zijkanten van de wijnkoeler, wat zorgt voor een goede luchtventilatie. Pas de pootjes aan om de wijnkoeler waterpas te zetten. Houd de wijnkoeler niet uit direct zonlicht en weg van warmtebronnen (kachel, boiler, radiator, etc.). Direct zonlicht kan de coating van acryl aantasten en warmtebronnen kunnen het stroomverbruik doen laten stijgen. Een omgevingstemperatuur onder 5°C of boven 32°C zal de prestatie van het apparaat benadelen.

Afhankelijk van de plaatsing van het apparaat, kan het opengaan van de deur omgedraaid worden.

Dit apparaat is niet ontworpen voor gebruik in een garage of een andere buiteninstallatie.

Vermijd dat de wijnkoeler in een vochtige ruimte komt te staan.

Steek de stekker van de wijnkoeler in een apart, correct geaard stopcontact. Onder geen beding de derde draad (aarde) van de stroomkabel verwijderen. Vragen wat betreft stroom en/of aarding moeten worden gesteld aan een gecertificeerde elektricien of reparatiebedrijf.

Dit apparaat is niet ontworpen om te worden gebruikt in een camper, of met een omvormer.

Nadat het apparaat is aangesloten op het lichtnet, schakel het apparaat in en laat hem eerst 3 ~ 4 uur koelen voordat u wijnflessen of andere dranken plaatst.

WAARSCHUWING: Houd de ventilatie openingen van het apparaat, vrij van obstructies.

Elektrische aansluiting



Incorrect gebruik van de geaarde stekker kan resulteren in een elektrische schok. Als de stroomkabel beschadigd is, moet die vervangen worden door een erkend reparatiebedrijf

Deze wijnkoeler moet correct geaard worden voor uw veiligheid. De stroomkabel van deze wijnkoeler is voorzien van een stekker met aarde die overeenkomt met een geaard stopcontact om het risico op een elektrische schok te verminderen.

Onder geen beding de derde draad, de aarde, van de meegeleverde stroomkabel verwijderen. Deze wijnkoeler benodigd een standaard 220-240 Volt A.C. /50Hz elektrisch stopcontact voorzien van randaarde.

Deze wijnkoeler is niet ontworpen om te worden gebruikt met een omvormer.

De stroomkabel moet achter de wijnkoeler worden opgeborgen om ongelukken te vermijden.

Nooit de wijnkoeler van het stroom halen door aan de kabel te trekken. Altijd de stekker stevig vastpakken en recht uit het stopcontact trekken.

Gebruik geen verlengkabel met dit apparaat. Als de stroomkabel te kort is, laat dan een gekwalificeerde elektricien of servicemonteur een stopcontact bij het apparaat plaatsen. Het gebruik van een verlengkabel kan een negatief effect hebben op de prestaties van het apparaat.

Gebruik geen elektrische apparaten in de voedselruimtes van het apparaat, tenzij dit type wordt aanbevolen door de fabrikant.

Geen explosieve substantie zoals aerosol bussen met een brandbaar drijfgas in dit apparaat opslaan.

WAARSCHUWING: Niet het koelcircuit beschadigen.



WAARSCHUWING: Gevaar op brand/brandbare materialen

GEBRUIK VAN UW APPARAAT

Temperatuurstelling

Bedieningspaneel

Het bedieningspaneel is geplaatst bovenop de deur.



LICHTKNOP



Om de binnenverlichting aan of uit te schakelen.

TEMPERATUURINSTELLINGSKNOP (OMHOOG)



Om de temperatuur hoger (warmer) in te stellen per 1°C of 1°F.

TEMPERATUURINSTELLINGSKNOP(OMLAAG)



Om de temperatuur lager (kouder) in te stellen per 1°C of 1°F.

KEUZE DISPLAY



Kies de temperatuurdisplay in Celsius of Fahrenheit.

KIES DE TEMPERATUUR

Uw wijnkoeler heeft één compartiment. De temperatuur kan worden gekozen tussen 4°C en 18°C (39° en 65°F). Het wordt aanbevolen om de temperatuur in te stellen in het lage 12 ° C tot + 18 ° C (55 -64 ° F) bereik die ideaal is voor opslag van rode wijnen en tussen 4 en 12 ° C tot + 22 ° C (39 -55 ° F) bereik is geschikt voor champagnes en witte wijnen.

Beschrijving van de product voorzieningen

1) Bedieningspaneel

- Het bedieningspaneel is bovenop geplaatst zodat het makkelijk is om de temperatuur van het apparaat in te stellen en om te zien waarop de temperatuur is ingesteld.

2) Binnenverlichting

- De wijnkoeler heeft een binnenverlichting. Het licht kan aan en uit worden geschakeld door gebruik te maken van de lichtknop.

3) De wijnkoelkast schappen

- De schappen zijn volledig verstelbaar om wijnflessen van verschillende soorten en groottes kwijt te kunnen.
- Om beschadigingen aan de deurafdichting te vermijden, controleer dat de deur helemaal open is bij het verwijderen van de schappen uit de rails.
- De plaatsing van de schappen zoals in de fabriek is gebeurd, is de efficiëntste manier voor koelende apparaten.

Uw wijnkoeler gebruiken

Voor het inschakelen

- Verzeker dat het geïnstalleerd is door een gekwalificeerd persoon, zoals aangegeven in de installatie instructies.
- Na aflevering, wacht 4 uur voordat u het apparaat aansluit op het lichtnet. Dit laat koelingsgassen die tijdens transport mogelijk zijn verstoord, weer tot rust komen.
- De buitenkant van het apparaat en de verwijderbare accessoires erin, kunnen schoongemaakt worden met een oplossing van een vloeibaar schoonmaakmiddel en water.
- De binnenkant van het apparaat kan worden schoongemaakt met een oplossing van natrium bicarbonaat in handwarm water. De binnenkant en de accessoires moeten goed worden afgedroogd, nadat de schoonmaak is afgerond.
- Er kan een geur vrijkomen bij het eerste gebruik. Dit zal minder worden als het apparaat begint te koelen.

Tijdens het eerste gebruik

BELANGRIJK: Als u de wijnkoeler voor het eerst gebruikt of opnieuw gebruikt na een lange periode uit gestaan te hebben, kan er een paar graden verschil zitten tussen de gekozen temperatuur en de aangegeven temperatuur op het LED. Dit is normaal en komt door de lengte van de activatie tijd. Als de wijnkoeler een paar uur heeft gewerkt zal alles weer normaal zijn.

- Bij het eerste gebruik van het apparaat, zal de compressor continu blijven draaien totdat de juiste temperatuur is bereikt.
- In deze periode, probeer dan niet de deur vaak te openen of flessen te plaatsen in het apparaat.
- Als het apparaat is uitgeschakeld of de stekker is los geweest, wacht dan minimaal 5 minuten voordat het apparaat opnieuw opstart of weer aansluit op het lichtnet.

Vullen van de wijnkoeler



BELANGRIJK: Uw apparaat is uitermate geschikt om 0,75 liter flessen in Bordeaux stijl op te slaan. Ondanks dat er ook groter flessen in kunnen, controleer dan wel dat de deur dan nog goed kan sluiten.

- Altijd controleren dat de deur dicht kan zonder een fles te raken, voordat u hem daadwerkelijk dicht doet.
- Als u meerdere flessen in één keer plaatst, zal het langer duren voordat het apparaat weer op temperatuur is dan bij enkele flessen.
- Omdat veel flessen verschillende vormen hebben, kan het aantal mogelijke flessen die erin kunnen variëren.
- Het maximale aantal is gebaseerd op standaard 0,75 liter flessen in Bordeaux stijl.

Uw wijnen opslaan

De tabel hieronder geeft de ideale temperatuur aan voor verschillende wijnsoorten:

Het wordt aanbevolen de wijnkoeler in te stellen op 12°C.

| <i>Wijnsoort</i> | <i>Temperatuur (Celsius)</i> | <i>Temperatuur (Fahrenheit)</i> |
|--------------------------|------------------------------|---------------------------------|
| Rode wijn | 15 - 18°C | 58 – 65°F |
| Witte wijn | 9 - 14°C | 48 – 79°F |
| Bruisende wijn/champagne | 4 - 8°C | 39 – 47°F |

Opmerking: Het instellen van een te hoge temperatuur kan ervoor zorgen dat de wijn bederft, een te lage temperatuur kan stroomverspilling zijn.

- Een stabiele temperatuur is van groot belang bij de opslag van wijn.
- Blootstelling aan licht, vibraties of schommelingen in temperatuur en luchtvochtigheid kunnen wijn bederven. Indien correct opgeslagen, behouden wijnen niet alleen hun kwaliteit maar vele zullen ook verbeteren in aroma, smaak en complexiteit als ze rijpen.
- Wijnen die bij een hogere temperatuur worden opgeslagen worden sneller oud. Wijn die blootgesteld is aan temperaturen boven de 18°C (64°F) zullen een mindere smaak en aroma hebben.
- Als wijn te lang bij een te lage temperatuur wordt opgeslagen, kan het voor schadelijke afzetting zorgen. Een luchtvochtigheid van 60%~70% is ideaal om te voorkomen dat kurken krimpen.
- Nadat een fles wijn is geopend, komt de wijn in contact met lucht. Dus het is het beste om een geopende fles rechtop te zetten, om het oppervlak dat in contact komt met de lucht tot een minimum te beperken.
- Eenmaal geopend blijft de wijn drinkbaar gedurende 2 dagen bij delicate wijnen, of 3 dagen voor rijke rode, zolang de fles opnieuw wordt afgesloten. U moet controleren dat de fles goed dicht zit door de afsluiting te controleren.
- Speciale doppen die bruisende wijnen en Champagne bruisend houdt voor 1 of 2 dagen na opening, kunnen worden gekocht bij de betere wijnwinkel.
- Indien goed opgeslagen kunnen witte wijnen goed blijven tot wel 2 jaar. Rijke rode wijnen kunnen rijpen tot 10 jaar en dessertwijnen kunnen rijpen tot wel 20 jaar.
- Als u een fles wijn koopt, moet u hem meteen op een geschikte manier opslaan (als u hem niet in de wijnkoeler plaatst)
- Goedkopere wijnen zullen niet zo goed rijpen als duurdere wijnen.
- Voor de beste boeket en smaak van de wijn, een glas nooit verder vullen dan halfvol. Het helpt ook als de vorm van het wijnglas overeenkomt met uw wijn. De grootte en vorm van uw wijnglas zal invloed hebben op de intensiteit en complexiteit van het boeket. De steel dient lang genoeg te zijn om te vermijden dat uw hand in contact komt met de buik van het glas en die hoort een tulpvorm te hebben of bovenin toelopen.

ZORG EN ONDERHOUD

Schoonmaken van uw apparaat

★ Voor installatie van uw nieuwe apparaat, wordt aanbevolen hem eerste grondig schoon te maken.

★ Schakel de koeler eerst uit en haal de stekker uit het stopcontact.

★ Verwijder de inhoud.

★ Maak de binnenkant schoon met een vochtig doekje, natgemaakt in handwarm water met soda-oplossing. De verhouding zou ongeveer 2 eetlepels soda op een liter water.

★ Controleer dat de afdichting schoon is zodat het apparaat efficiënt werkt.

★ De buitenkant van de wijnkoeler moet worden schoongemaakt met een mild schoonmaakmiddel en warm water.

★ Droog de binnen- en buitenkant met een zachte doek.

★ Stof of iets anders wat de ventilatie verhindert kan de koelprestaties van het apparaat benadelen. Maak de ventilatie indien nodig schoon met een stofzuiger.

Vakanties

★ Schakel de koeler eerst uit en haal de stekker uit het stopcontact.

★ Verwijder de gehele inhoud.

★ Maak het apparaat schoon.

★ Laat de deur iets open om mogelijke condens, schimmel of geur te voorkomen.

★ Korte vakanties: Laat de wijnkoeler bij korte vakanties van drie weken of minder in werking.

★ Lange vakanties: Als de wijnkoeler meerdere maanden niet wordt gebruikt, verwijder de inhoud en haal de stekker uit het stopcontact. Maak de binnenkant schoon en droog het goed af. Om mogelijke geuren en schimmel te voorkomen, houd de deur iets open door het te blokkeren indien nodig.

Verplaatsing van uw apparaat

★ Schakel de koeler eerst uit en haal de stekker uit het stopcontact.

★ Verwijder de gehele inhoud.

★ Plak alle losse onderdelen vast in uw apparaat.

★ Plak de deuren dicht.

Energiebesparing tips

- ★ De wijnkoeler moet worden geplaatst in het koudste gedeelte van de kamer, weg van warmtebronnen en niet in direct zonlicht.
- ★ Controleer dat de deur goed gesloten is als de wijnkoeler ingeschakeld is.

PROBLEEMOPLOSSING HANDLEIDING

Veel voorkomende problemen kunnen gemakkelijk worden opgelost, zonder een helpdesk te hoeven bellen. Probeer de onderstaande suggesties om te zien of u het probleem zelf op kunt lossen.

| PROBLEEM | MOGELIJKE OORZAAK |
|------------------------|-----------------------------------------------------------|
| Wijnkoeler werkt niet. | De stekker is niet aangesloten. De stop is gesprongen. |

| | |
|---------------------------------------------------------|--------------------------------------------------------------------------------------------------------------------------------------------------------------------------------------------------------------------------------------------------------------------------------------------------------------------------------------------------------------------------------------------------------------------------------------------------------------------------------------------------------|
| De temperatuur in de wijnkoeler is te hoog. | De temperatuur instelling staat te hoog. Stel de temperatuur lager in en geef het een paar uur tijd om de temperatuur te stabiliseren. Deur is te lang open geweest of wordt te vaak geopend. Iedere keer als de deur wordt geopend stroomt er warme lucht in. Open de deur minder vaak. De deur is niet goed afgesloten. De dichting van de deur sluit niet goed af. De wijnkoeler is langere tijd uitgeschakeld geweest. Er zijn 4 uur nodig om de koeler helemaal te laten afkoelen. |
| De temperatuur in de wijnkoeler is te laag. | De temperatuurinstelling staat te laag. Stel de temperatuur hoger in en geef het een paar uur tijd om de temperatuur te stabiliseren. |
| Vibraties. | Controleer dat de wijnkoeler op een vlakke ondergrond staat. De wijnkoeler staat tegen een muur. Zet de wijnkoeler waterpas. Verplaats het apparaat van de muur af. Als de vibraties blijven, schakel de wijnkoeler uit en haal de stekker uit het stopcontact. Neem contact op met de helpdesk voor meer assistentie. |
| Vocht vormt zich aan de binnenkant van de koelerwanden. | Deur staat iets open. Deur is te lang open geweest of wordt te vaak geopend. Open de deur minder vaak. De deur wordt niet goed afgesloten. |
| Er vormt zich vocht aan de buitenkant van het apparaat. | De deur staat iets open, waardoor koude lucht vanuit het apparaat warme, vochtige lucht van buiten tegenkomt. |
| De deur sluit niet goed. | De wijnkoeler staat niet op een vlakke ondergrond. De afdichting is vuil. |

MILIEU

ATTENTIE:



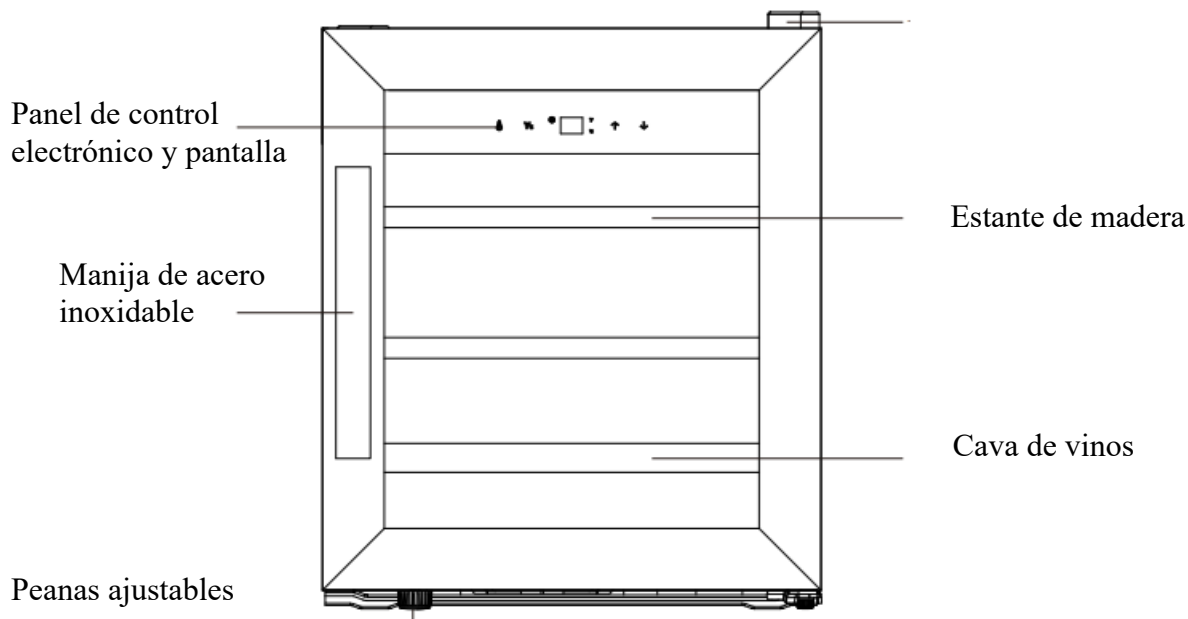
Dit apparaat mag niet met uw ander huishoudelijke toestellen worden verwijderd. Dit product moet op een geselecteerde stortplaats verwijderd worden. U kunt bij de gemeente een indiceerde plaats aanvragen. Elektrisch en elektronische producten kunnen gevaarlijke stoffen inhouden die schadelijk zijn voor mensen en het milieu en moet recycled worden.

Het symbool aan de kant geeft aan dat het een elektrisch en elektronisch toestel is en zijn dus artikelen van een selectieve collectie. Het beeld geeft een afvalbak met een X teken aan.

Adeva SAS / H.Koenig Europe - 8 rue Marc Seguin, 77290 Mitry-Mory, France
www.hkoenig.com - <https://en.hkoenig.com> - Tél: +33 1 64 67 00 05

ESPAÑOL

NOMBRES DE LAS PIEZAS



ESPECIFICACIONES

| | | |
|------------------------------------------------------------|--------|---------------|
| Modelo | | CAVC15 |
| Volumen (litro) | | 46L |
| Material | Hierro | Hierro |
| | Vidrio | Vidrio |
| Dimensiones del producto (Ancho x Profundidad x Altura) mm | | 513*430*480mm |
| Dimensiones del embalaje (Ancho x Profundidad x Altura) mm | | 520*465*545mm |
| Peso Neto (Kg) | | 19.3 KG |
| Peso bruto (Kg) | | 21.5 KG |
| Rango de temperatura | | 4°C-18°C |
| Voltaje nominal | | 220-240V AC |
| Frecuencia nominal | | 50 Hz |
| Corriente nominal | | 0.55 A |

MEDIDAS IMPORTANTES DE SEGURIDAD

| |
|--------------------|
| ADVERTENCIA |
|--------------------|

Para reducir los riesgos de incendio, choques eléctricos o lesiones personales durante el uso de este refrigerador, siga las siguientes precauciones:

Lea atentamente todas las instrucciones antes de usar el refrigerador de vinos y consérvelas para utilizarlas en el futuro.

- **ADVERTENCIA:** Al colocar el aparato, asegúrese de que el cable de alimentación no esté atrapado o dañado.
- **ADVERTENCIA:** No coloque varios enchufes portátiles o fuentes de alimentación portátiles en la parte posterior del electrodoméstico.
- **ADVERTENCIA:** Riesgo de que los niños queden atrapados en el interior del refrigerador.

- Antes de desechar su aparato usado:

Retire las puertas y deje los estantes en su lugar para que los niños no puedan trepar fácilmente.

- Nunca permita que los niños usen, jueguen o se suban al aparato.
- Nunca limpie los componentes del aparato con líquidos inflamables.
- No guarde ni use gasolina o cualquier otro líquido inflamable cerca de este u otro electrodoméstico. Los vapores de estas sustancias pueden crear un riesgo de incendio o una explosión.
- Para limpiar su aparato, no use limpiadores abrasivos ni disolventes.

- Deje 10 cm de espacio libre entre la parte posterior y los lados del aparato para permitir la ventilación del sistema de enfriamiento.
- Para almacenar sus vinos a una temperatura estable, evite dejar la puerta abierta durante mucho tiempo.
- No instale su aparato cerca de fuentes de calor y evite la luz solar directa.
- Instale su aparato sobre una superficie plana, limpia y estable.
- No instale ningún otro equipo eléctrico en su aparato.
- Para garantizar su seguridad, no coloque el aparato en lugares húmedos.

- No almacene alimentos perecederos en este aparato ya que la temperatura interior puede no ser lo suficientemente fría para un almacenamiento adecuado.
- Este aparato de refrigeración no está diseñado para ser utilizado como aparato empotrado en la pared.
- Este aparato no es adecuado para congelar alimentos.
- Este refrigerador está diseñado para el uso doméstico en interiores y aplicaciones domésticas similares tales como:
 - Áreas de cocina en tiendas, oficinas y otros entornos de trabajo.
 - A disposición de huéspedes en hoteles, moteles y otros entornos similares de tipo residencial.
 - Instalaciones como posadas o pensiones.

- Centros de abastecimiento y locales similares con fines no comerciales.
- Este aparato está diseñado para usarse dentro de una casa o apartamento. Para un rendimiento óptimo, es fundamental que la temperatura de la habitación en la que se utilice no sea inferior a 16°C ni superior a 32°C.
- Los niños de 3 a 8 años pueden cargar y descargar aparatos frigoríficos.
- Este refrigerador puede ser utilizado por niños mayores de 8 años, siempre que sean supervisados o hayan sido debidamente instruidos en el uso seguro de la unidad y entienden los peligros implicados.
- La limpieza y el mantenimiento a cargo del usuario no deben ser realizados por niños a menos que tengan al

menos 8 años y estén supervisados por un adulto.

- Mantenga el aparato y su cable de alimentación fuera del alcance de los niños menores de 8 años.
- Al utilizar electrodomésticos, siempre se deben tomar las precauciones básicas de seguridad para reducir los riesgos de incendio, descargas eléctricas y/o lesiones.
- Asegúrese de que la clasificación de voltaje en la placa de características corresponda con el voltaje principal de su hogar. Si no es el caso, comuníquese con el distribuidor y no conecte el aparato.
- El aparato no debe utilizarse si se ha caído, si se ven signos evidentes de daño o si tiene fugas.
- Tenga este documento a mano y entréguelo al futuro propietario en caso de transferencia del aparato.

- Este aparato puede ser utilizado por personas con capacidades físicas, sensoriales o mentales reducidas o con falta de experiencia o conocimientos, siempre que sean supervisadas o instruidas en el uso seguro del aparato y que entiendan perfectamente los peligros potenciales.
- Los niños no deberían jugar con el refrigerador.
- Los niños no deben realizar la limpieza y el mantenimiento del usuario sin supervisión.
- Para evitar la contaminación de los alimentos, respete las siguientes instrucciones:

- Abrir la puerta durante períodos prolongados provoca un aumento significativo de la temperatura en los compartimentos del aparato.
- Limpiar periódicamente las superficies que puedan entrar en contacto con los alimentos y los sistemas de drenaje accesibles.
- No almacene sustancias inflamables, como aerosoles, dentro del aparato, ya que podrían tener fugas o liberar líquidos.
- Si el cable de alimentación está dañado, debe ser reemplazado por el fabricante, su personal técnico o un especialista similar para evitar riesgos potenciales.

- Coloque los estantes como vienen de fábrica que dan como resultado el uso más eficiente de energía para los aparatos de refrigeración.
- Si los alimentos se almacenan durante mucho tiempo, se recomienda envolverlos en una envoltura de plástico y bajar la temperatura.
- Al comprar este electrodoméstico, usted adquiere un aparato que combina ventajas únicas:
 - Menos vibración: para preservar la calidad de los vinos.
 - Tamaño pequeño, ocupando menos espacio.

PRECAUCIÓN: Debido a que los gases refrigerantes son combustibles, se requerirá personal de servicio profesional

para desechar el refrigerador una vez que esté fuera de uso.

ADVERTENCIA: No use este producto en un lugar donde los niños puedan tocarlo y no deje que los niños lo usen solos.

Desechando su refrigerador viejo

Para evitar cualquier daño al medio ambiente o la salud humana causado por la eliminación incontrolada de desechos eléctricos, recicle el dispositivo de manera responsable para promover la reutilización de los recursos materiales. La eliminación debe realizarse de forma segura en los puntos de recogida públicos previstos para este fin.

Los refrigeradores más antiguos pueden contener CFC que destruyen la capa de ozono; comuníquese con el centro de tratamiento de desechos más cercano para obtener más detalles sobre los procedimientos de eliminación adecuados.

Su refrigerador funciona con isobutano refrigerante (R600a), un gas natural que no daña el medio ambiente.

Aunque es inflamable, no daña la capa de ozono y no aumenta el efecto invernadero. Sin embargo, el uso de este refrigerante ha provocado un ligero aumento del nivel de ruido del aparato. Es posible que pueda escuchar el refrigerante fluyendo alrededor del sistema. Esto es inevitable y no tiene ningún efecto adverso en el rendimiento del aparato. Se debe tener cuidado durante la

transportación y la instalación del aparato para que ninguna pieza del sistema de refrigeración resulte dañada. Las fugas de refrigerante pueden dañar los ojos.

-Guarde estas instrucciones-

Una bodega refrigerada es el espacio ideal y más práctico para almacenar vinos. Su función es mantener constantes la temperatura y la humedad en el interior para que los vinos conserven su sabor y aroma. Para mantener las condiciones idóneas el compresor de la bodega trabaja de forma exhaustiva y por eso se pueden escuchar ruidos. La mayoría de las veces se trata de un ruido normal.

Antes de entrar en contacto con el centro de servicios técnicos solicitando asistencia para su bodega refrigerada, lea estas pocas líneas.

Estos ruidos son completamente normales: zumbidos, rugidos, chasquidos, craqueos, etc.

En el momento que el compresor de la bodega se detiene, es posible escuchar un zumbido, rugido, chasquido o ruidos de craqueos. Todos estos sonidos disminuyen cuando el sistema de refrigeración entra en modo estacionario.

Durante el enfriamiento directo, a menudo se puede escuchar algún tipo de crujido irregular, silbido, burbujeo o craqueo cuando el compresor lleva mucho tiempo funcionando o justamente cuando acaba de detenerse. Este ruido es el alivio del estrés termodinámico que sufre el refrigerante debido a expansiones y contracciones

sucesivas siempre que cambia la temperatura, y estos fenómenos para nada afectan el uso normal del aparato.

El compresor consiste en un motor eléctrico y un dispositivo de compresión. Debido al calor que se produce durante la compresión del refrigerante, es muy probable, especialmente en el verano cuando la temperatura ambiente es más alta, que el calor sea emitido por la bodega refrigerada. Todos estos fenómenos son normales.

Para reducir algunos ruidos:

Primero asegúrese de que su bodega esté situada sobre una superficie nivelada.

La ubicación es muy importante, no recueste la bodega refrigerada contra las paredes.

Acomode las botellas de vino en las posiciones correctas según la capacidad para evitar vibraciones no deseadas.

El ruido puede provenir del ventilador de recirculación de aire, verifique que nada esté obstruyendo o interfiriendo el funcionamiento normal del aparato.

INSTRUCCIONES DE INSTALACIÓN

Antes de usar su refrigerador de vinos:

- Retire el material de embalaje por fuera y por dentro.
- Antes de conectar el refrigerador de vinos por primera vez, déjelo reposar en posición vertical durante 24 horas. Esto reducirá la posibilidad de un malfuncionamiento en el sistema de enfriamiento debido a la posible perturbación del gas refrigerante durante la transportación.
- Limpie la superficie interior con agua tibia utilizando un paño suave. **Instalación de su refrigerador de vinos:**

Este refrigerador está diseñado solo para instalación independiente. No debe ser empotrado o incorporado en otro lugar.

Deje 5 pulgadas de espacio libre en la parte posterior y los laterales del refrigerador para permitir una ventilación adecuada. Use las peanas regulables para nivelar el refrigerador. Proteja al refrigerador de la incidencia directa de la luz solar y manténgala alejada de fuentes de calor (cocinas, estufas, radiador, etc.). La incidencia directa de la luz puede dañar el revestimiento de acrílico y las fuentes de calor aumentan el consumo eléctrico. Una temperatura ambiente inferior a 5°C o superior a 32°C hará que disminuya el rendimiento del refrigerador.

Dependiendo de la ubicación del refrigerador, puede cambiar la dirección de la puerta.

Este refrigerador no está diseñado para ser usado en garajes o cualquier otro ambiente exterior.

Evite ubicar el refrigerador de vinos en áreas húmedas.

Enchufe el refrigerador a un tomacorriente de pared correctamente instalado y destinado únicamente al refrigerador. En ninguna circunstancia corte o retire la tercera clavija (salida a tierra) del enchufe. Acuda a un electricista certificado o a un centro de servicios autorizado para cualquier pregunta relacionada con la alimentación eléctrica del refrigerador.

Este producto no está diseñado para ser instalado en un vehículo de paseo o utilizado con un inversor.

Después de conectar el refrigerador al tomacorriente, enciéndalo y déjelo enfriar durante 3 o 4 horas antes de colocar botellas de vino u otras bebidas en su interior.

ADVERTENCIA: Nunca obstruya las aberturas de ventilación que se encuentran en el gabinete del refrigerador.

Conexión eléctrica

ADVERTENCIA

El uso incorrecto del enchufe y la conexión a tierra puede ocasionar una descarga eléctrica. Si el cable de alimentación está deteriorado, acuda a un centro de servicios autorizado para su reemplazo.

Este refrigerador de vinos debe estar debidamente conectado a tierra para su seguridad. El cable de alimentación tiene un enchufe de tres clavijas compatible con los tomacorrientes de pared comunes, esto es para minimizar la posibilidad de una descarga eléctrica.

Bajo ninguna circunstancia corte o retire la tercera clavija (salida a tierra) del enchufe. Este refrigerador de vinos debe ser conectado a un tomacorriente estándar de 220-240 V, corriente alterna, 50 Hz y tres terminales.

Este refrigerador no está diseñado para ser utilizado con un inversor de voltaje.

Para evitar accidentes o lesiones personales, no deje expuesto el cable de alimentación ni colgando por donde pueda entorpecer el paso, asegúrelo debidamente detrás del refrigerador.

No tire del cable de alimentación para desconectarlo del tomacorriente, hágalo agarrando firmemente el enchufe.

No utilice extensiones eléctricas. Si el cable de alimentación es demasiado corto, acuda a un electricista cualificado o al personal de servicios técnicos para que instale un tomacorriente cerca del refrigerador. El uso de un cable de extensión puede afectar negativamente el rendimiento del refrigerador.

No introduzca ni guarde dispositivos eléctricos en el compartimento interior del refrigerador, a menos que sean del tipo recomendado por el fabricante.

No almacene sustancias explosivas tales como latas de aerosol en el refrigerador.

ADVERTENCIA: Tenga cuidado para no dañar los serpentines de refrigeración.



ADVERTENCIA: Riesgo de incendio/materiales inflamables

INSTRUCCIONES DE OPERACIÓN

Control de temperatura:

Control Panel

El panel de control está ubicado en la parte superior del refrigerador.



BOTÓN DE LA LUZ INTERIOR

Para encender o apagar la luz del compartimiento interior.

AJUSTE DE TEMPERATURA (BOTÓN SUBIR)

Se utiliza para aumentar gradualmente la temperatura (calentar el interior) en 1°C o 1°F.

AJUSTE DE TEMPERATURA (BOTÓN BAJAR)

Se utiliza para disminuir gradualmente la temperatura (enfriar el interior) en 1°C o 1°F.

PANTALLA DEL SELECTOR DE ESCALA

Elija mostrar las temperaturas en grados Celsius o Fahrenheit.

Ajustes de temperatura

Su refrigerador tiene un solo compartimiento. La temperatura puede ser ajustada entre 4°C y 18°C (39-65°F). Si almacena en su mayoría vinos tintos, lo ideal es ajustar la temperatura entre 12°C y 18°C (55-64°F). Si almacena en su mayoría vinos blancos y espumosos, lo ideal es ajustar la temperatura entre 4°C y 12°C (39-55°F).

Descripción de los componentes del refrigerador

1) Panel de control

- El panel de control está ubicado en la parte superior de la puerta del refrigerador. Esto permite ajustar y visualizar la temperatura con facilidad.

2) Luz interior

- El refrigerador de vinos cuenta con iluminación en su interior. Esta luz se enciende y se apaga presionando el botón de luz, señalizado con un bombillo en el panel.

3) Botelleros

- Los botelleros son completamente ajustables y se pueden adaptar a botellas de vino de varias formas y tamaños.
- Para prevenir el deterioro de la junta de la puerta, asegúrese de que la puerta esté completamente abierta antes de mover los botelleros en sus correderas hacia afuera.
- Coloque los estantes como vienen de fábrica que dan como resultado el uso más eficiente de energía para los aparatos de refrigeración.

•

INSTRUCCIONES DE USO

Antes de encender el refrigerador

- Asegúrese de que el refrigerador sea instalado por una persona debidamente cualificada, acatando las instrucciones de instalación.
- Cuando reciba su refrigerador, espere 4 horas antes de enchufarlo al tomacorriente, esto es para garantizar que el gas refrigerante se asiente luego de haber sido agitado durante la transportación.
- La parte exterior del refrigerador y sus accesorios desmontables se deben limpiar con una solución de detergente líquido y agua.
- El compartimiento interior del refrigerador se debe limpiar con una solución de bicarbonato de sodio en agua tibia. Una vez terminada la limpieza, debe secar por dentro completamente y también los accesorios desmontables.
- Puede sentir un olor característico cuando encienda el refrigerador por primera vez. Este olor desaparecerá gradualmente a medida que el refrigerador empiece a enfriar.

Durante el primer uso

IMPORTANTE: Cuando use el refrigerador por primera vez o lo encienda luego de haber estado apagado por mucho tiempo, la temperatura configurada y la que se muestra en pantalla pueden diferir en algunos grados. Esto es normal y se debe al período de activación del termostato. Todo volverá a la normalidad después de algunas horas en funcionamiento.

- Cuando encienda el refrigerador por primera vez, el compresor funcionará continuamente hasta que el compartimiento interior alcance una temperatura lo suficientemente fría.
- Durante este período de tiempo, evite abrir la puerta con frecuencia o colocar más botellas de vino en el refrigerador.

- Si al refrigerador le falta el suministro eléctrico, lo desconecta del tomacorriente o lo apaga, debe esperar al menos 5 minutos antes volver a ponerlo en funcionamiento.

Abastecimiento del refrigerador



IMPORTANTE: Su refrigerador es ideal para guardar botellas de vino estilo Bordeaux de 75cl. Aunque es posible almacenar botellas más grandes, debe cerciorarse de que no estorben para que la puerta cierre correctamente.

- Antes de cerrar la puerta de su refrigerador de vinos, compruebe que la misma pueda cerrar sin que se incruste o choque con alguna botella de vino.
- Cuando se introducen varias botellas de vino de una sola vez, el refrigerador tardará más tiempo en enfriar cada botella.
- Debido a la gran diversidad de tamaños y formas de las botellas de vino, la capacidad de almacenamiento del refrigerador es muy variada.
- La capacidad máxima que se informa en este manual se basa en botellas de vino comunes estilo Bordeaux de 75cl.

Conservación de vinos

En la siguiente tabla se indican los rangos de temperatura ideales para almacenar los tipos más comunes de vino.

Se recomienda configurar la temperatura del refrigerador de vinos a 12°C.

| Tipo de vino | Temperatura (Celsius) | Temperatura (Fahrenheit) |
|---------------------------|-----------------------|--------------------------|
| Vinos tintos | 15 – 18°C | 58– 65°F |
| Vinos blancos | 9 - 14°C | 48 – 79°F |
| Vinos espumosos/champañas | 4 – 8°C | 39 – 47°F |

Nota: Configurar la temperatura demasiado alta puede hacer que el vino se eche a perder, y configurar la temperatura demasiado baja puede desperdiciar electricidad.

- La estabilidad de la temperatura es el factor más importante cuando se trata de la conservación de vinos.
- La exposición a la luz, las vibraciones o las fluctuaciones de temperatura y humedad pueden provocar el deterioro del vino. Cuando el vino se almacena en las condiciones correctas, no sólo preserva su calidad, sino que muchos adquieren su mejor cuerpo, sabor y aroma con el envejecimiento.
- Los vinos que se almacenan a temperaturas altas envejecerán más rápidamente. Los vinos expuestos a temperaturas superiores a 18°C (64°F) perderán mucho de su sabor y aroma.
- Si el vino se almacena a temperaturas demasiado bajas, pueden aparecer sedimentos dañinos en las botellas. Para prevenir la contracción del corcho, la humedad relativa se debe mantener en 60-70%.
- Una vez abierta una botella, el vino entra en contacto con el aire. Si no bebe todo el vino, lo mejor es guardar la botella en posición vertical para minimizar la superficie de contacto entre el vino sobrante y el aire.
- Una vez abierta una botella, el vino permanecerá en buenas condiciones para el consumo durante 2 días si es blanco suave o 3 días si es tinto con cuerpo, siempre y cuando vuelva a sellar la botella. Compruebe que el corcho esté apretado con firmeza.
- En casi todas las tiendas especializadas en vino se venden corchos especiales para mantener las burbujas de vinos espumosos y champán por 1 o 2 días más después de abrir las botellas.
- Cuando se almacenan correctamente, los vinos blancos pueden permanecer en buenas condiciones por hasta 2 años. Los vinos tintos de gran cuerpo envejecen por hasta 10 años y los vinos de sobremesa

duran alrededor de 20 años.

- Cuando compre una botella de vino, la debe guardar de inmediato en un local con las condiciones adecuadas (cuando no la vaya a guardar en su refrigerador de vinos).
- Las botellas de vino más baratas perduran menos tiempo que aquellas más caras.
- Para degustar el vino con su mejor aroma y sabor, nunca llene más de medio vaso a la vez. También ayuda mucho servir en una copa con la forma apropiada para su tipo de vino. El tamaño y la forma de la copa son determinantes para degustar todo el aroma y el cuerpo de su vino. El fuste de la copa debe ser lo suficientemente largo como para evitar que su mano entre en contacto con el cáliz y la boca debe ser cóncava hacia el interior.

LIMPIEZA Y MANTENIMIENTO

Limpieza del refrigerador

- * Antes de instalar su nuevo refrigerador de vinos, se recomienda que lo limpie a fondo.
- * Primero apague el refrigerador y luego desenchufe el cable de alimentación del tomacorriente.
- * Vacíe el refrigerador.
- * Limpie el interior del refrigerador usando un paño húmedo con agua tibia y una solución de bicarbonato de sodio. Esta solución debe ser preparada con 2 cucharadas de bicarbonato de sodio en 1 litro de agua.

- * Asegúrese de mantener limpia la junta de la puerta (sello) para que el refrigerador pueda funcionar de forma eficiente.
- * Limpie las partes exteriores del refrigerador con detergente suave y agua tibia.
- * Seque bien el refrigerador por fuera y por dentro, con un paño suave.
- * El polvo o cualquier otra cosa que obstruya las aberturas de ventilación pueden afectar la eficiencia del refrigerador. Limpie o aspire las ranuras de ventilación si es necesario.

Período vacacional

- * Apague el refrigerador de vinos y desenchufe el cable de alimentación del tomacorriente.
- * Vacíe el refrigerador.
- * Limpie el refrigerador.

- * Deje la puerta ligeramente abierta para evitar que condense la humedad, el mal olor o la formación de moho.
- * Vacaciones cortas: Puede dejar el refrigerador en funcionamiento si sus vacaciones duran menos de tres semanas.
- * Vacaciones largas: Si no pretende usar el refrigerador por varios meses, retire todas las botellas de vino de su interior y desconéctelo del tomacorriente. Limpie y seque completamente el interior del refrigerador. Para evitar el mal olor o la formación de moho, deje la puerta ligeramente abierta, bloqueándola si es necesario.

Movimentación del refrigerador

- * Primero apague el refrigerador y luego desenchufe el cable de alimentación del tomacorriente.
- * Vacíe el refrigerador.
- * Asegure firmemente todos los accesorios sueltos en el interior del refrigerador con cinta adhesiva.
- * Cierre la puerta y asegúrela firmemente usando una soga o cinta adhesiva.

Consejos para ahorrar energía

- * El refrigerador de vinos se debe instalar en la zona más fresca de la habitación, lejos de cualquier dispositivo que genere calor (incluyendo los conductos de calefacción) y protegido de la incidencia directa de la luz solar.
- * Asegúrese de que la puerta esté bien cerrada cuando el refrigerador esté encendido.

SOLUCIÓN DE PROBLEMAS

Usted puede solucionar fácilmente varios problemas comunes en el refrigerador de vinos, ahorrándose el costo de una posible visita al centro de servicios técnicos. Primero intente solucionar el problema con las sugerencias que se presentan a continuación, antes de llamar al centro de asistencia.

| PROBLEMA | CAUSAS POSIBLES |
|-------------------------------------------------------------------|----------------------------------------------------------------------------------------------------------------------------------------------------------------------------------------------------------------------------------------------------------------------------------------------------------------------------------------------------------------------------------------------------------------------------------------------------------------------------------------------------------------------------------------------------------------------|
| El refrigerador de vinos no funciona. | El cable de alimentación está desconectado. El disyuntor de su red eléctrica está caído o el fusible está fundido. |
| La temperatura en el interior del refrigerador es demasiado alta. | La temperatura ajustada es demasiada alta. Disminuya la temperatura a través del panel de control y espere algunas horas hasta que se estabilice. La puerta se mantiene abierta por mucho tiempo o se abre con mucha frecuencia. El aire caliente entra al refrigerador cada vez que se abre la puerta. Abra la puerta con menos frecuencia. La puerta no está bien cerrada. La junta de la puerta no sella bien. Hubo una falla de electricidad reciente o se desconectó el refrigerador, demora unas 4 horas para estabilizar de nuevo la temperatura. |
| La temperatura en el interior del refrigerador es demasiado baja. | La temperatura ajustada es demasiada baja. Aumente la temperatura a través del panel de control y espere algunas horas hasta que se estabilice. |
| Vibración excesiva. | Compruebe que el refrigerador esté sobre una superficie nivelada y revise si está pegado a la pared posterior. Vuelva a nivelar el refrigerador y sepárelo de la pared. Si la vibración continúa, apague el refrigerador y desconecte el enchufe del tomacorriente. Acuda al Departamento de Atención al Cliente para recibir ayuda especializada. |
| Humedad o condensación en el interior del refrigerador. | La puerta se queda ligeramente abierta. La puerta se mantiene abierta por mucho tiempo o se abre con mucha frecuencia. Abra la puerta con menos frecuencia. La junta de la puerta no sella bien. |
| Humedad o condensación en el exterior del refrigerador. | La puerta está ligeramente abierta, provocando que el aire frío del interior del refrigerador se mezcle con el aire caliente y húmedo del exterior. |
| No puede cerrar bien la puerta. | El refrigerador no está colocado sobre una superficie plana o no está bien nivelado. La junta de la puerta está sucia. |

MEDIO AMBIENTE

ATENCIÓN:

No se deshaga de este producto como lo hace con otros productos del hogar. Existe un sistema selectivo de colecta de este producto puesto en marcha por las comunidades, debe de informarse en su ayuntamiento

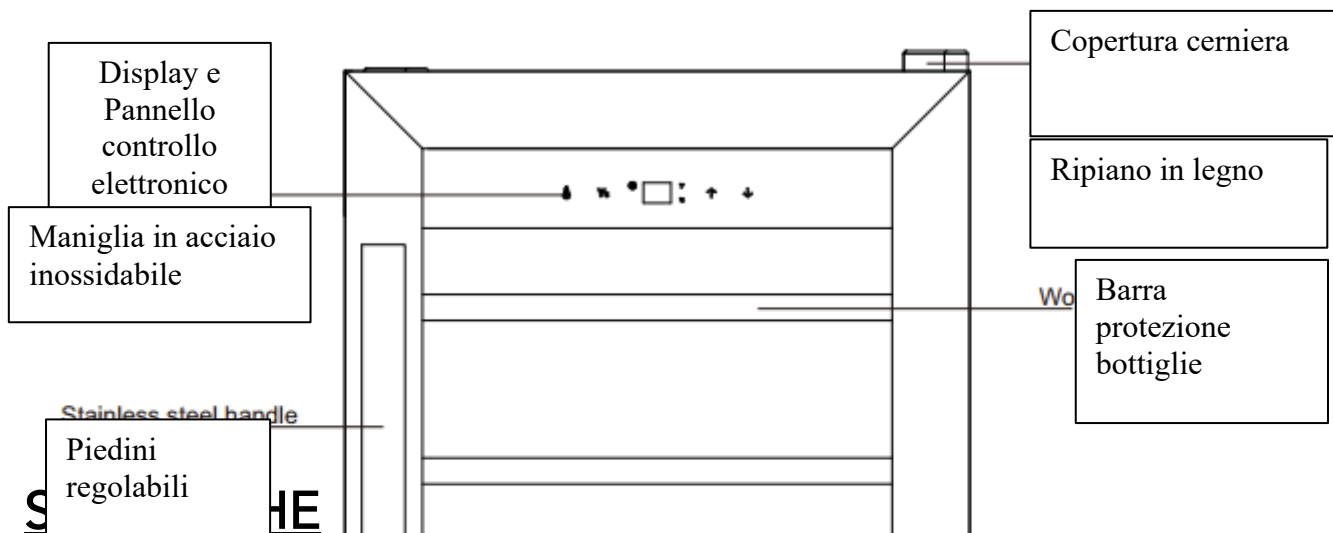


acerca de los lugares en los que puede depositar este producto. De hecho, los productos eléctricos y electrónicos pueden contener sustancias peligrosas que tienen efectos nefastos para el medio ambiente o para la salud humana y deben ser reciclados. El símbolo aquí presente indica que los equipos eléctricos o electrónicos deben de ser cuidadosamente seleccionados, representa un recipiente de basura con ruedas marcado con una X.

Adeva SAS / H.Koenig Europe - 8 rue Marc Seguin, 77290 Mitry-Mory, France
www.hkoenig.com - <https://sac.hkoenig.com/> - Tél: +33 1 64 67 00 05

ITALIANO

NOMI DELLE PARTI



| | | |
|--------------------------------------------|----------------|--------|
| | TIPO | CAVITÀ |
| | Volume (litri) | 46L |
| Materiale | Ferro | Ferro |
| | Vetro | Vetro |
| Dimensione dell'unità (WxDxH) (millimetri) | 513*430*480mm | |
| Dimensione dell'imballaggio (LxPxA) (mm) | 520*465*545mm | |
| Peso netto (Kg) | 19,3 KG | |
| Peso Lordo (Kg) | 21,5 KG | |
| Intervallo di temperatura | 4°C-18°C | |
| Tensione nominale | 220-240VAC | |
| Frequenza nominale | 50Hz | |
| Corrente Nominale | 0,55A | |

IMPORTANTI ISTRUZIONI DI SICUREZZA

⚠ **AVVERTIMENTO** ⚠ Per ridurre il rischio di incendi, scosse elettriche o lesioni durante l'utilizzo dell'apparecchio, seguire queste precauzioni di base:

Leggere attentamente queste istruzioni per l'uso prima di utilizzare il dispositivo e conservarle per un uso futuro.

- **AVVERTIMENTO:** Quando si posiziona l'apparecchio, assicurarsi che il cavo di alimentazione non sia intrappolato o danneggiato.
- **AVVERTIMENTO:** Non collocare più prese portatili o alimentatori portatili sul retro dell'apparecchio.
- **AVVERTIMENTO:** Rischio di intrappolamento di bambini.
- Prima di smaltire l' apparecchio:
- Rimuovere le ante e lasciare i ripiani in posizione in modo che un bambino non possa entrare facilmente nell'unità.

- Non permettere mai ai bambini di usare, giocare o arrampicarsi sull'unità.
- Non pulire mai i componenti dell'unità con liquidi infiammabili.
- Non conservare o utilizzare benzina o altri liquidi o gas infiammabili vicino a questo o ad altri apparecchi. I vapori presentano un rischio di incendio o esplosione.
- Per pulire l' apparecchio, non utilizzare detergenti o solventi abrasivi
- Lasciare 15 cm di spazio libero tra il retro e i lati dell'unità per consentire la ventilazione del sistema di raffreddamento.
- Per conservare il vino a temperatura stabile, evitare di

lasciare la porta aperta troppo a lungo.

- Non installare l'apparecchio vicino a una fonte di calore ed evitare la luce solare diretta.
- Installare l'apparecchio su un pavimento piano, pulito e stabile.
- Non installare nessun'altra apparecchiatura elettrica sull'apparecchio.
- Per garantire la tua sicurezza, non posizionare l'apparecchio in luoghi umidi.
- Non conservare alimenti deperibili in questo apparecchio poiché la temperatura interna potrebbe non essere sufficientemente fredda per una corretta conservazione.

- Questo apparecchio di refrigerazione non è concepito per essere utilizzato come apparecchio ad incasso.
- Questo apparecchio di refrigerazione non è adatto per congelare alimenti.
- Questo apparecchio è destinato all'uso in applicazioni domestiche e simili, ma non nei seguenti casi:
 - aree cucina del personale in negozi, uffici e altri ambienti di lavoro;
 - agriturismi e da clienti in hotel, motel e altri ambienti di tipo residenziale;
 - –bed and breakfast;
 - catering e applicazioni simili non al dettaglio.
- Questo dispositivo è progettato per l'uso all'interno di

una casa o di un appartamento. È fondamentale che la temperatura dell'ambiente in cui viene utilizzato non sia inferiore a 16°C o superiore a 32°C per un utilizzo ottimale.

- I bambini dai 3 agli 8 anni possono caricare e scaricare apparecchi frigoriferi.
- Questo apparecchio può essere utilizzato da bambini di almeno 8 anni di età, a condizione che siano controllati e abbiano ricevuto istruzioni sull'uso sicuro dell'apparecchio e siano pienamente consapevoli dei pericoli annessi.
- La pulizia e la manutenzione non devono essere eseguite da bambini a meno che non abbiano almeno

8 anni di età e siano supervisionati da un adulto.

- Tenere l'apparecchio e il cavo di alimentazione fuori dalla portata dei bambini di età inferiore a 8 anni.
- Quando si utilizzano apparecchiature elettriche, devono essere sempre prese precauzioni di sicurezza per prevenire il rischio di incendio, scosse elettriche e/o lesioni in caso di uso improprio.
- Assicurarsi che la tensione nominale sulla targhetta corrisponda alla tensione principale dell'impianto elettrico. In caso contrario, contattare il rivenditore e non collegare l'unità.
- Il dispositivo non deve essere utilizzato se è caduto, se sono visibili segni evidenti di danneggiamento o se

presenta perdite.

- Tenere questo documento a portata di mano e consegnarlo al futuro proprietario in caso di trasferimento dell' apparecchio
- Questo apparecchio può essere usato da persone con ridotte capacità fisiche, sensoriali o mentali o con mancanza di esperienza o conoscenza, a condizione che siano sorvegliate o istruite sull'uso sicuro dell'apparecchio e che comprendano pienamente i potenziali pericoli.
- I bambini non devono giocare con l'apparecchio.
- La pulizia e la manutenzione non devono essere eseguite da bambini senza supervisione.

- Per evitare la contaminazione degli alimenti, si prega di rispettare le seguenti istruzioni:
 - L'apertura prolungata della porta può provocare un aumento significativo della temperatura nei vani dell'apparecchio.
 - Pulire regolarmente le superfici che possono venire a contatto con alimenti e sistemi di drenaggio accessibili.
- - Se l'apparecchio refrigerante viene lasciato vuoto per lunghi periodi, spegnere, scongelare, pulire, asciugare e lasciare la porta aperta per evitare la formazione di muffe all'interno dell'apparecchio.
- Non conservare sostanze esplosive come bombolette

spray con propellente infiammabile in questo apparecchio.

- Se il cavo di alimentazione è danneggiato, deve essere sostituito dal produttore, dal suo agente di servizio o da persone similmente qualificate per evitare pericoli.
- I ripiani sono posizionati in modalità di fabbrica che rappresenta la modalità più efficiente dell'energia per gli apparecchi di refrigerazione.
- Se il cibo viene conservato per lungo tempo, si consiglia di avvolgerlo in un involucro di plastica e di abbassare la temperatura.
- Con l'acquisto di questo elettrodomestico, si entra in possesso un dispositivo che unisce vantaggi unici:

- ♦ Meno vibrazioni: per preservare la qualità dei vini.
- ♦ Di piccole dimensioni, occupa meno spazio.

ATTENZIONE: Poiché i gas refrigeranti sono combustibili, lo smaltimento del refrigeratore elettrico una volta fuori uso dovrà essere effettuato da personale qualificato.

AVVERTIMENTO: Non utilizzare questo prodotto in un luogo in cui i bambini possono toccarlo e non lasciare che i bambini lo usino da soli.

Smaltimento dei rifiuti

Per evitare danni all'ambiente o alla salute causati dallo smaltimento incontrollato dei rifiuti elettrici, riciclare il dispositivo in modo responsabile per promuovere il riutilizzo delle risorse materiali. Lo smaltimento deve essere

effettuato in sicurezza presso i punti di raccolta pubblici previsti a tale scopo.

I frigoriferi più vecchi possono contenere CFC che distruggono lo strato di ozono; contattare il centro di trattamento dei rifiuti più vicino per maggiori dettagli sulle corrette procedure di smaltimento.

Questo apparecchio contiene il liquido di raffreddamento isobutene (R600a), un gas naturale che rispetta l'ambiente.

Pur essendo infiammabile, non danneggia lo strato di ozono e non aumenta l'effetto serra. L'utilizzo di questo liquido di raffreddamento ha però comportato un leggero aumento della rumorosità dell'apparecchio. Potrebbe

essere possibile sentire il liquido di raffreddamento che scorre all'interno del sistema.

Ciò è inevitabile e non ha alcun effetto negativo sulle prestazioni dell'apparecchio. Durante il trasporto e l'installazione dell'apparecchio è necessario prestare attenzione affinché nessuna parte del sistema di raffreddamento venga danneggiata. La fuoriuscita di refrigerante può danneggiare gli occhi.

-Conservare queste istruzioni-

Una cantinetta è lo spazio più pratico per conservare i vini.

Il suo ruolo è quello di bilanciare la temperatura e

l'umidità all'interno in modo che il vino non perda il suo

gusto e i suoi aromi.

A causa di queste particolari operazioni, si possono sentire dei rumori. Il più delle volte, si tratta di rumori normali.

Prima di chiamare il servizio tecnico per assistenza, leggere queste poche righe.

Questi suoni sono del tutto normali: ronzii, click, scricchiolii ...

Quando la cantinetta ha appena smesso di funzionare, è possibile sentire un ronzio, un click o un rumore stridulo.

Quando il funzionamento si stabilizza, i suoni si attenuano.

Per il raffreddamento diretto, si può spesso sentire

qualche tipo di crepitio irregolare, sibilo, gorgoglio,

quando il compressore è in funzione per un po' o si è

appena spento. Questo suono è causato dallo stress

dovuto all'espansione e alla contrazione del cambio di

temperatura e non influenzerà il corretto funzionamento del prodotto.

Il compressore è costituito da un motore elettrico e da un dispositivo di compressione. A causa del calore prodotto durante la compressione del refrigerante, è possibile, soprattutto in estate quando la temperatura ambiente è più elevata, che venga emesso calore dalla cantina. Tutti questi fenomeni sono normali.

Per ridurre alcuni rumori:

Innanzitutto, assicurarsi che la cantinetta sia su una superficie piana.

La posizione è importante, non appoggiare la cantinetta al muro.

Le bottiglie devono essere caricate correttamente per evitare vibrazioni indirette.

Il rumore può provenire dalla ventola di circolazione, verificare che nulla interferisca con il suo funzionamento.

ISTRUZIONI PER L'INSTALLAZIONE

Prima di utilizzare la cantinetta vino

Rimuovere l'imballaggio esterno ed interno.

Prima di collegare la cantinetta alla presa di corrente, lasciarla in piedi per circa 4 ore. Ciò ridurrà la possibilità di un malfunzionamento del sistema di raffreddamento dovuto a una manipolazione impropria durante il trasporto. Pulire la superficie interna con acqua tiepida utilizzando un panno morbido.

Installazione della cantinetta vino

Questa cantinetta per vino è progettata per essere solo autoportante e non deve essere incassata o incorporata. Lasciare 15 cm di spazio tra la parte posteriore e i lati della cantinetta, al fine di consentire la corretta ventilazione dell'aria. Regolare i piedini per mantenere a livello la cantinetta. Posizionare la cantinetta al riparo dalla luce diretta del sole e da fonti di calore (stufe, caloriferi, termosifoni, ecc.). La luce solare diretta può influenzare il rivestimento acrilico e le fonti di calore possono aumentare il consumo elettrico. Una temperatura ambiente inferiore a 5°C o superiore a 32°C ostacolerà le prestazioni di questo apparecchio.

A seconda della posizione dell'apparecchio, è possibile modificare la direzione di apertura della porta.

Questa unità non è progettata per l'uso in garage o qualsiasi altra installazione esterna.

Evitare di posizionare la cantinetta in ambienti umidi.

Collegare la cantinetta per vino a una presa a muro con messa a terra dedicata e correttamente installata. Non tagliare o rimuovere in nessun caso il terzo polo (messa a terra) dal cavo di alimentazione. Qualsiasi domanda relativa all'alimentazione e/o alla messa a terra deve essere rivolta a un elettricista certificato o a un centro di assistenza autorizzato.

Questa unità non è progettata per essere installata in un camper o utilizzata con un inverter.

Dopo aver collegato la cantinetta per vino a una presa a muro, accendere l'unità e lasciarla raffreddare per 3 ~ 4 ore prima di posizionare bottiglie di vino o bevande nell'apparecchio.

AVVERTENZA: Mantenere le aperture di ventilazione nell'involucro dell'apparecchio, libere da ostruzioni.

Connessione elettrica



L'uso improprio della spina con messa a terra può comportare il rischio di scosse elettriche. Se il cavo di alimentazione è danneggiato, farlo sostituire da un centro di assistenza autorizzato.

Questa cantinetta per vino deve essere adeguatamente collegata a terra al fine di garantire la totale sicurezza. Il cavo di alimentazione di questa cantinetta per vino è dotato di una spina a tre poli che si accoppia con prese a muro standard a tre poli per ridurre al minimo la possibilità di scosse elettriche.

Non tagliare o rimuovere in nessun caso il terzo polo di messa a terra dal cavo di alimentazione in dotazione. Questa cantinetta per vino richiede una presa elettrica standard da 220-240 Volt AC/50Hz a tre punte.

Questa cantinetta non è progettata per essere utilizzata con un inverter.

Il cavo deve essere fissato dietro la cantinetta e non lasciato esposto o penzolante per evitare lesioni accidentali.

Non scollegare mai la cantinetta tirando il cavo di alimentazione. Afferrare sempre saldamente la spina ed estrarla dalla presa.

Non utilizzare una prolunga con questo apparecchio. Se il cavo di alimentazione è troppo corto, far installare una presa vicino all'apparecchio da un elettricista qualificato o da un tecnico dell'assistenza. L'uso di una prolunga può influire negativamente sulle prestazioni dell'unità.

Non utilizzare apparecchi elettrici all'interno dei vani per la conservazione degli alimenti dell'apparecchio, a meno che non siano del tipo consigliato dal produttore.

Non conservare sostanze esplosive come bombolette spray con propellente infiammabile in questo apparecchio.

ATTENZIONE: Non danneggiare il circuito refrigerante.



**ATTENZIONE: PERICOLO D'INCENDIO / MATERIALE
INFIAMMABILE**

FUNZIONAMENTO DELL'APPARECCHIO

Controllo della temperatura

Pannello di controllo

Il pannello di controllo si trova nella parte superiore della porta.



PULSANTE LUCE



Per accendere o spegnere la luce interna.

PULSANTE IMPOSTAZIONE TEMPERATURA (PULSANTE SU)



Utilizzato per aumentare (riscaldare) la temperatura impostata di 1°C o 1°F.

PULSANTE IMPOSTAZIONE TEMPERATURA (PULSANTE GIÙ)



Utilizzato per abbassare (raffreddare) la temperatura impostata di 1°C o 1°F.

VISUALIZZAZIONE SELETTORE



Scegli di visualizzare le temperature in gradi Celsius o Fahrenheit.

SELEZIONA LA TEMPERATURA

La cantinetta ha un unico scomparto. La temperatura può essere scelta tra 4°C e 18°C (39° e 65°F). Si consiglia di impostare la temperatura tra 12°C e 18°C (55-64°F) ideale per la conservazione dei vini rossi e di regolare tra 4 e 12°C (39-55°F) gamma adatta a champagne e vini bianchi.

Descrizione delle caratteristiche del prodotto

1) Pannello di controllo

- Il pannello di controllo si trova nella parte superiore dell'apparecchio, è molto facile impostare la temperatura dell'apparecchio e vedere a quale temperatura è impostato l'apparecchio.

2) Luce interna

- La cantinetta è dotata di una luce interna. La luce può essere accesa e spenta utilizzando il pulsante di controllo della luce.

3) I ripiani della cantinetta

- I ripiani sono completamente regolabili per adattarsi a varie forme e dimensioni delle bottiglie di vino.
- Per evitare di danneggiare la guarnizione della porta, assicurarsi che la porta sia completamente aperta quando si estraggono i ripiani dal vano della guida.
- I ripiani sono posizionati in modalità di fabbrica che rappresenta la modalità più efficiente dell'utilizzo dell'energia per gli apparecchi refrigeranti.

Utilizzo del dispositivo di raffreddamento del vino

Prima di accendere l'apparecchio

- Assicurarsi che sia stato installato da una persona adeguatamente qualificata, secondo le informazioni contenute nelle istruzioni di installazione.
- Dopo la consegna, attendere quattro ore prima di collegare l'apparecchio alla rete elettrica. Ciò consentirà al gas refrigerante smosso durante il processo di trasporto di stabilizzarsi.
- L'esterno dell'apparecchio e gli accessori rimovibili in esso contenuti, devono essere puliti con una soluzione di detersivo liquido e acqua.
- L'interno dell'apparecchio va pulito con una soluzione di bicarbonato di sodio sciolto in acqua tiepida. L'interno e gli accessori devono essere asciugati accuratamente, al termine del processo di pulizia.
- Alla prima accensione dell'apparecchio potrebbe esserci un odore. Si ridurrà man mano che l'apparecchio inizia a raffreddarsi.

Durante il primo utilizzo

IMPORTANTE: Quando si utilizza la cantinetta per la prima volta o si riavvia l'apparecchio dopo un lungo periodo di inattività, potrebbe esserci una variazione di alcuni gradi tra la temperatura selezionata e quella indicata sul display a LED. Questo è normale ed è dovuto al tempo necessario per l'attivazione. Dopo alcune ore di funzionamento della cantinetta tutto tornerà alla normalità.

- Quando si accende l'apparecchio per la prima volta, il compressore funzionerà in modo continuo fino a quando la cantinetta non raggiunge una temperatura di raffreddamento adeguata.
- Durante questo periodo di tempo, si dovrebbe cercare di non aprire frequentemente lo sportello o di inserire bottiglie all'interno dell'apparecchio.
- Se l'unità viene spenta o scollegata, è necessario attendere almeno 5 minuti prima di riavviare l'apparecchio o ricollegandolo alla rete elettrica.

Caricamento della cantinetta vino



IMPORTANTE: Questo apparecchio è ideale per conservare bottiglie di vino in stile bordolese da 0,75 litri. Sebbene possa contenere bottiglie più grandi, è necessario assicurarsi che non impediscano la corretta chiusura della porta.

- Verificare sempre che sia possibile chiudere la porta senza che sbatta su una bottiglia di vino, prima di chiuderla.
- Quando si caricano più bottiglie di vino contemporaneamente, l'apparecchio impiegherà più tempo per raffreddare le singole bottiglie.
- Poiché molte bottiglie possono differire per dimensioni e forma, il numero effettivo di bottiglie che puoi conservare può variare.

- Il numero massimo di stoccaggio si basa su bottiglie di vino in stile bordolese standard da 0,75 litri.

Conservazione dei vini

La tabella sottostante indica le temperature di conservazione ideali per i diversi tipi di vino:

Si consiglia di impostare la cantinetta vino sui 12°C.

| <i>Tipo di vino</i> | <i>Temperatura (Centigradl)</i> | <i>Temperatura (Fahrenheit)</i> |
|---------------------|---------------------------------|---------------------------------|
| Vino rosso | 15 – 18°C | 58 – 65 °F |
| Vino bianco | 9 - 14°C | 48 – 79°F |
| Spumanti/Champagne | 4 – 8°C | 39 – 47 ° F |

Nota: l'impostazione di una temperatura troppo alta può causare il deterioramento del vino, mentre l'impostazione di una temperatura troppo bassa può sprecare elettricità.

- La stabilità della temperatura è il fattore più importante quando si tratta di conservare il vino.
- L'esposizione alla luce, alle vibrazioni o agli sbalzi di temperatura e umidità possono causare il deterioramento del vino. Quando correttamente conservati, i vini non solo mantengono la loro qualità, ma molti addirittura migliorano in aroma, sapore e complessità man mano che maturano.
- I vini mantenuti a una temperatura più alta invecchieranno più velocemente. Il vino esposto a temperature superiori a 18°C (64 ° F) avranno un sapore e aroma più scarsi.
- Se il vino viene mantenuto a una temperatura troppo bassa, potrebbero svilupparsi di depositi dannosi. Un'umidità del 60%~70% è l'ideale per evitare che i tappi si restringano.
- Dopo che una bottiglia di vino è stata aperta, il vino entra in contatto con l'aria. Quindi è meglio conservare il resto di
- la bottiglia in posizione verticale, per ridurre al minimo la superficie del vino a contatto con l'aria.
- Una volta stappato, il vino resterà bevibile per due giorni per i bianchi delicati o tre giorni per i rossi ricchi,
- purché la bottiglia sia stata risigillata. Assicurarsi che la tenuta sia salda controllando il tappo.
- Tappi speciali che mantengono il vino frizzante e lo champagne spumeggiante per uno o due giorni dopo l'apertura, possono essere acquistati presso la maggior parte delle buone enoteche.
- I vini bianchi, se conservati correttamente, si conservano bene fino a due anni. I rossi corposi invecchieranno bene per dieci anni e i vini da dessert invecchiano bene fino a venti anni.
- Quando acquisti una bottiglia di vino, dovresti trasferirla immediatamente in un luogo di conservazione adatto (se non è possibile conservarlo nella cantinetta).
- Le bottiglie di vino più economiche non invecchieranno come quelle più costose.
- Per sfruttare al meglio il profumo e il gusto del tuo vino, non riempire mai più di mezzo bicchiere alla volta. Aiuterà anche se la forma del bicchiere da vino è appropriata al tipo vino. Le dimensioni e la forma della coppa del bicchiere da vino determinano l'intensità e la complessità del bouquet. Il gambo dovrebbe essere abbastanza lungo da permetterci di evitare che la mano entri in contatto con la coppa del bicchiere, che deve essere a forma di tulipano o affusolato nella parte superiore.

CURA E MANUTENZIONE

Pulizia dell'apparecchio

- ★ Prima di installare del vostro nuovo apparecchio, si consiglia di pulirlo accuratamente.
- ★ Spegnerne prima la cantinetta e poi scollegare l'unità dalla presa a muro.
- ★ Rimuovere tutti i contenuti.
- ★ Lavare l'interno con un panno caldo umido imbevuto di acqua tiepida e soluzione di bicarbonato di sodio.
La soluzione dovrebbe essere di circa 2 cucchiaini di bicarbonato di sodio in un litro d'acqua.
- ★ Assicurarsi di mantenere pulita la guarnizione della porta (guarnizione) per mantenere l'unità in funzione in modo efficiente.
- ★ L'esterno della cantinetta deve essere pulito con un detergente delicato e acqua tiepida.
- ★ Asciugare l'interno e l'esterno con un panno morbido.
- ★ La polvere o qualsiasi altra cosa che ostruisce lo sfiato può ostacolare l'efficienza di raffreddamento dell'apparecchio. Se necessario, aspirare lo sfiato.

Ferie

- ★ Spegnerne la cantinetta e poi scollegare l'unità dalla presa a muro.
- ★ Rimuovere tutto il contenuto.
- ★ Pulire l'apparecchio.
- ★ Lasciare il coperchio leggermente aperto per evitare la possibile formazione di condensa, muffe o odori.

- ★ Vacanze brevi: lasciare la cantinetta in funzione durante le vacanze inferiori a tre settimane.
- ★ Vacanze lunghe: se la cantinetta non viene utilizzata per diversi mesi, rimuovere tutto il contenuto e scollegare il cavo di alimentazione. Pulire e asciugare accuratamente l'interno. Per prevenire la formazione di odori e muffe, lasciare leggermente aperta la porta: bloccandola se necessario.

Spostare l'apparecchio

- ★ Spegnere la cantinetta prima e poi scollegare l'unità dalla presa a muro.
- ★ Rimuovere tutto il contenuto.
- ★ Fissare saldamente tutti gli oggetti sciolti all'interno dell'apparecchio.
- ★ Chiudi le porte con del nastro adesivo.

Suggerimenti per il risparmio energetico

- ★ La cantinetta vino deve essere collocata nella zona più fresca della stanza, lontano da apparecchi che producono calore o condotti di riscaldamento e al riparo dalla luce solare diretta.
- ★ Assicurarsi che la porta sia chiusa correttamente quando la cantinetta è accesa.

GUIDA ALLA RISOLUZIONE DEI PROBLEMI


Puoi risolvere facilmente molti problemi comuni della cantinetta vino, risparmiando il costo di un'eventuale chiamata all'assistenza.

Prova i suggerimenti seguenti per vedere se riesci a risolvere il problema prima di chiamare l'assistenza.

| PROBLEMA | POSSIBILE CAUSA |
|-------------------------------------------------------------|--------------------------------------------------------------------------------------------------------------------------------------------------------------------------------------------------------------------------------------------------------------------------------------------------------------------------------------------------------------------------------------------------------------------------------------------------------------------------------------------------------------------------------------------------------------------------|
| La cantinetta vino non funziona. | Non collegata. L'interruttore automatico è scattato o un fusibile bruciato. |
| La temperatura all'interno della cantinetta è troppo alta. | La temperatura impostata è troppo elevata. Impostare una temperatura più fredda e attendere diverse ore affinché la temperatura si stabilizzi. La porta viene tenuta aperta troppo a lungo o viene aperta troppo frequentemente. L'aria entra nella cantinetta ogni volta che si apre la porta. Aperire la porta meno spesso. La porta non è chiusa completamente. La guarnizione della porta non chiude bene. La cantinetta è stata recentemente scollegata per un pò di tempo. Sono necessarie 4 ore affinché la cantinetta si raffreddi completamente. |
| La temperatura all'interno della cantinetta è troppo bassa. | La temperatura impostata è troppo fredda. Impostare una temperatura più calda e attendere diverse ore affinché la temperatura si stabilizzi. |
| Vibrazioni. | Verificare che la cantinetta vino sia su una superficie piana. La cantinetta sta toccando il muro. Rilivellare la cantinetta vino e spostarla dal muro. Se si verificano vibrazioni continue, spegnere la cantinetta e scollegare la spina di alimentazione. Contattare il servizio clienti per ulteriore assistenza. |
| Si forma umidità sulle pareti interne della cantinetta. | La porta è leggermente aperta. La porta viene tenuta aperta troppo a lungo o viene aperta troppo frequentemente. Aprire la porta meno spesso. La porta non è sigillata correttamente. |
| Si forma umidità all'esterno dell'apparecchio. | La porta è leggermente aperta, il che consente all'aria fredda dall'interno della cantinetta vino di incontrare l'aria calda e umida dall'esterno. |
| La porta non si chiuderà correttamente. | La cantinetta non è su una superficie piana. La guarnizione è sporca. |

AMBIENTE

ATTENZIONE:

 Non gettare quest' apparecchio tra i rifiuti domestici. Per questo tipo di prodotti è fornito dai comuni un sistema di raccolta e ritiro in zona ed è quindi un dovere informarsi per conoscere il giusto smistamento del rifiuto. Infatti, i prodotti elettrici ed elettronici possono contenere sostanze pericolose che hanno effetti dannosi sull'ambiente o sulla nostra salute e quindi devono essere riciclati. Il simbolo al lato indica che le apparecchiature elettriche ed elettroniche fanno parte di una raccolta selettiva e differenziata (rappresentata da un bidone su due ruote sbarrato da una croce).