

HKoenig

msx252

Instruction Manual

Manuel d'instructions
Bedienungsanleitung
Gebruiksaanwijzing
Manual de instrucciones
Manuale d'uso



Meat slicer

Trancheuse à viande
Fleisch slicer
Vlees snijmachine
Cortador de carne
Affettatrice



ENGLISH

PLEASE READ AND KEEP THIS INSTRUCTION

Please read this user instruction carefully before connecting the appliance to prevent damage due to improper use. Take particular care of the paragraphs with the safety and danger symbols. Operators should be trained in the dangers associated with the use and cleaning of slicers and with the precautions to be observed.

IMPORTANCE OF THE INSTRUCTION

1. The instruction is integral part of the machine. It includes important information regarding safety and dangers, pointed out with symbols.
2. The information included will allow you to use the machine in perfect safety conditions and to have a result of maximum satisfaction
3. The aim of this instruction is to provide the customer with as much information as possible about our food slicer and with the instructions for its use and maintenance in order to keep it working efficiently.
4. This instruction should be given to those responsible for the use and periodical maintenance of the slicer.
5. The instruction should be kept in good condition and stored in an easily accessible place for rapid reference.
6. The slicers are subjected to revision and may, therefore, bear details differing from those shown; this possibility has no effect on the information in this instruction.

WARNING: PRECAUTIONS TO BE TAKEN

1. To protect against any risk of electrical shock, do not put the appliance in water or in any other liquid. Do not clean the machine using a lot of water.
2. Unplug when the appliance is not in use. Remove the plug before the maintenance and disassembly operations for the cleaning of the protections.
3. Always use completely assembled slicers with food tray and food holder arm and with all the protections. Do not use the machine with the protections removed.
4. Avoid contacting moving parts.
5. Never push food by hand.
6. Blade is sharp, handle carefully when cleaning.
7. Do not use any appliance with a damaged cable or plug.
8. Return appliance to the nearest authorized service facility for examination and all possible and necessary electrical or mechanical adjustments.
9. The use of spare-parts not recommended or sold by manufacturer may cause fire, electric shock or injury.
10. Do not use outdoors.

WARNINGS AND SAFETY RULES

The maker declines all responsibility in the case of improper use of the machine.

1. Do not use the food slicer for frozen food, boned meat, vegetables or anything other than foodstuffs.
2. Periodically check the state of the cable; should it be damaged, it must be replaced by qualified staff.
3. Do not submerge the food slicer in water when cleaning.
4. The slicer has not to be washed by jet of water.

5. Do not use extension cables.
6. Do not unplug by pulling the cable.
7. Do not use the machine with wet hands or bare feet.
8. Put the slicer distant from sources of heat.
9. Do not put the hands near the parts in movement even if there are safety devices. Even though the machine is equipped with safety devices, keep your hands away from the blade and moving parts.

During maintenance or cleaning operations (therefore, having removed the protections), the remaining risks should be carefully considered. Before carrying out any maintenance operation, unplug the machine and make sure that the graduated knob is in "0" position.

Remove the knife guard periodically, unscrewing the screw (in the centre of the knife guard), then clean both the blade and the inside of the knife guard with alcohol or warm water.

10. The device must not be used if it has been dropped, it obvious signs of damage are visible or if it has leaks.
11. Keep the appliance and its power cord out of reach of children under 8 years of age.
12. When using electrical equipment, safety precautions must always be taken to prevent the risk of fire, electric shock and/or injury in the event of misuse.
13. Never leave the unit unattended while in operation.
14. Cleaning and maintenance should not be carried out by children unless they are at least 8 years of age and are supervised by an adult
15. This appliance may be used by children of at least 8 years of age, as long as they are supervised and have been given instructions about using the appliance safely and are fully aware of the dangers involved.

16. When using electrical equipment, safety precautions must always be taken to prevent the risk of fire, electric shock and/or injury in the event of misuse.
17. Make sure that the voltage rating on the typeplate corresponds to your main voltage of your installation. If this is not the case, contact the dealer and do not connect the unit.
18. Please keep this document at hand and give it to the future owner in case of transfer of your device.

Warning

This appliance may be used by persons with reduced physical, sensory or mental capabilities or lack of experience or knowledge, provided that they are supervised or instructed in the safe use of the appliance and that they fully understand the potential hazards.

This operation must be carried out with the utmost care as it concerns a cutting device.

The machine and all its parts should be cleaned with soft cloths moistened with standard neutral detergents.

Use soft cloths for drying.

Do not operate this appliance if it has a damaged cord or plug, if it is not working properly or if it has been damaged or dropped. If the supply cord is damaged, it must be replaced by the manufacturer or its service agent or a similarly qualified person in order to avoid a hazard.

Your appliance has been designed for domestic use only.

It is not intended for use in the following situations which are not covered by the warranty:

- in staff kitchen areas in shops, offices and other professional environments,

- in farm hostels,
- by guests in hotels, motels and other residential environments,
- in bed and breakfast type environments.

MAINS VOLTAGE

Before plugging in, check that the mains voltage corresponds to the voltage indicated on the food slicer (data plate). The power supply shall have overloading protection to this appliance. Make sure the connection cannot result in tripping over or falling.

INSTRUCTIONS FOR USE

1. Once unwrapped, place it so that the on/off switch is in front of the operator.
2. Check the graduated knob on position "0", plug in, switch on, check the blade turn fluently, check the sound of blade turning, check the "on" indicator works well. Switch off, check the blade stop working.
3. Regulate the thickness of the slice desired by turning the graduated knob.
4. Place the food to be sliced on the sliding carriage pushing against the food holder arm facing the blade, making sure that the food is resting against the movable bulkhead.
5. Switch on, thus activating the blade.
6. After use, turn the graduated knob back to position "0".

The food grip should not be removed unless the shape and size of the food does not allow its use.

TRANSPORT - HANDLING – STORAGE

- The machine is packed in a cardboard box with plugs inserted.
- The packaging is proper to travel by all means of transport.
- It can be put a carton on another for a maximum of 3-4 cartons.
- The packaging must be: kept dry.
- The appliance weight more than 15kg, it must be handled by 2 person carefully.
- When on pallets, handle only with traspallets or electric lifters.

INSTALLATION

It is recommended that operating personnel should be instructed during installation by a representative of the manufacturer or the supplier of the slicer.

Environmental conditions:

- Temperature Minimum/ Maximum : + 8 °C/ + 38 °C
- Moisture Minimum/ Maximum : 30% / 80%
- The slicer has to be put on a stable support to avoid its moving.
- The cable has to be connected to avoid to trip or to slide.
- Assemble the sharper group (10) , thumb protection device (24) , round protection handle (25) in place. The parts can protect user. When take away the sharper group, don't work

any more, because of dangerous sharpen blade. When the holder pushing device (24) is not in place, don't use the appliance to slice meat that has not been deboned and other non food products.

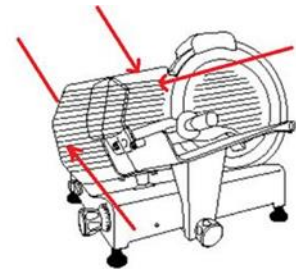
- There is a micro switch on the knife guard blockage knob(9), when the knob is turned off, the machine will stop working automatically. It ensure the safety of user. Please see below picture.

Levelling

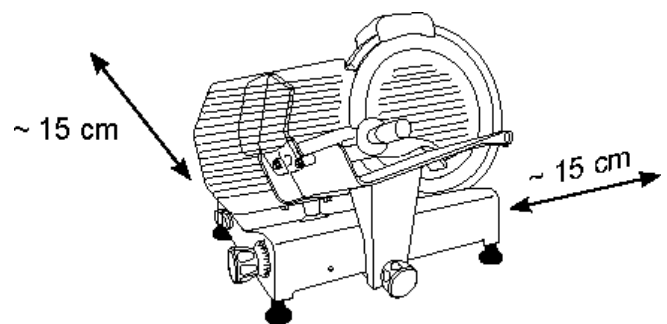
Check that the movable bulkhead (2) with the graduated Knob (6) in "0" position is aligned to the blade in the zone (A).

If it is not aligned act on the feet (12) unscrewing or screwing the right one.

Note: To adjust the movable partition in relation to the blade, simply push or pull the partition slightly until the desired position is reached.

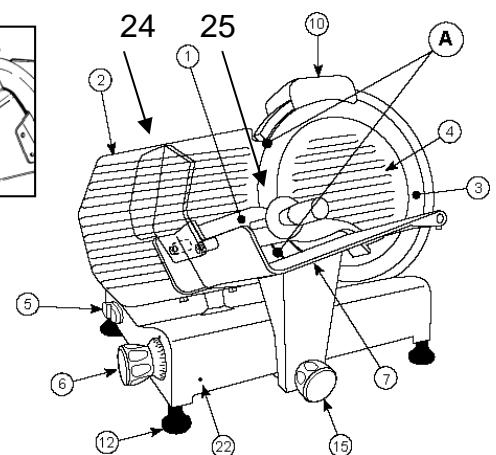
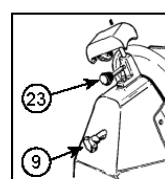


Necessary space for use.



Part Number

- 1 - Food holder arm
- 2 - Movable bulkhead
- 3 - Blade
- 4 - Knife guard
- 5 - On/Off switch
- 6 - Graduated knob
- 7 - Sliding carriage or sliding food tray
- 9 - Knife guard blockage knob
- 10 - Sharpener group
- 12 - Feet
- 15 - Food tray fixing knob (BLC)
- 22 - Blockage food tray / movable bulkhead (BLC) hole
- 23 - Sharpener group blockage knob
- 24- thumb protection device
- 25- round protection handle



MACHINE CLEANING AND MAINTENANCE

1. Before making the cleaning operation, remove the plug from the current socket and make sure that the graduated knob (6) is in position "0". The gauge plate or guard plate shall be closed during the cleaning of the blade;
2. Do not use jets of water.
3. Do not use brushes that can deteriorate the surface of the machine.
4. Use a soft cloth moistened with a normal neutral detergent (see for example the type included in the accessories box).
5. Do not move the machine to clean it. There are available and it is recommended to use the proper anti-cut gloves to act where there is danger of cut.

As you can notice, the slicer has been realized taking into the maximum consideration the easiness, the swiftness and the perfect possibility of cleaning it in all its parts.

The cleaning of the machine has to be made at least once a day or with more frequency if necessary (by each change of the type of product), paying attention to make a scrupulous cleaning of all the surfaces which are in contact with food to be sliced.

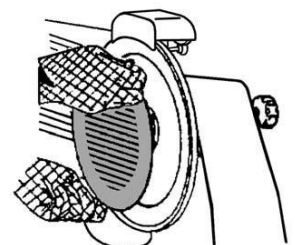
If the appliance is dirty, please clean the appliance.

If the slicer stop slicing, it may caused by overheated motor, please return appliance to the nearest authorized service facility for examination. It is not necessary to disassemble the blade for cleaning as it could be cleaned in all its parts without having to disassemble it.

- Use anticutting gloves.

Disassembly of the blade-cover (4).

- Loosen the knob (9) unthread it and remove the

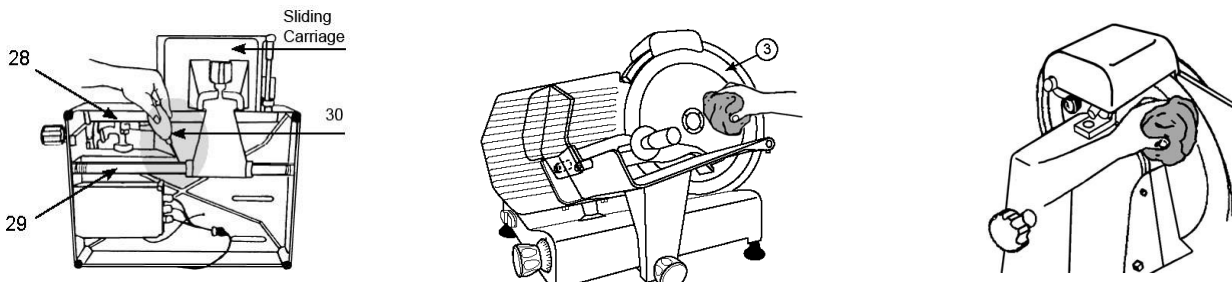


blade-cover disk (4).

- Clean the blade (3) on both faces as indicated in the drawing.

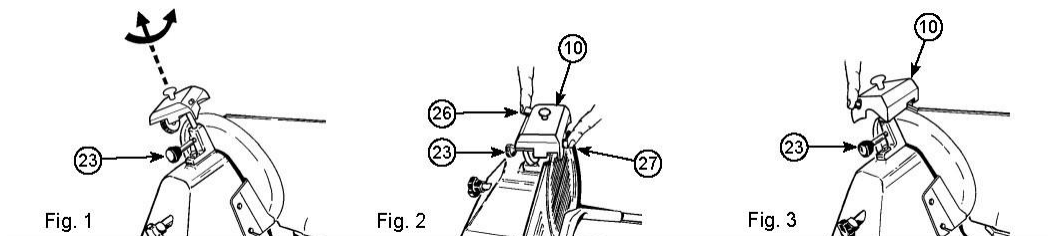
If the sliding carriage stops sliding smoothly, lay the machine on its side.

Cleaning the slide bar (29) and lubricate it with Vaseline or industrial oil.



BLADE SHARPENING

If the appliance does not slice well and blade is blunt, blade should be sharpened by qualified staff.



N.B.: it should be noted that the blade is highly resistant, therefore it needs to be sharpened only when the capacity of cut decreases. The gauge plate or guard plate shall be closed on slicers with an integral blade sharpener during the sharpening operation.

- Unplug.
- Check that the movable bulkhead is closed (graduated knob (6) in position “0”).
- Carefully clean the part of the blade to be sharpened.
- Reinsert the plug.

- Loosen the locking knob (23) of the sharpener group (10).
- Raise the sharpener group (10), turning it by 180° so that both wheels are in working position. See Fig. 1.
- Lower the sharpener group (10) until it locks.
- Secure the group by turning the locking knob (23). See Fig. 2.
- Switch on.
- Press button (26) and let the blade turn for about 1 minute. When the blade is still, check to see if any burr has formed on the edge.
- After having verified the presence of burr, switch (5) on and gently press button (27) for about 3 seconds to remove the burr produced during sharpening. Put the graduated knob (6) back to "0" position.
- After sharpening, move the sharpener group (10) back to its original position, see Fig. 3 and clean the edge of the blade and the wheels by alcohol.
- After several sharpening operations, remove any residue from the sharpening wheel with alcohol and a brush.

BLADE REPLACING

The blade has to be replaced when it is no more possible to sharpen it or when the distance between the cutting part of the blade and the blade protector is more than **6 mm**. Return appliance to the nearest authorized service facility to replace the blade.

WARRANTY

The warranty period for our products is 2 years, unless otherwise stated, starting from the date of initial purchase or the date of delivery.

If you have any problems or questions, you can easily access our help pages, troubleshooting tips, FAQ, and user manuals on our service site: <https://sav.hkoenig.com>.

By typing the reference name of your device in the search bar, you can access all available online support, designed to best meet your needs.

If you still cannot find an answer to your question or problem, then click on “Did the answer solve your problem?”. This will direct you to the Customer Support Request Form, which you can fill out to validate your request and get help.

WARRANTY CONDITIONS

The warranty covers all failures occurring under normal use, in accordance with the usage and specifications in the user's manual.

This warranty does not apply to packaging or transportation problems during shipment of the product by the owner. It also does not include normal wear and tear of the product, nor maintenance or replacement of consumable parts.

EXCLUSION OF WARRANTY

- Accessories and wearing parts (*).
- Normal maintenance of the device.
- All breakdowns resulting from improper use (shocks, failure to comply with power supply recommendations, poor conditions of use, etc.), insufficient maintenance or misuse of the device, as well as the use of unsuitable accessories.
- Damage of external origin: fire, water damage, electrical surge, etc.
- Any equipment that has been disassembled, even partially, by persons other than those authorized to do so (notably the user).
- The products whose serial number would be missing, deteriorated or illegible that would not allow its identification.
- The products subjected to leasing, demonstration, or exhibition.

(*) Some parts of your device, called wear parts or consumables, deteriorate with time and frequency of use of your device. This wear and tear are normal but can be accentuated by poor conditions of use or maintenance of your device. These parts are therefore not covered by the warranty.

The accessories supplied with the device are also excluded from the warranty. They cannot be exchanged or refunded. However, some accessories can be purchased directly through our website: <https://sav.hkoenig.com/>.

ENVIRONMENT

CAUTION:



Do not dispose of this product as it has with other household products. There is a separation of this waste product into communities, you will need to inform your local authorities about the places where you can return this product. In fact, electrical and electronic products contain hazardous substances that have harmful effects on the environment or human health and should be recycled. The symbol here indicates that electrical and electronic equipment should be chosen carefully, a wheeled waste container is marked with a cross.

Adeva SAS / H.Koenig Europe - 8 rue Marc Seguin, 77290 Mitry-Mory, France
www.hkoenig.com - <https://en.hkoenig.com> - Tél: +33 1 64 67 00 05

FRANÇAIS

MISE EN GARDE

Lire attentivement ce mode d'emploi avant la mise en service de l'appareil afin d'éviter tout dommage dû à une mauvaise utilisation. Faire particulièrement attention aux paragraphes avec les symboles de sécurité et de danger. Les utilisateurs doivent être formés aux dangers liés à l'utilisation, au nettoyage de la trancheuse et aux précautions à prendre. Les enfants ainsi que les personnes n'ayant aucune expérience ni connaissance de l'appareil ne sont pas autorisés à utiliser l'appareil.

L'entretien et le nettoyage ne doivent pas être effectués par des enfants sans surveillance.

IMPORTANTANCE DES CONSIGNES

1. Cette notice fait partie intégrante de la machine. Elle contient des informations importantes relatives à la sécurité et aux dangers d'utilisations non conformes, signalés par des symboles.
2. Les informations fournies permettent d'utiliser la machine dans des conditions de sécurité parfaites et d'avoir un résultat de satisfaction maximale.
3. Le but de cette notice est de fournir au client autant d'informations que possible sur la trancheuse et les instructions pour son utilisation ainsi que son entretien afin de la maintenir en état.
4. Cette notice doit être donnée aux responsables de l'utilisation et de l'entretien périodique de la trancheuse.
5. Le manuel doit être conservé en bon état et entreposé dans un endroit facilement accessible pour une consultation rapide.
6. La trancheuse est soumise à un entretien régulier.

AVERTISSEMENT : PRÉCAUTIONS À PRENDRE

1. Pour éviter tout risque de choc électrique, ne pas mettre l'appareil dans l'eau ou dans tout autre liquide et ne pas le nettoyer à grande eau.
2. Débrancher l'appareil lorsqu'il n'est pas utilisé et avant toute opération de maintenance et de démontage des pièces de protection.
3. Toujours utiliser des trancheuses totalement assemblées avec bac à provisions, porte-nourriture et organes de protections. Ne jamais utiliser la machine sans les protections.
4. Éviter de toucher les pièces mobiles.
5. Ne jamais pousser les aliments à la main.
6. La lame est coupante et représente un danger de coupure.
7. Avant chaque mise en marche vérifié que le câble et la prise d'alimentation électrique ne sont pas endommagés
8. Renvoyer l'appareil au centre de service après-vente le plus proche pour examen et tous les réglages électriques ou mécaniques si nécessaire.
9. L'utilisation de pièces de rechange non recommandées ou vendues par le fabricant peut provoquer un incendie, une électrocution ou des blessures.
10. Ne pas utiliser l'appareil à l'extérieur.

AVERTISSEMENTS ET RÈGLES DE SÉCURITÉ

Le fabricant décline toute responsabilité en cas d'utilisation incorrecte de la machine.

1. Ne pas utiliser la trancheuse pour aliments congelés, viande désossée, légumes ou autre chose que des aliments.
2. Vérifier périodiquement l'état du câble. Si il est endommagé, il doit être remplacé par du personnel qualifié.
3. Ne pas immerger la trancheuse de nourriture dans l'eau lors du nettoyage.
4. La lame ne doit pas être lavée par jet d'eau.
5. Ne pas utiliser de rallonges électriques.
6. Ne pas débrancher en tirant sur le câble.
7. Ne pas utiliser la trancheuse avec les mains mouillées ou pieds nus.
8. Eloigner la trancheuse des sources de chaleur.
9. Ne pas mettre les mains près des pièces en mouvement.
10. Lors des opérations d'entretien ou de nettoyage (donc après avoir retiré les protections), les risques de blessures doivent être pris en compte. Avant de procéder à l'entretien, débrancher la machine et positionner le bouton gradué sur la position "0". (Arrêt)
Retirer le protège-couteau périodiquement en dévissant la vis (au centre du protège-couteau), puis nettoyer à la fois la lame et l'intérieur du protège-couteau avec de l'alcool alimentaire ou de l'eau chaude.
11. L'appareil ne doit pas être utilisé s'il a chuté, s'il y a des signes visibles de dommages ou en cas de fuite.
12. Conserver l'appareil et son câble hors de portée des enfants âgés de moins 8ans.

13. Lors de l'utilisation d'appareils électriques, des précautions de sécurité doivent toujours être prises pour prévenir tout risque d'incendie, de choc électrique et/ou de blessure en cas de mauvaise utilisation.
14. Ne jamais laisser l'appareil sans surveillance lorsqu'il est en fonctionnement.
15. Le nettoyage et l'entretien par l'utilisateur ne doivent pas être effectués par des enfants, à moins qu'ils ne soient âgés de plus de 8ans et qu'ils soient sous la surveillance d'un adulte
16. Cet appareil peut être utilisé par des enfants âgés d'au moins 8 ans, à condition qu'ils bénéficient d'une surveillance ou qu'ils aient reçu des instructions quant à l'utilisation de l'appareil en toute sécurité et qu'ils comprennent bien les dangers encourus.
17. Lors de l'utilisation d'appareils électriques, des précautions de sécurité doivent toujours être prises pour prévenir tout risque d'incendie, de choc électrique et/ou de blessure en cas de mauvaise utilisation.
18. Vérifier que le voltage indiqué sur la plaque signalétique de l'appareil correspond bien à celui de votre installation électrique. Si ce n'est pas le cas, adressez-vous au revendeur et ne branchez pas l'appareil.
19. Veuillez conserver ce document à disposition et le remettre au futur propriétaire en cas de cession de votre appareil.

Avertissement !

Cet appareil peut être utilisé par des personnes dont les capacités physiques, sensorielles ou mentales sont réduites ou dont l'expérience ou les connaissances ne sont pas suffisantes, à condition qu'elles bénéficient d'une surveillance ou qu'elles aient reçu des instructions quant

à l'utilisation de l'appareil en toute sécurité et qu'elles en comprennent bien les dangers potentiels.

L'utilisation du dispositif de coupe de la trancheuse doit être effectuée avec précaution.

La machine et toutes ses parties doivent être nettoyées avec des chiffons doux humidifiés avec des détergents neutres standards.

Utiliser des chiffons doux pour le séchage.

N'utilisez pas l'appareil si son câble d'alimentation ou sa prise est endommagée, s'il ne fonctionne pas correctement, s'il a été abimé ou s'il est tombé. Si le câble d'alimentation est endommagé, il doit être remplacé par le fabricant ou son agent ou encore par une personne qualifiée afin d'éviter tout risque.

Votre appareil a été conçu pour un usage domestique seulement. Elle n'a pas été conçue pour être utilisée dans les cas suivants qui ne sont pas couverts par la garantie :

- dans des coins de cuisines réservés au personnel dans des magasins, bureaux et autres environnements professionnels,
- dans des fermes auberges,
- par les clients des hôtels, motels et autres environnements à caractère résidentiel,
- dans des environnements de type chambres d'hôtes.

TENSION DES RESEAUX

Avant de brancher au réseau la trancheuse, vérifier que la tension secteur corresponde à la tension indiquée sur la plaque signalétique. L'alimentation électrique doit avoir une protection contre les surcharges de cet appareil. Vérifier que la connexion au réseau ne provoque pas la chute ou le déplacement de la trancheuse.

MODE D'EMPLOI

1. Une fois déballée, placer la trancheuse de façon à ce que l'interrupteur marche / arrêt se situe face à l'utilisateur.
2. Vérifier le positionnement du bouton gradué sur la position «0», brancher, mettre en marche et vérifier le fonctionnement de la lame.
3. Régler l'épaisseur de la tranche souhaitée en tournant le bouton gradué.
4. Placer les aliments à trancher sur le chariot coulissant en poussant contre le bras du support de nourriture face à la lame, en s'assurant que la nourriture repose contre la cloison mobile.
5. Allumer l'appareil, ce qui active la lame.
6. Après utilisation, positionner le bouton gradué sur la position "0".

La poignée de nourriture ne doit pas être enlevée à moins que la forme et la taille de la nourriture ne permettent pas son utilisation.

TRANSPORT - MANIPULATION – STOCKAGE

- La machine est emballée dans une boîte en carton avec des bouchons de protection insérés.
- L'emballage est approprié pour circuler par tous les moyens de transport.
- Les cartons peuvent être mis les uns sur les autres avec un maximum de 3-4 cartons.
- L'emballage doit être maintenu au sec.
- Le poids de l'appareil est de plus de 15kg, il doit être manipulé par 2 personnes avec précaution.

INSTALLATION

Il est recommandé que le personnel d'exploitation soit informé lors de l'installation par un représentant du fabricant ou du fournisseur de la trancheuse.

Conditions environnementales :

- Température minimale + 8 ° C ; Température maximale + 38 ° C
- Humidité minimale 30% ; Humidité maximale 80%
- La trancheuse doit être mise sur un support stable pour éviter tout mouvement.
- Le câble doit être raccordé pour éviter de trébucher ou de glisser.
- Assembler le module aiguiser (9), le dispositif de protection du pouce, la poignée de protection ronde en place. Ces pièces peuvent protéger l'utilisateur.

Ne pas utiliser la trancheuse avec le module aiguiser retiré car il y a danger de coupures. Lorsque le dispositif de protection du support (2) n'est pas en place, n'utilisez pas l'appareil pour trancher la viande qui n'a pas été désossée ou d'autres produits non alimentaires.

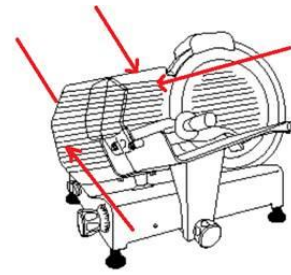
- Il y a un micro-interrupteur sur le bouton de blocage de la protection du couteau (8). Lorsque le bouton est éteint, la machine cessera de fonctionner automatiquement. Il assure la sécurité de l'utilisateur. Voir l'image ci-dessous.

Mise à niveau

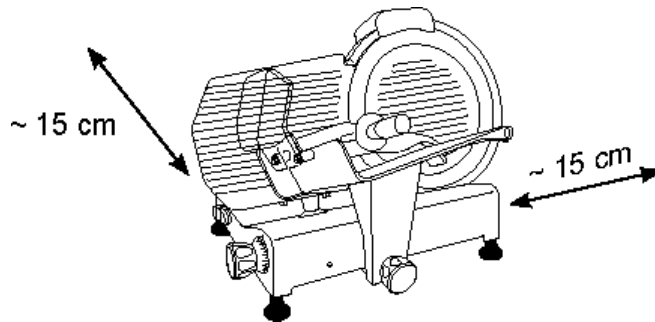
Vérifier que la cloison mobile (15) avec le bouton gradué (6) en position "0" est aligné sur la lame dans la zone (A).

S'il n'est pas aligné, agir sur les pieds (12) en dévissant ou en vissant le bon.

Note : Pour ajuster la cloison mobile par rapport à la lame, il suffit de pousser ou de tirer légèrement sur la cloison jusqu'à ce que la position souhaitée soit atteinte.

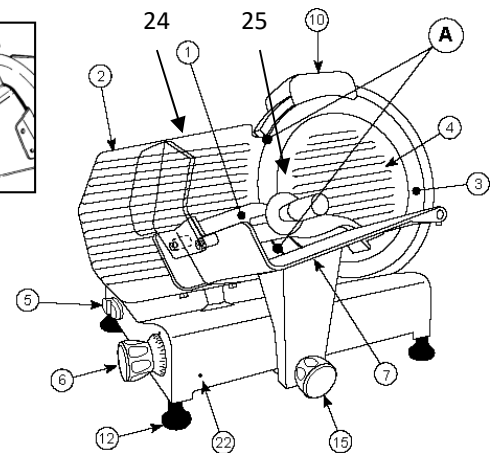
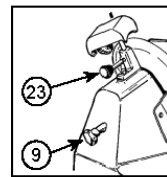


Espace nécessaire pour l'utilisation



Numéro des pièces

- 1- Bras de support alimentaire
- 2 - Cloison mobile 24 25
- 3 - Lame
- 4 - Disque de recouvrement de la lame
- 5 - Interrupteur marche / arrêt
- 6 - Bouton gradué
- 7 - Chariot coulissant ou plateau coulissant
- 9 - Bouton de blocage du disque de recouvrement de la lame
- 10 - Module aiguseur
- 12 - Pieds
- 15 - Bouton de fixation du plateau d'alimentation (BLC)
- 22 - Obstruction plateau de nourriture / Trou de la cloison mobile (BLC)
- 23 - Bouton de blocage de groupe d'aiguseur
- 24 - Dispositif de protection du pouce
- 25 - Poignée de protection ronde



NETTOYAGE ET ENTRETIEN

1. Avant de procéder au nettoyage, retirez la prise de courant et assurez-vous que le bouton gradué (6) est en position "0". La plaque de jauge ou la plaque de garde doit être fermée pendant le nettoyage de la

lame. Ne pas utiliser de jets d'eau.

2. N'utilisez pas de brosses susceptibles de détériorer la surface de la machine.
3. Utilisez un chiffon doux humidifié avec un détergent neutre normal
4. Ne pas déplacer la machine pour la nettoyer. Il est recommandé d'utiliser les gants anti-coupe appropriés pour agir là où il y a danger de coupure.

Comme vous pouvez le remarquer, la trancheuse a été réalisée en prenant en considération la facilité, la rapidité et la possibilité parfaite de la nettoyer dans toutes ses parties.

Le nettoyage de la machine doit être effectué au moins une fois par jour ou avec plus de fréquence si nécessaire (par chaque changement de type de produit), en veillant à un nettoyage scrupuleux de toutes les surfaces en contact avec les aliments découpés en tranches.

Si l'appareil est sale, nettoyez-le.

Si le trancheur coupe le tranchage, il peut être causé par un moteur surchauffé, retourner l'appareil au centre de réparation agréé le plus proche pour examen.

Il n'est pas nécessaire de démonter la lame pour la nettoyer car elle peut être nettoyée intégralement sans devoir la démonter.

- Utilisez des gants de protection.

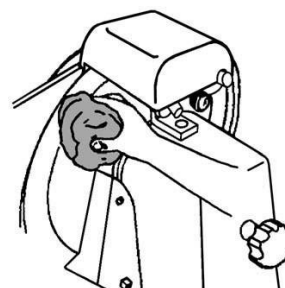
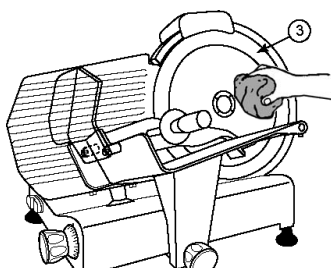
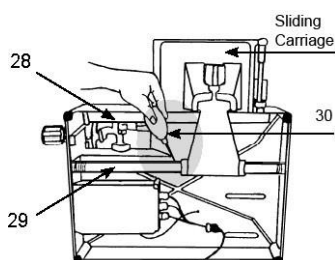
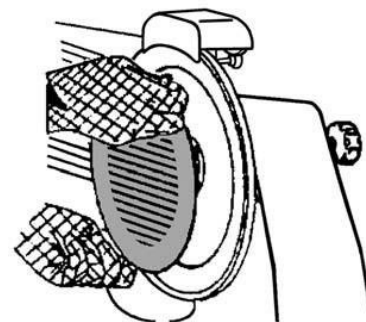
Démontage du Disque de recouvrement de lame (3).

- Desserrez le bouton (8) et dévissez-le
- Disque de recouvrement de lame (4).

- Nettoyez la lame (3) sur les deux faces comme indiqué sur le dessin.

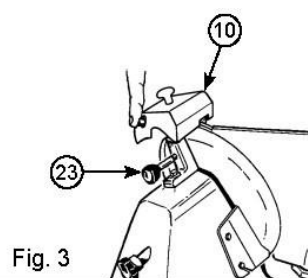
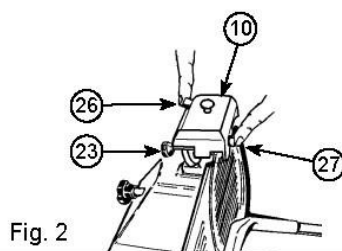
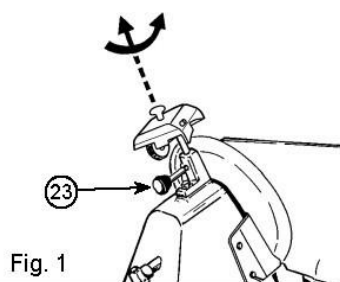
Si le chariot coulissant cesse de glisser doucement, placez la machine sur le côté.

Nettoyez la barre coulissante et lubrifiez-la avec de la vaseline ou de l'huile industrielle.



AFFUTAGE DE LA LAME

Si l'appareil ne coupe pas bien et que la lame est émoussée, la lame doit être affûtée par du personnel qualifié.



NB: il faut noter que la lame est très résistante, par conséquent elle doit être affûtée uniquement lorsque la capacité de coupe diminue. La plaque de jauge ou la plaque de protection de la trancheuse doit être fermée par mise en place de l'aiguiseur intégré pendant l'affûtage.

- Débranchez
- Vérifiez que la cloison mobile est fermée (bouton gradué (6) en position "0").
- Nettoyez soigneusement la partie de la lame à affûter.
- Réinsérez la prise.
- Desserrez le bouton de verrouillage (23) du module aiguiseur (10).
- Soulever le module aiguiseur (10), en le tournant de 180 ° de sorte que les deux roues soient en position de travail. Voir Fig. 1.
- Abaissez le module aiguiseur (10) jusqu'à ce qu'il s'enclenche.
- Fixez le groupe en tournant le bouton de verrouillage (23). Voir Fig.2
- Mettez l'appareil en marche.
- Appuyez sur le bouton (26) et laissez la lame tourner pendant environ 1 minute. Lorsque la lame est immobile, vérifiez si une bavure s'est formée sur le bord.
- Après avoir vérifié la présence de bavures, mettez l'interrupteur (5) en marche et appuyez doucement sur le bouton (27) pendant environ 3 secondes pour retirer la bavure produite pendant l'affûtage. Remettez le bouton gradué (6) en position "0".

- Après affûtage, remontez le module aiguiseur (10) dans sa position d'origine, voir Fig. 3 et nettoyez le bord de la lame et les roues avec de l'alcool.
- Après plusieurs opérations, enlevez tout résidu de la meule d'affûtage avec de l'alcool et une brosse.

REPLACEMENT DE LA LAME

La lame doit être remplacée quand il n'est plus possible de l'aiguiser ou lorsque la distance entre la partie de coupe de la lame et le protecteur de lame est supérieure à 6 mm. Remettre l'appareil au centre de service autorisé le plus près pour remplacer la lame.

GARANTIE

La durée de garantie de nos produits est de 2 ans, sauf décret en vigueur, à compter de la date d'achat initiale ou la date de livraison.

En cas de problèmes ou d'interrogations, vous pouvez facilement accéder à nos pages d'aides, conseils de dépannage, FAQ et modes d'emplois sur notre site SAV : <https://sav.hkoenig.com>.

En tapant le nom de référence de votre appareil dans la barre de recherche, vous accédez à tous les supports en ligne disponibles, conçus pour vous répondre au mieux à vos besoins.

Si vous ne trouvez toujours pas de réponse à votre question ou votre problème, alors cliquez sur « Est-ce que la réponse a résolu votre problème ? ». Vous accéderez alors au formulaire de demande d'assistance SAV, qu'il vous suffira de compléter pour valider votre demande et obtenir de l'aide.

CONDITIONS DE GARANTIE

La garantie couvre l'ensemble des pannes survenant dans le cadre d'une utilisation normale, conforme aux usages et spécifications présentes sur le manuel d'utilisation.

Cette garantie ne s'applique pas aux problèmes d'emballage ou de transport pendant l'expédition du produit par son propriétaire. Elle n'inclut également pas l'usure normale du produit, ni la maintenance ou le remplacement de pièces consommables.

EXCLUSION DE GARANTIE

- Les accessoires et les pièces d'usure (*).
- L'entretien normal de l'appareil.
- Toutes pannes survenant par suite d'une mauvaise utilisation (chocs, non-respect des préconisations d'alimentation électrique, mauvaises conditions d'utilisation, etc.), d'un entretien

insuffisant ou d'un détournement de fonction de l'appareil, ainsi que l'usage d'accessoires non appropriés.

- Les dommages d'origine externe : incendie, dégâts des eaux, surtension électrique, etc.
- Tout matériel qui aura été démonté même partiellement par des personnes autres que celles habilitées (notamment l'utilisateur).
- Les produits dont le numéro de série serait absent, détérioré ou illisible que ne permettrait pas son identification.
- Les produits soumis à la location, à la démonstration ou à l'exposition.

(*) Certaines pièces de votre appareil dites pièces d'usure ou consommables se détériorent avec le temps et la fréquence d'usage de votre appareil. Cette usure est normale, mais peut être accentuée par des mauvaises conditions d'utilisation ou entretien de votre appareil. Ces pièces ne sont donc pas couvertes par la garantie.

Les accessoires fournis avec l'appareil sont également exclus du champ de la garantie. Ils ne peuvent donc être ni échangés, ni remboursés. Toutefois, certains accessoires peuvent être directement achetés via notre site : <https://sav.hkoenig.com/>.

ENVIRONNEMENT

ATTENTION :



Vous ne devez pas vous débarrasser de cet appareil avec vos déchets ménagers. Un système de collecte sélective pour ce type de produit est mis en place par les communes, vous devez vous renseigner auprès de votre mairie afin d'en connaître les emplacements. En effet, les produits électriques et électroniques peuvent contenir des substances dangereuses qui ont des effets néfastes sur l'environnement ou la santé humaine et doivent être recyclés. Le symbole ci-contre indique que les équipements électriques et électroniques font l'objet d'une collecte sélective, il représente une poubelle sur roues barrée d'une croix.

Adeva SAS / H.Koenig Europe - 8 rue Marc Seguin, 77290 Mitry-Mory, France
www.hkoenig.com - <https://sav.hkoenig.com> - Tél: +33 1 64 67 00 05

DEUTSCH

BITTE LESEN SIE DIE BEDIENUNGSANLEITUNG UND BEWAHREN SIE DIESE AUF.

Bitte lesen Sie diese Bedienungsanleitung sorgfältig durch bevor Sie das Gerät anschließen, um Gefahren durch unsachgemäßen Gebrauch zu vermeiden. Achten Sie besonderes auf die Abschnitte mit den Sicherheits- und Gefahrensymbolen. Während der Bedienung müssen die mit der Nutzung und Reinigung von Messern verbundenen Gefahren berücksichtigt und Vorsichtsmaßnahmen getroffen werden.

BEDEUTUNG DER ANLEITUNG

1. Die Anleitung ist ein Bestandteil der Maschine. Sie enthält wichtige Informationen bezüglich Sicherheit und Gefahren, die mit Symbolen gekennzeichnet sind.
2. Die einbezogene Information ermöglicht Ihnen, das Gerät absolut sicher zu benutzen und maximale Zufriedenheit zu erzielen.
3. Das Ziel dieser Anleitung ist, den Kunden mit möglichst viel Information über unseren Alleschneider und die Anweisungen für die Nutzung und Wartung des Gerätes zu versorgen, damit dieses effizient weiterarbeitet.
4. Die Anleitung soll denjenigen gegeben werden, die für die Nutzung und regelmäßige Wartung des Schneiders zuständig sind.

5. Die Anleitung muss gut instand gehalten und in einem leicht erreichbaren Ort für schnelle Referenz aufbewahrt werden.
6. Die Schneider werden weiterentwickelt und deswegen können Elemente beinhaltet sein, die sich von den angezeigten unterscheiden. Diese Wahrscheinlichkeit hat keine Wirkung auf die in dieser Anleitung angegebene Information.

ZU TREFFENDE SICHERHEITSMABNAHMEN

1. Um das Risiko eines Stromschlages zu vermeiden, tauchen Sie das Gerät nicht in Wasser oder andere Flüssigkeiten. Reinigen Sie die Maschine nicht mit viel Wasser.
2. Bei Nichtgebrauch, trennen Sie das Gerät vom Netzstrom. Ziehen Sie den Stecker vor der Wartung und Demontage für die Reinigung von Sicherungen.
3. Benutzen Sie immer komplett montierte Schneider mit Essenstablett, Essenshalterung und mit allen Sicherungen. Benutzen Sie die Maschine mit den abgenommenen Sicherungen nicht.
4. Vermeiden Sie es, bewegliche Teile zu berühren.
5. Schieben Sie das Essen nie mit der Hand.
6. Die Klinge ist scharf, bedienen Sie diese vorsichtig bei der Reinigung.
7. Benutzen Sie das Gerät nicht, wenn das Kabel oder der Stecker beschädigt ist.
8. Bringen Sie das Gerät in eine nächstliegende autorisierte Werkstätte für die Untersuchung und alle

möglichen und notwendigen elektrischen oder mechanischen Anpassungen.

9. Die Verwendung von Ersatzteilen, die von dem Hersteller nicht empfohlen oder verkauft wurden, kann Feuer, einen Stromschlag oder Verletzungen verursachen.
10. Das Gerät nicht im Freien benutzen.

WARNHINWEISE UND SICHERHEITSVORSCHRIFTEN



Der Hersteller lehnt jeder Verantwortung im Falle des unsachgemäßen Gebrauchs des Gerätes ab.

1. Benutzen Sie den Allesschneider nicht für Tiefkühlprodukte, entbeintes Fleisch, Gemüse oder etwas anderes als Nahrungsmittel.
2. Überprüfen Sie regelmäßig den Zustand des Kabels; Falls dieses beschädigt ist, muss es von einer qualifizierten Fachkraft ersetzt werden.
3. Tauchen Sie den Allesschneider bei der Reinigung nicht ins Wasser.
4. Der Schneider darf nicht durch einen Wasserstrahl gereinigt werden.
5. Benutzen Sie keine Verlängerungskabel.
6. Ziehen Sie den Stecker nicht am Kabel aus der Steckdose.
7. Bedienen Sie das Gerät nicht mit nassen Händen oder barfuß.
8. Halten Sie den Schneider von Hitzequellen fern.
9. Das Gerät darf nicht benutzt werden, wenn es fallen gelassen wurde, wenn auffällige Zeichen von Beschädigungen sichtbar sind oder wenn es undicht ist

10. Platzieren Sie Ihre Hände nicht auf die bewegenden Teile, selbst wenn diese gesichert sind. Auch wenn das Gerät mit Schutzvorrichtungen ausgestattet ist, halten Sie Ihre Hände von der Klinge und den beweglichen Teilen fern.
11. Während Wartungs- oder Reinigungsarbeiten (wenn die Sicherungen deswegen entfernt sind) muss das Restrisiko berücksichtigt werden. Bevor Sie alle Wartungsarbeiten durchführen, ziehen Sie den Stecker aus der Netzstromversorgung und vergewissern Sie sich, dass sich der Drehknopf in der "0" Position befindet.
12. Entfernen Sie regelmäßig den Messerschutz, indem Sie die Schraube lösen (in der Mitte des Messerschutzes), danach reinigen Sie die beiden Klingen und das Innere des Messerschutzes mit Alkohol und warmen Wasser.
13. Bewahren Sie das Gerät und das zugehörige Netzkabel außerhalb der Reichweite von Kindern unter 8 Jahren auf.
14. Bei der Verwendung elektrischer Geräte sind stets Sicherheitsvorkehrungen zu treffen, um bei unsachgemäßer Verwendung die Gefahr von Bränden, elektrischen Schlägen und/oder Verletzungen zu vermeiden.
15. Lassen Sie das Gerät während des Betriebs niemals
16. Kinder dürfen das Gerät nur reinigen oder pflegen, wenn sie mindestens 8 Jahre alt sind und von einem Erwachsenen beaufsichtigt werden.
17. Dieses Gerät darf von Kindern ab 8 Jahren benutzt werden, sofern diese beaufsichtigt werden oder eine Einweisung in den sicheren Gebrauch des Geräts

erhalten haben und die damit verbundenen Gefahren verstehen.

18. Bei der Verwendung elektrischer Geräte sind stets Sicherheitsvorkehrungen zu treffen, um bei unsachgemäßer Verwendung die Gefahr von Bränden, elektrischen Schlägen und/oder Verletzungen zu vermeiden.
19. Achten Sie darauf, dass die auf dem Typenschild angegebene Nennspannung mit Ihrer Netzspannung übereinstimmt Ihrer Installation. Wenn dies nicht der Fall ist, wenden Sie sich an den Händler und schließen Sie das Gerät nicht an.
20. Bitte halten Sie dieses Dokument bereit und geben Sie es im Falle einer Übertragung Ihres Gerätes an den zukünftigen Besitzer weiter.

Warnung

Dieses Gerät kann von Personen mit eingeschränkten körperlichen, sensorischen oder geistigen Fähigkeiten oder mangelnder Erfahrung und Kenntnis benutzt werden, vorausgesetzt, dass sie beaufsichtigt oder in der sicheren Benutzung des Gerätes unterwiesen werden und die möglichen Gefahren vollständig verstehen.

Die Operationen müssen mit größter Sorgfalt durchgeführt werden, da es ein Schneidegerät betrifft.

Die Maschine und alle ihre Teile müssen mit einem weichen Tuch, befeuchtet mit einem neutralen Reinigungsmittel gereinigt werden.

Benutzen Sie ein weiches Tuch zum Abtrocknen.

Bedienen Sie das Gerät nicht, wenn das Kabel oder der Stecker beschädigt ist, wenn es nicht richtig funktioniert, heruntergefallen ist oder anderweitig beschädigt wurde.

Wenn das Stromkabel in jeglicher Weise beschädigt ist, darf es nur vom Hersteller, einer von ihm beauftragten Werkstatt oder einer ähnlich qualifizierten Person ersetzt werden, um Gefährdungen zu vermeiden.

Ihr Gerät ist nur für den Hausgebrauch bestimmt. Es ist nicht für die Verwendung in den folgenden Situationen vorgesehen, die nicht von der Garantie abgedeckt sind:

- in Personalküchen in Geschäften, Büros und anderen professionellen Umgebungen,
- in Landgasthöfen,
- von Gästen in Hotels, Motels und anderen Wohnumgebungen,
- in Bed-and-Breakfast-Umgebungen.

NETZSPANNUNG

Bevor Sie das Gerät anschließen, vergewissern Sie sich bitte, ob die Netzspannung mit der auf dem Typenschild des Alles Schneiders angegebenen Spannung übereinstimmt. Die Stromversorgung soll über einen Überladungsschutz für das Gerät verfügen. Vergewissern Sie sich, dass die Verbindung zum Stolpern oder Fallen nicht führt.

GEBRAUCHSANWEISUNGEN

1. Sobald Sie das Gerät ausgepackt haben, platzieren Sie es so, dass sich der An/Aus Schalter vor dem Nutzer befindet.
 2. Vergewissern Sie sich, dass sich der Drehknopf in der „0“ Position befindet, schalten Sie das Gerät an, überprüfen Sie, dass die Klinge sich schnell dreht, überprüfen Sie das Geräusch des drehenden Messers, überprüfen Sie, dass der „An“ Indikator richtig funktioniert. Schalten Sie es aus, überprüfen Sie, dass das Messer aufgehört hat zu arbeiten.
 3. Regulieren Sie die gewünschte Schichtdicke, indem Sie den Drehknopf drehen.
 4. Platzieren Sie das Lebensmittel, das geschnitten werden soll, auf dem Schiebeschlitten, schieben Sie es gegen den Essenshalter, der Klinge zugewandt; stellen Sie sicher, dass das Essen sich an die bewegbare Trennwand lehnt.
 5. Schalten Sie es an und aktivieren Sie dadurch die Klinge.
 6. Nach dem Gebrauch, drehen Sie den Drehknopf zurück in die „0“ Position.
- Der Resthalter muss nicht entfernt werden, es sei denn die Form und Größe der Speise erlaubt es nicht, den zu benutzen.

TRANSPORT – HANDHABUNG - LAGERUNG

- Die Maschine mit eingesetzten Stecker ist in einem Karton verpackt.
- Die Verpackung ist dafür geeignet, mit allen Verkehrsmittel transportiert zu werden.
- Die Kartons dürfen aufeinander gestellt werden, bei einem Maximum von 3-4 Kartons.
- Die Verpackung muss: trocken aufbewahrt werden.
- Das Gerät wiegt mehr als 15 kg, es muss von 2 Personen gehandhabt werden.
- Auf Paletten darf es nur mit einem elektrischen Heber gehandhabt werden.

INSTALLATION

Es wird empfohlen, dass der Vertreter des Herstellers oder der Anbieter von dem Schneider dem Bedienpersonal während der Installation Anweisungen erteilt.

Umweltbedingungen:

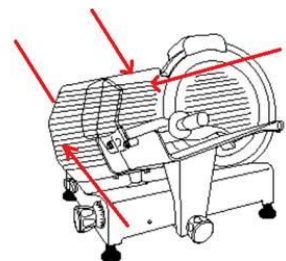
- Temperature Minimum/ Maximum: + 8 °C/ + 38 °C
- Feuchtigkeit Minimum/ Maximum: 30% / 80%
- Der Schneider sollte auf einer stabilen Fläche platziert werden, um sein Bewegen zu verhindern.
- Das Kabel soll gut verbunden sein und nicht rutschen.
- Montieren Sie die schärfere Gruppe (10), Daumen-Schutzeinrichtung (24), den runden Schutzgriff (25). Diese Teile können den Nutzer schützen. Wenn die schärfere Gruppe entfernt ist, bedienen Sie das Gerät nicht, weil die scharfe Klinge zu gefährlich ist. Wenn die Halter-Schiebeeinrichtung (24) nicht montiert ist, benutzen Sie das Gerät nicht, um das nicht entbeinte Fleisch oder andere Non-Food-Produkte zu schneiden.
- Es gibt einen Mikro-Schalter auf dem Messerschutz- Blockierungsknopf (9), Wenn dieser aus ist, wird die Maschine automatisch aufhören zu arbeiten. Es ermöglicht Benutzersicherheit. Siehe Bild unten.

Nivellierung

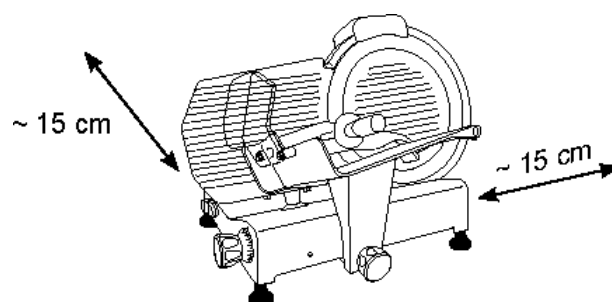
Vergewissern Sie sich, dass die bewegbare Trennwand (2) mit dem Drehknopf (6) in der „0“ Position sind zu der Klinge in der Zone (A) ausgerichtet ist.

Wenn diese nicht angepasst sind, wirken Sie auf die Füße (12), indem Sie den rechten Fuß ein- oder ausschrauben.

Hinweis: Um die bewegliche Trennwand in Bezug auf die Klinge zu verstellen, drücken oder ziehen Sie einfach leicht an der Trennwand, bis die gewünschte Position erreicht ist.

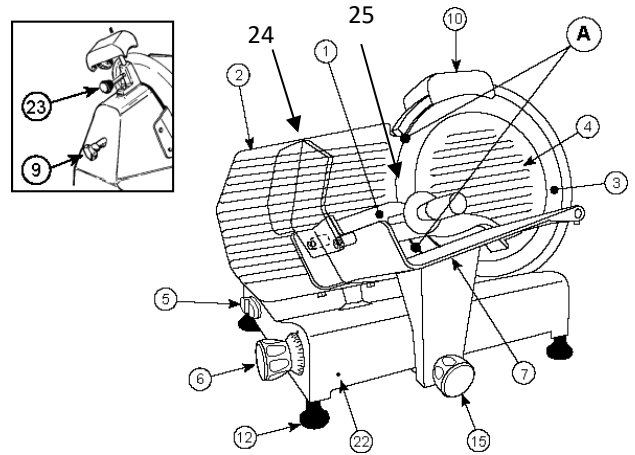


Für die Nutzung erforderlicher Raum.



Teilnummer:

1. Essenshalter-Griff
2. Bewegbare Trennwand
3. Klinge
4. Messerschutz
5. An/Aus Schalter
6. Drehknopf
7. Schiebeschlitten oder Schiebe-Essenstablett
9. Messerschutz- Blockierungsknopf
10. Schärfen- Gruppe
12. Füße
15. Essenstablett-Fixierung (BLC)
22. Blockierung- Essenstablett / Bewegbare Trennwandsloch (BLC)
23. Schärfen - Gruppe – Blokierungsknopf
24. Daumen-Schutzeinrichtung
25. runder Schutzgriff



REINIGUNG UND WARTUNG DER MASCHINE

1. Vor der Reinigung, ziehen Sie bitte den Stecker aus der Stromversorgung und vergewissern Sie sich, dass sich der Drehknopf (6) in der "0" Position befindet. Das Messerblech und das Schutzblech sollten während der Reinigung der Klinge geschlossen werden.
2. Wasserstrahle dürfen nicht benutzt werden.
3. Verwenden Sie keine Bürsten, die die Oberfläche der Maschine verderben können.
4. Benutzen Sie ein weiches Tuch, befeuchtet mit einem normalen neutralen Reinigungsmittel. (Wie z.B. das Reinigungsmittel aus dem Zubehörkoffer).
5. Bewegen Sie das Gerät nicht, um es zu reinigen. Die ordnungsgemäßen Schnittschutzhandschuhe sind verfügbar und werden immer empfohlen, wo das Risiko eines Schnittes besteht.

Wie Sie es bemerken können, wurde der Schneider unter maximalen Berücksichtigungen von der Leichtigkeit, Schnelligkeit und perfekten Möglichkeit, alle Teile des Gerätes zu reinigen, entwickelt.

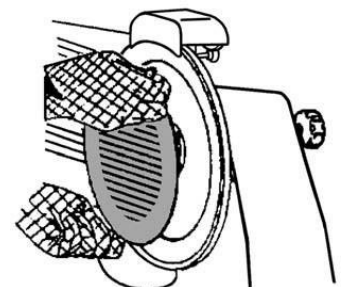
Die Reinigung der Maschine muss mindestens ein Mal täglich oder auch öfter, wenn nötig (bei jedem Wechsel von dem Art des Lebensmittels), durchgeführt werden. Bitte achten Sie darauf, alle Flächen gewissenhaft zu reinigen, die in Kontakt mit den zu schneidenden Lebensmittel kommen.

Wenn das Gerät schmutzig ist, reinigen Sie bitte das Gerät.

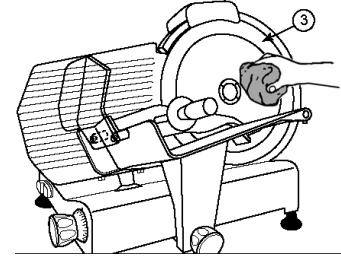
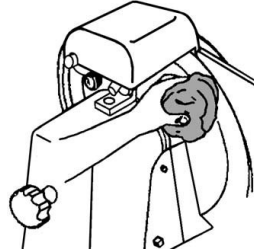
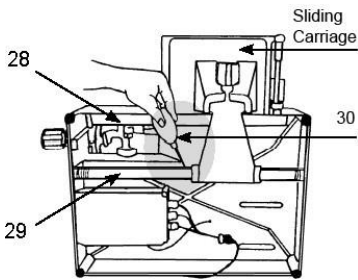
Wenn der Schneider nicht mehr schneidet, kann es durch das Überhitzen des Motors verursacht werden, geben Sie bitte das Gerät in eine der nächsten autorisierten Werkstätte für die Untersuchung.

Es ist nicht notwendig, die Klinge für die Reinigung zu demontieren, da diese in allen Teilen ohne Demontage gereinigt werden kann.

- Benutzen Sie die Schnittschutzhandschuhe.
Demontage der Messerabdeckung (4).
- Lockern Sie den Knopf auf (9), drehen Sie diesen heraus und entfernen Sie die Messerabdeckungsscheibe (4).
- Reinigen Sie die Klinge (3) auf beiden Seiten, wie auf der
- Zeichnung angezeigt ist.



Wenn der Schiebeschlitten nicht mehr leichtgängig Rutscht, legen Sie die Maschine an die Seite. Reinigen Sie die Geitschiene (29) und schmieren Sie diese mit Vaseline oder industriellem Öl.



SCHLEIFEN DER KLINGE ⚠

Wenn das Gerät nicht mehr gut schneidet und die Klinge stumpf ist, muss sie von qualifiziertem Personal geschliffen werden.

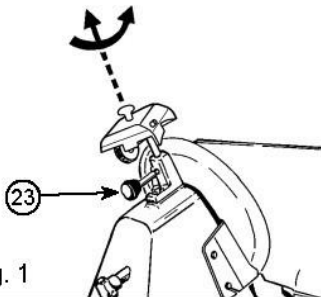


Fig. 1

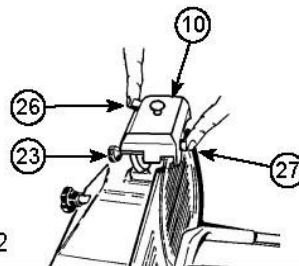


Fig. 2

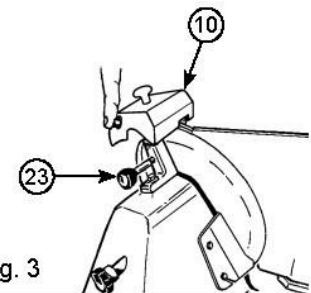


Fig. 3

N.B. Es muss beachtet werden, dass die Klinge höchst widerständig ist, und deswegen muss sie nur dann geschliffen werden, wenn die Schneidekapazität sinkt. Das Messerblech oder Schutzblech muss bei den

Schneidern mit einem eingebauten Messerschärfer während des Schleifenvorgangs geschlossen sein.

Ziehen Sie den Stecker.

- Überprüfen Sie, dass die bewegbare Trennwand geschlossen ist. (der Drehknopf (6) in der "0" Position.)
- Reinigen Sie vorsichtig die zu schleifenden Teile der Klinge.
- Setzen Sie den Stecker wieder ein.
- Lockern Sie den Verriegelungsknopf (23) der Schärfer-Gruppe (10) auf.
- Heben Sie die Schärfer-Gruppe (10), drehen Sie diese um 180 °, so dass beide Räder in der Arbeitsposition sind. Siehe Abbildung 1.
- Senken Sie die Schärfer-Gruppe (10), bis sie eingerastet ist. Sichern Sie die Gruppe, indem Sie den Verriegelungsknopf (23) drehen. Siehe Abbildung 2.
- Schalten Sie das Gerät an.
- Drücken Sie auf den Knopf (26), und lassen Sie die Klinge 1 Minute lang drehen. Wenn die Klinge still steht, überprüfen Sie, ob sich ein Grat am Rand geformt hat.
- Nachdem sich die Präsenz des Grats bestätigt hat, machen Sie den Schalter (5) an und drücken Sie sanft auf die Taste (27) für ungefähr 3 Sekunden, um den während des Schleifenvorgangs entstandenen Grat zu entfernen. Drehen Sie den Drehknopf (6) zurück in die "0" Position.
- Nach dem Schleifen, ziehen Sie die Schärfer-Gruppe (10) zurück in die Ausgangsposition, siehe Abbildung 3. und reinigen Sie den Rand der Klinge und die Räder mit Alkohol.

- Nach mehreren Schleif-Operationen, entfernen Sie jede Rückstände von der Schleifscheibe mit Alkohol und einer Bürste.

ERSETZUNG DER KLINGE

Die Klinge muss ersetzt werden, wenn es nicht mehr möglich ist, diese zu schleifen oder wenn der Abstand zwischen dem Schneideteil der Klinge und dem Klingenschutz mehr als 6 mm ist. Geben Sie das Gerät in eine der nächstliegenden autorisierten Werkstätte, um die Klinge zu ersetzen.

GARANTIE

Die Garantiezeit für unsere Produkte beträgt 2 Jahre, sofern keine anderen Bestimmungen gelten, ab dem Datum des ursprünglichen Kaufs oder ab dem Lieferdatum.

Bei Problemen oder Fragen können Sie sich an unsere Hilfeseiten, Tipps zur Fehlerbehebung, FAQs und Bedienungsanleitungen auf unserer Kundendienst-Website wenden:

<https://sav.hkoenig.com>.

Wenn Sie den Referenznamen Ihres Geräts in die Suchleiste eingeben, erhalten Sie Zugang zu allen verfügbaren Online-Supports.

Wenn Sie immer noch keine Antwort auf Ihre Frage oder Ihr Problem finden, dann klicken Sie auf "Hat die Antwort Ihr Problem gelöst?". Sie können dieses Formular ausfüllen, um Ihre Anfrage zu bestätigen und Hilfe zu erhalten.

GARANTIEBEDINGUNGEN

Die Garantie deckt alle Defekte ab, die bei normalem, bestimmungsgemäßem Gebrauch und den in der Bedienungsanleitung enthaltenen Spezifikationen auftreten.

Diese Garantie gilt nicht für Probleme mit der Verpackung oder dem Transport während des Versands des Produkts durch den Eigentümer. Sie umfasst auch nicht den normalen Verschleiß des Produkts, die Wartung oder den Austausch von Verschleißteilen.

AUSSCHLUSS DER GARANTIE

- Zubehör und Verschleißteile (*).
- Die normale Wartung des Geräts.

- Alle Defekte, die durch unsachgemäßen Gebrauch (Stöße, Nichteinhaltung der empfohlenen Stromzufuhr, schlechte Nutzungsbedingungen usw.), unzureichende Wartung oder Zweckentfremdung des Geräts auftreten, sowie die Verwendung von ungeeignetem Zubehör.
- Schäden durch äußere Einflüsse: Brand, Wasserschäden, elektrische Überspannung usw.
- Alle Geräte, die von anderen als den befugten Personen (insbesondere dem Nutzer) auch nur teilweise auseinandergelöst wurden.
- Produkte, deren Seriennummer fehlt, beschädigt oder unleserlich ist, sodass sie nicht identifiziert werden können.
- Produkte, die vermietet, vorgeführt oder ausgestellt werden.

(*) Einige Teile Ihres Geräts, die als Verschleißteile oder Verbrauchsmaterialien bezeichnet werden, verschleiben mit der Zeit und der Häufigkeit der Nutzung Ihres Geräts. Diese Abnutzung ist normal, kann aber durch falsche Nutzung oder Pflege Ihres Geräts noch verstärkt werden. Diese Teile sind daher nicht durch die Garantie abgedeckt. Das mit dem Gerät gelieferte Zubehör ist ebenfalls von der Garantie ausgeschlossen. Sie können daher weder umgetauscht noch erstattet werden. Einige Zubehörteile können jedoch direkt über unsere Website <https://sav.hkoenig.com/> erworben werden.

UMWELT

ACHTUNG:



Werfen Sie nicht dieses Produkt, wie es mit anderen Haushaltsprodukten hat. Es gibt eine Mülltrennung von diesem Produkt in Gemeinden, Sie müssen Ihre lokalen Behörden über die Orte, wo man dieses Produkt zurückgeben können zu informieren. In der Tat enthalten elektrische und elektronische Produkte gefährliche Stoffe, die schädliche Auswirkungen auf die Umwelt oder die menschliche Gesundheit haben und sollte recycelt werden. Das Symbol hier darauf hinweisen, dass elektrische oder elektronische Geräte sollten sorgfältig ausgewählt werden, ist ein fahrbarer Abfallbehälter mit einem Kreuz markiert.

Adeva SAS / H.Koenig Europe - 8 rue Marc Seguin, 77290 Mitry-Mory, France
www.hkoenig.com - <https://kundenservice.hkoenig.com> - Tél: +33 1 64 67 00 05

NEDERLANDS

LEES ALSTUBLIEFT DEZE HANDLEIDING EN BEWAAR HEM

Lees deze handleiding zorgvuldig door voor dat u het apparaat gebruikt, om schade door verkeerd gebruikt te voorkomen. Let vooral op de paragrafen met veiligheids- en gevaarsymbolen. Gebruikers moeten worden getraind voor de bijbehorende gevaren bij het gebruik en het schoonmaken van de snijmachine en moeten de voorzorgsmaatregelen kennen.

BELANGRIJKHEID VAN DE HANDLEIDING

1. De handleiding is als een onderdeel van de machine. Het bevat belangrijke informatie over veiligheid en gevaren, aangegeven met symbolen.
2. De informatie zal u helpen de machine in perfecte conditie te houden voor de veiligheid en het zal de beste resultaten geven.
3. Het doel van de handleiding is de klant zo veel mogelijk informatie te geven over de vlees snijmachine en met de instructies voor het juiste gebruik en onderhoud zal het zo efficiënt mogelijk blijven werken.
4. Deze handleiding moet worden gegeven aan de persoon die verantwoordelijk is voor het gebruik en het periodiek onderhoud.
5. De handleiding moet worden bewaard in goede conditie en makkelijk bereikbaar zijn voor snelle referentie.
6. De snijmachines kunnen verschillen per revisie, daarom kunnen details anders zijn dan hier getoond; deze mogelijkheid heeft geen effect op de informatie in deze handleiding.

WAARSCHUWING: BELANGRIJKE VOORZORGSMATREGELEN



Ter bescherming tegen een risico op een elektrische schok, plaats het apparaat niet in water of een andere vloeistof. Maak het apparaat niet schoon met een overmaat aan water.

Haal de stekker uit het stopcontact als het apparaat niet wordt gebruikt. Haal de stekker uit het stopcontact voordat er onderhoud wordt uitgevoerd en voor het verwijderen van beschermingen om schoon te maken.

1. Gebruik alleen volledig geïnstalleerde snijmachines met een voedsel blad en voedsel houder arm met alle beschermingen. Gebruik het apparaat niet als er beschermingen zijn verwijderd.
2. Vermijd het aanraken van bewegende delen.
3. Nooit voedsel met de hand duwen.
4. Het mes is scherm, wees voorzichtig met het schoon maken.
5. Gebruik geen apparaat waarvan de kabel of stekker is beschadigd.
6. Breng het apparaat naar de dichtstbijzijnde servicemonteur om het apparaat te controleren en mogelijke en noodzakelijke elektrische en mechanische aanpassingen te laten verrichten.
7. Het gebruik van reserveonderdelen die niet zijn aanbevolen of verkocht door de fabrikant, kan leiden tot vuur, elektrische schokken of verwondingen.
8. Niet buiten gebruiken.

WAARSCHUWINGEN EN VEILIGHEIDSREGELS

De fabrikant wijst alle verantwoordelijkheden af bij verkeerd gebruik van het apparaat.

1. Gebruik de voedsel snijmachine niet voor bevroren voedsel, vlees met botten, **groente** of iets anders dan voedsel.
2. Controleer periodiek de staat van de kabel; als het beschadigd is, moet het worden vervangen door gekwalificeerd personeel.
3. Dompel de voedsel snijmachine niet onder in water bij het schoonmaken.
4. De snijmachine mag niet worden schoongemaakt met een waterstraal.
5. Gebruik geen verlengkabels.
6. Haal de stekker er niet uit door aan de kabel te trekken.
7. Gebruik het apparaat niet met natte handen of blote voeten.
8. Plaats de snijmachine ver genoeg van warmtebronnen.
9. Plaats geen handen in de buurt van bewegende delen, ook al zijn er beschermingen. Ook al is het apparaat uitgerust met beschermingen, houd uw handen weg van het mes en bewegende delen.

Tijdens onderhoud of bij het schoon maken (en daarvoor de beschermingen zijn verwijderd), moet er steeds op de gevaren gelet worden. Voordat u begint met iedere vorm van onderhoud, haal eerst de stekker uit het stop contact en controleer dat de draaiknop op "0" staat.

Verwijder de mes bescherming periodiek, door de schroef los te schroeven (in het midden van de mes bescherming), maak dan zowel het mes als de binnenkant van de mes bescherming schoon met alcohol of warm water.

10. Het apparaat mag niet worden gebruikt als het is gevallen, er zijn duidelijke tekenen van schade zichtbaar of er zijn lekken.
11. Houd het apparaat en het snoer buiten bereik van kinderen onder de 8 jaar.
12. Bij het gebruik van elektrische apparatuur moeten altijd veiligheidsmaatregelen worden genomen om het risico van brand, elektrische schokken en/of letsel in geval van verkeerd gebruik te voorkomen.
13. Laat het apparaat nooit onbeheerd achter terwijl het in bedrijf is.
14. Reiniging en onderhoud mogen niet worden uitgevoerd door kinderen tenzij ze 8 jaar of ouder zijn en onder toezicht van een volwassene staan.
15. Dieses Gerät darf von Kindern ab 8 Jahren benutzt werden, sofern diese beaufsichtigt werden oder eine Einweisung in den sicheren Gebrauch des Geräts erhalten haben und die damit verbundenen Gefahren verstehen.
16. Bij het gebruik van elektrische apparatuur moeten altijd veiligheidsmaatregelen worden genomen om het

risico van brand, elektrische schokken en/of letsel in geval van verkeerd gebruik te voorkomen.

17. Controleer of de spanning op het typeplaatje overeenkomt met de spanning die op het typeplaatje staat van uw installatie. Als dit niet het geval is, neem dan contact op met de dealer en sluit het apparaat niet aan.

18. Bewaar dit document bij de hand en geef het aan de toekomstige eigenaar in geval van overdracht van uw apparaat.

Waarschuwing

Dit apparaat kan worden gebruikt door personen met verminderde fysieke, zintuiglijke of mentale vermogens of met gebrek aan ervaring of kennis, op voorwaarde dat zij onder toezicht staan of instructies hebben gekregen over het veilige gebruik van het apparaat en dat zij de mogelijke gevaren volledig begrijpen.

- Dit apparaat moet worden behandeld met uiterste zorg, zoals bij ieder snij werktuig.
- Het apparaat en al zijn onderdelen moeten worden schoongemaakt met zachte vochtige doekjes met standaard neutrale schoonmaakmiddelen.
- Gebruik een zachte doek om af te drogen.
- Gebruik dit apparaat niet als het een beschadigde kabel

of stekker heeft, het niet correct werkt of als het beschadigd is of is gevallen. Als de stroomkabel beschadigd is, moet het worden vervangen door de fabrikant, klantenservice, servicemonteur of een gelijkwaardig gekwalificeerd persoon, om gevaren te vermijden.

Uw apparaat is uitsluitend ontworpen voor huishoudelijk gebruik. Het is niet bedoeld voor gebruik in de volgende situaties, die niet onder de garantie vallen:

- in personeelskeukens in winkels, kantoren en andere professionele omgevingen,
- in boerderijherbergen,
- door gasten in hotels, motels en andere residentiële omgevingen,
- in bed & breakfast-omgevingen.

SPANNINGSBRON AANSLUITING

Voordat u de stekker aansluit, controleer dat het voltage overeenkomt met het aangegeven voltage op de voedsel snijmachine (typeplaatje). De spanningsbron moet een overspanningsbeveiliging hebben om dit apparaat te beschermen. Controleer dat de aansluiting niet kan zorgen voor struikelen of vallen.

INSTRUCTIES VOOR GEBRUIK

1. Eenmaal uitgepakt, plaats het zo dat de on/off knop aan de voorkant zit.
2. Controleer dat de draaiknop op stand "0" staat, steek de stekker erin, schakel het apparaat aan, controleer dat het mes vloeiend draait, controleer dat er geen vreemde geluiden zijn en kijk of de "on" indicator brandt. Schakel het apparaat weer uit en controleer dat het mes weer tot stilstand komt.
3. Verander de dikte van de gewenste plakken door de draaiknop te draaien.
4. Plaats het voedsel dat gesneden moet worden op de glijdende plaat, tegen de voedsel houder arm, naar het mes gedraaid, zorg dat het voedsel rust tegen het beweegbare schot.
5. Schakel het apparaat aan, waardoor het mes begint te draaien.
6. Na gebruik, draai de draaiknop weer terug naar stand "0".

De voedsel greep mag niet worden verwijderd, tenzij het niet gebruikt kan worden door de vorm of grootte van het voedsel.

TRANSPORT - HANTEREN - OPSLAG



- Het apparaat is verpakt in een kartonnen doos met vullingen.
- De verpakking is geschikt voor iedere vorm van transport.

- Er kunnen verschillende dozen op elkaar worden gestapeld tot een maximum van 3-4 dozen.
- De verpakking moet droog worden gehouden.
- Het apparaat weegt meer dan 15kg, het moet voorzichtig worden gedragen door 2 personen.
- Op een pallet, hanteer het dan alleen met een palletwagen.

INSTALLATIE

Het wordt aanbevolen dat personeel dat het apparaat gaat gebruiken, instructies krijgt tijdens installatie door een afgevaardigde van de fabrikant of de verkoper van de snijmachine.

Omgeving condities:

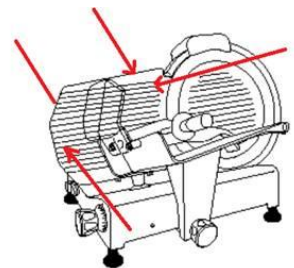
- Temperatuur Minimum/Maximum: + 8 °C/ + 38 °C
- Luchtvochtigheid Minimum/Maximum: 30% / 80%
- De snijmachine moet op een stevige ondergrond worden geplaatst om beweging te voorkomen.
- De kabel moet zo geplaatst zijn dat er niemand kan struikelen of er over kan vallen.
- Plaats de messenslijper (10), duim bescherming (24), ronde beschermingshendel (25) op de juiste plaats. Deze onderdelen kunnen de gebruiker beschermen. Als de messenslijper is verwijderd, gebruik het apparaat dan niet meer, door het scherpe mes. Als de voedsel houder (24) niet op zijn plek zit, gebruik het apparaat dan niet om vlees dat botten bevat en andere niet voedsel producten te snijden.
- Er zit een kleine schakelaar op de mes bescherming knop (9), als de knop op de uitstand staat, zal het apparaat automatisch stoppen. Het zorgt voor de veiligheid van de gebruiker. Bekijk alstublieft de onderstaande afbeelding.

Waterpas zetten

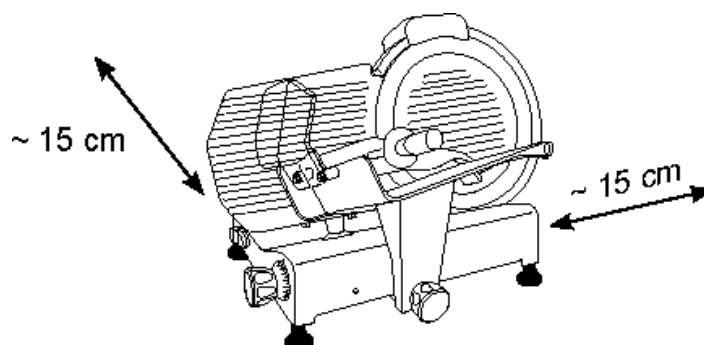
Controleer dat het beweegbare schot (2) met de draaiknop (6) in stand "0" is uitgelijnd met het mes in de zone (A).

Als het niet goed is uitgelijnd, pas dan de voetsteunen (12) aan.

Opmerking: Om het beweegbare tussenschot aan te passen ten opzichte van het blad, duw of trek je gewoon een beetje aan het tussenschot tot de gewenste positie is bereikt.

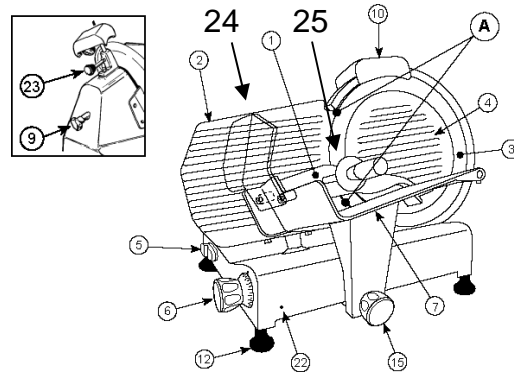


Noodzakelijke ruimte voor gebruik



Onderdeel Nummer

- 1 - Voedsel houder arm
- 2 - Beweegbaar schot
- 3 - Mes
- 4 - Mes bescherming
- 5 - Aan/Uit knopt
- 6 - Draaiknop
- 7 - Schuifplaat of schuif voedsel plank
- 9 - Mes bescherming blokkeer knop
- 10 - Messenslijper
- 12 - Voetsteunen
- 15 - Voedsel plank fixeer knop (BLC)
- 22 - Blokkade voedsel plank / beweegbaar schot (BLC) gat
- 23 - Messenslijper blokkade knop
- 24 - Duim bescherming
- 25 - Ronde beschermingshendel



APPARAAT SCHOONMAKEN EN ONDERHOUD

1. Voor het beginnen met schoon maken, haal de stekker uit het stopcontact en controleer dat de draaiknop (6) in stand "0" staat. De bescherming moet gesloten zijn tijdens het schoon maken van het mes;
2. Gebruik geen waterstralen.
3. Gebruik geen borstels die het oppervlak van het apparaat kunnen beschadigen.
4. Gebruik een zachte vochtige doek met een gewoon schoonmaakmiddel (kijk voor een voorbeeld in de accessoire doos).
5. Verplaats het apparaat niet om het schoon te maken. Er zijn anti snij handschoenen verkrijgbaar en het wordt aanbevolen deze te gebruiken als er gevaar is om gesneden te worden.

Als u zult merken is de snijmachine zo ontworpen dat het

uiterst eenvoudig is om snel en perfect alle onderdelen schoon te maken.

Het schoonmaken van het apparaat dient iedere dag te gebeuren, of vaker indien nodig (bij verschillende soorten voedsel), zorg dat alle oppervlakken smetteloos schoon gemaakt worden die in contact komen met het te snijden voedsel.

Als het apparaat vies is, maak het dan schoon.

Als de snijmachine stopt met snijden, kan het komen door een oververhitte motor, breng het apparaat dan naar de dichtstbijzijnde service monteur voor inspectie.

Het is niet noodzakelijk om het mes te verwijderen voor de schoonmaak, het kan worden schoon gemaakt als het nog ingebouwd is.

- Gebruik anti snij handschoenen.

Verwijdering van de mes bescherming (4).

- Draai de knop los (9) maak het los en verwijder de

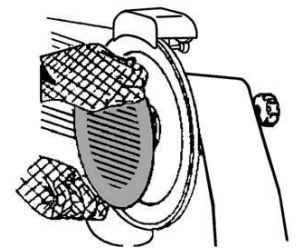
Mes bescherming scherm (4).

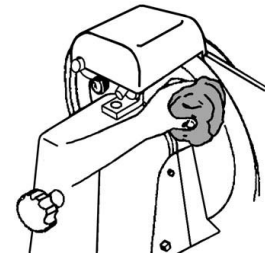
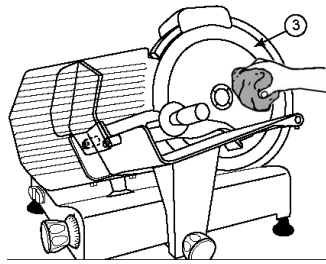
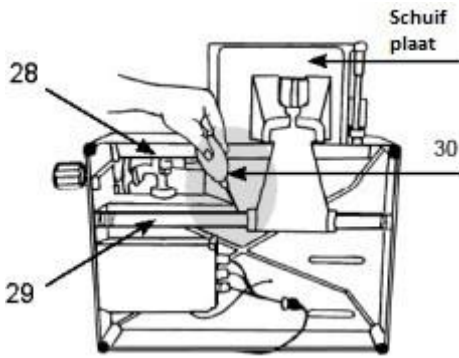
- Maak het mes schoon (3) aan beide kanten zoals aangegeven

In de afbeelding.

Als de schuifplaat niet meer soepel schuift, leg dan de machine op de zijkant.

Maak de schuifbalk (29) schoon en smeer het in met Vaseline of industriële olie.





MES SCHERPEN

Als het apparaat niet goed snijdt en het mes is bot, moet het worden gescherpt door gekwalificeerd personeel.

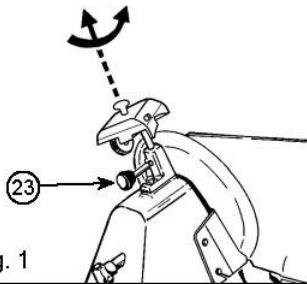


Fig. 1

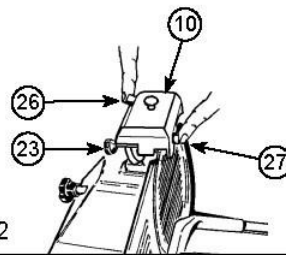


Fig. 2

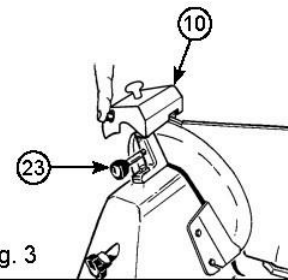


Fig. 3

Let Op: Het mes is gehard, daarom moet het alleen worden geslepen als het snijden afneemt. De mes bescherming moet zijn gesloten met een integraal messen slijper tijdens het slijpproces.

- Haal de stekker eruit
- Controleer dat het beweegbaar schot is gesloten (draaiknop (6) in stand "0").
- Maak voorzichtig het gedeelte van de mes schoon wat geslepen wordt.
- Steek de stekker er weer in.
- Maak de messenslijper blokkade knop (23) los van de messenslijper (10).

- Til de messenslijper (10) omhoog, draai het 180° zodat beide wielen in de werkstand komen te staan. Zie Fig. 1
- Laat de messenslijper (10) zakken totdat het vast klikt.
- Zeker de messenslijper door de blokkade knop (23) aan te draaien. Zie Fig. 2
- Schakel het apparaat aan.
- Druk op knop (26) en laat het mes draaien voor ongeveer 1 minuut. Als het blad stil staat, controleer of er bramen zijn gevormd aan de rand.
- Als het bramen zijn gevonden, schakel (5) in en druk voorzichtig op knop (27) voor ongeveer 3 seconden om de bramen na het slijpen te verwijderen. Draai de draaiknop (6) weer terug naar de "0" stand.
- Na het slijpen, plaats de messenslijper (10) weer in zijn originele positie, zie Fig. 3 en maak de rand van het mes en de wielen schoon met alcohol.
- Na meerdere slijpprocedures, verwijder alle resten op de slijpwielen met alcohol en een borstel.

MES VERVANGING

Het mes moet worden vervangen als het niet meer geslepen kan worden, of als de afstand tussen het mes en de mes bescherming meer dan **6 mm** is. Breng het apparaat naar het dichtstbijzijnde servicemonteur om het mes te vervangen.

GARANTIE

De garantieperiode op onze producten is 2 jaar, tenzij anders vermeld, beginnend vanaf de datum van de initiële aankoop of bezorgdatum.

Als u problemen of vragen heeft, kunt u eenvoudig onze hulppagina's bezoeken voor tips om problemen op te lossen, de FAQ's en andere gebruikershandleidingen op onze website: <https://sav.hkoenig.com>.

Door de referentiernaam van uw apparaat in de zoekbalk te typen, krijgt u toegang tot alle beschikbare online hulpmiddelen, ontworpen om aan uw behoeften te voldoen.

Als u toch niet een antwoord op uw vraag kunt vinden, klik dan op "Heeft het antwoord uw probleem opgelost? Hierdoor gaat u naar het Aanvraagformulier voor Klantenondersteuning, dat u in kunt vullen om uw verzoek te valideren en hulp te ontvangen.

GARANTIEVOORWAARDEN

De garantie dekt alle mankementen die voortkomen uit normaal gebruik, volgens de sectie gebruik en specificaties in de gebruikershandleiding.

Deze garantie omvat niet verpakkings- of transportproblemen tijdens het vervoer van het product door de eigenaar. Het omvat ook niet de normale slijtage van het product, noch het onderhoud of vervangen van verbruiksartikelen.

UITSLUITINGEN VAN DE GARANTIE

- Accessoires en verbruiksartikelen (*).
- Normaal onderhoud van het apparaat.
- Alle mankementen veroorzaakt door verkeerd gebruik (schokken, het niet opvolgen van de aanbevolen stroomvoorziening, in slechte omstandigheden gebruiken, etc.), onvoldoende onderhoud of ondeugdelijk gebruik van het apparaat, alsook het gebruik van ongeschikte accessoires.
- Schade van buitenaf: vuur, waterschade, elektrische stroompiek, etc.
- Apparaten die uit elkaar zijn gehaald, ook gedeeltelijk, door personen die niet er niet gekwalificeerd voor zijn (zoals de gebruiker).
- Producten waarvan het serienummer verdwenen, beschadigd of onleesbaar is, waardoor we het niet kunnen identificeren.
- Producten die verhuurd werden of ter demonstratie of showmodel waren.

(*). Sommige onderdelen van uw apparaat, genaamd verbruiksartikelen, slijten naar verloop van tijd en bij veel gebruik van uw apparaat. Deze slijtage is normaal, maar kan verergerd worden door slechte omstandigheden of onderhoud van uw apparaat. Deze onderdelen worden daarom niet gedekt door de garantie.

De accessoires meegeleverd met het apparaat zijn ook uitgesloten van de garantie. Ze kunnen niet vervangen of gerestitueerd worden. Echter, sommige accessoires zijn te koop via onze website: <https://sav.hkoenig.com/>.

MILIEU

ATTENTIE:



Dit apparaat mag niet met uw ander huishoudelijke toestellen worden verwijderd. Dit product moet op een geselecteerde stortplaats verwijderd worden. U kunt bij de gemeente een indiceerde plaats aanvragen. Elektrisch en elektronische producten kunnen gevaarlijke stoffen inhouden die schadelijk zijn voor mensen en het milieu en moet recycled worden. Het symbool aan de kant geeft aan dat het een elektrisch en elektronisch toestel is en zijn dus artikelen van een selectieve collectie. Het beeld geeft een afvalbak met een X teken aan.

Adeva SAS / H.Koenig Europe - 8 rue Marc Seguin, 77290 Mitry-Mory, France
www.hkoenig.com - <https://en.hkoenig.com> - Tél: +33 1 64 67 00 05

ESPAÑOL

LEA Y GUARDE ESTAS INSTRUCCIONES

Lea atentamente este manual de instrucciones antes de utilizar la rebanadora para evitar daños por causa de usos inadecuados. Preste especial atención en los párrafos relacionados con la seguridad y los señalizados con símbolos de peligro. Los usuarios deben ser instruidos en los peligros asociados con el uso y la limpieza de la rebanadora y tomar las precauciones necesarias.

MEDIDAS DE SEGURIDAD IMPORTANTES

1. El manual de instrucciones forma parte integral de la rebanadora. El mismo ofrece información importante sobre la seguridad y el uso correcto de la rebanadora, incluyendo símbolos y advertencias de peligro.
2. La información incluida en este manual le permitirá utilizar la rebanadora en perfectas condiciones de seguridad y obtener un resultado de máxima satisfacción.
3. El objetivo de este manual es proporcionarle al cliente tanta información como sea posible acerca de nuestra rebanadora de carne, así como las instrucciones necesarias para su uso y mantenimiento, con el fin de mantener la rebanadora funcionando de forma eficiente.
4. Este manual de instrucciones debe ser entregado a los responsables del uso y mantenimiento periódico de la rebanadora de carne.

5. El manual de instrucciones debe mantenerse en buenas condiciones y guardarse en un lugar de fácil acceso para posibles consultas en el futuro.
6. Las rebanadoras están sujetas a revisión y por lo tanto, este modelo puede ser algo diferente a los mostrados en este documento. Esta posibilidad no afecta la información contenida en el manual.

ADVERTENCIA: PRECAUCIONES QUE DEBE TENER EN CUENTA

1. Para evitar un riesgo de descarga eléctrica, no sumerja la rebanadora en agua o cualquier otro líquido. No limpie la rebanadora utilizando demasiada agua.
2. Para su protección, desenchufe la rebanadora cuando no esté en uso. Desconecte la rebanadora del tomacorriente antes del mantenimiento y el desmontaje para su limpieza.
3. Utilice siempre rebanadoras completamente ensambladas con la bandeja deslizante y el soporte del producto, además de todas las protecciones. No utilice la rebanadora sin los accesorios de protección.
4. Evite el contacto con las piezas móviles.
5. Nunca empuje el producto que está rebanando con la mano.
6. La cuchilla es afilada, manipúlela con cuidado al limpiar la rebanadora.
7. No use esta rebanadora si su cable de alimentación o enchufe están dañados.
8. Lleve su rebanadora al centro de servicios autorizado más cercano de su localidad para que sea

inspeccionada y para realizar todos los ajustes eléctricos o mecánicos necesarios.

9. El uso de piezas de repuesto que no hayan sido recomendadas o vendidas por el fabricante puede causar incendios, descargas eléctricas o lesiones.
10. No use la rebanadora al aire libre.

ADVERTENCIAS Y MEDIDAS DE SEGURIDAD

El fabricante está exento de cualquier responsabilidad por daños personales o materiales derivados del uso indebido de la rebanadora.

1. No utilice la rebanadora para cortar productos congelados, carne deshuesada, **verduras** o cualquier otra cosa que no sean los alimentos sugeridos.
2. Compruebe periódicamente que el cable de alimentación de la rebanadora no esté dañado; en caso de presentar cualquier tipo de daño debe ser remplazado por el personal cualificado.
3. La rebanadora no debe sumergirse en agua para su limpieza.
4. La rebanadora no debe ser lavada con agua a presión.
5. No utilice extensiones eléctricas.
6. No desenchufe la rebanadora tirando del cable de alimentación.
7. No utilice la rebanadora con las manos mojadas o los pies descalzos.
8. Coloque la rebanadora distante de fuentes de calor.
9. No coloque las manos cerca de las partes en movimiento, incluso habiendo dispositivos de seguridad. Aunque la rebanadora esté equipada con accesorios de protección, mantenga las manos alejadas de la cuchilla y de las piezas móviles.

10. Durante el mantenimiento o las operaciones de limpieza (después de haber retirado las protecciones), hay otros riesgos que deben tenerse en cuenta. Antes de realizar cualquier mantenimiento, desenchufe la rebanadora del tomacorriente y asegúrese de que el regulador de espesor esté en la posición "0".
11. Retire el protector de cuchilla periódicamente, desenroscando la perilla (en el centro del protector de la cuchilla), luego limpie la cuchilla y el interior del protector de la cuchilla con alcohol o agua tibia.
12. El dispositivo no debe utilizarse si se ha caído, si hay signos evidentes de daño o si hay fugas.
13. Mantenga el aparato y su cable eléctrico fuera del alcance de niños de menos de 8 años.
14. Al utilizar equipos eléctricos, siempre se deben tomar precauciones de seguridad para evitar el riesgo de incendio, descarga eléctrica y/o lesiones en caso de uso indebido.
15. Nunca deje la unidad desatendida mientras esté en funcionamiento.
16. La limpieza y mantenimiento de la máquina no debe ser efectuada por niños a menos que tengan como mínimo 8 años de edad y cuenten con la supervisión de un adulto.
17. Este aparato puede ser utilizado por niños de al menos 8 años de edad, siempre que cuenten con supervisión y hayan recibido instrucciones sobre el uso seguro del electrodoméstico y sean plenamente conscientes de los peligros que implica.
18. Al utilizar equipos eléctricos, siempre se deben tomar precauciones de seguridad para evitar el riesgo de incendio, descarga eléctrica y/o lesiones en caso de uso indebido.

19. Asegúrese de que la tensión nominal de la placa de características corresponde a la tensión de red de su instalación. Si no es así, póngase en contacto con el distribuidor y no conecte la unidad.
20. Por favor, tenga este documento a mano y entréguelo al futuro propietario en caso de transferencia de su dispositivo.

Advertencia:

Este aparato puede ser utilizado por personas con capacidades físicas, sensoriales o mentales reducidas o con falta de experiencia o conocimientos, siempre que sean supervisadas o instruidas en el uso seguro del aparato y que entiendan perfectamente los peligros potenciales.

Todas las operaciones deben realizarse con el máximo cuidado, ya que se trata de un dispositivo de corte.

La rebanadora, así como todas sus piezas, deben limpiarse con paños suaves humedecidos y usando siempre detergentes neutros.

Utilice paños suaves para secar la rebanadora.

No use este aparato si su cable de alimentación o enchufe están dañados, si no está funcionando correctamente, está en mal estado o se ha caído. Si el cable de alimentación está deteriorado deberá ser remplazado por el fabricante, su personal técnico o un especialista similar para evitar riesgos potenciales.

Su aparato ha sido diseñado únicamente para uso doméstico. No ha sido diseñado para ser utilizado en las siguientes situaciones que no están cubiertas por la garantía:

- en áreas de cocina para el personal en tiendas, oficinas

- y otros entornos profesionales,
- en albergues agrícolas,
 - en hoteles, moteles y otros entornos residenciales,
 - en entornos de tipo bed and breakfast.

ALIMENTACIÓN

Antes de enchufar la rebanadora al tomacorriente, verifique que la tensión y la potencia de alimentación cumplen con las especificaciones eléctricas en la placa de características de la rebanadora.

El tomacorriente de su red eléctrica debe tener protección contra sobrecarga para conectar la rebanadora.

Asegúrese de que el cable de alimentación no quede en un lugar en el que pueda tropezar o caerse.

INSTRUCCIONES DE USO

Una vez que desempaque la rebanadora, colóquela de modo que el interruptor ON/OFF esté de frente.

Compruebe que el regulador de espesor esté en la posición "0", enchufe, encienda, compruebe que la cuchilla gira con fluidez, compruebe el sonido del giro de la cuchilla, compruebe que el indicador de "encendido" funciona bien. Apague la rebanadora y compruebe que la cuchilla se haya detenido.

Ajuste el grosor de la rebanada deseado girando el regulador de espesor.

Coloque el producto que pretende rebanar en la bandeja deslizante empujando contra el soporte del producto hacia la cuchilla, asegurándose siempre de que el producto que está siendo rebanado esté apoyado contra el tope móvil.

Encienda la rebanadora, activando así la cuchilla.

Después de usar la rebanadora, gire el regulador de espesor de nuevo a la posición "0".

No deje de asegurar el producto que está rebanando a menos que su forma y tamaño no se lo permitan.

TRANSPORTE – MANIPULACIÓN – ALMACENAMIENTO



- La rebanadora se embala en una caja de cartón con los enchufes insertados.
- El embalaje es adecuado para el traslado en todos los medios de transporte.
- Se pueden acomodar varias cajas una encima de la otra hasta un máximo de 3-4 cajas.
- El embalaje debe mantenerse seco.
- La rebanadora pesa más de 15 kg, debe ser manipulada cuidadosamente por 2 personas.
- Cuando se encuentren en pilas, manipúlelas únicamente con transpaletas o elevadores eléctricos.

INSTALACIÓN

Se recomienda que los operarios sean instruidos durante la instalación de la rebanadora por un representante del fabricante o del proveedor.

Condiciones ambientales

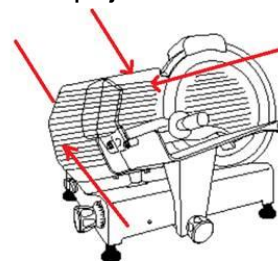
- Temperatura mínima/ máxima: +8°C/ +38 °C
- Humedad mínima/ máxima: 30% / 80%
- La rebanadora debe ser instalada sobre una superficie estable para evitar movimientos.
- El cable de alimentación debe estar conectado de forma tal que no se suelte o se deslice.
- Monte el afilador (10), el protector de dedos (24) y la manija con protección redonda (25) en su lugar. Cuando quite el afilador, no trabaje más, debido a que la cuchilla está muy afilada y es peligrosa. Cuando el protector de dedos (24) no está en su lugar, no utilice la rebanadora para cortar la carne que no haya sido deshuesada ni otros productos no alimenticios.
- Hay un micro interruptor en la perilla de bloqueo del protector de la cuchilla (9), cuando el regulador de espesor está en la posición "0", la rebanadora dejará de funcionar automáticamente garantizando así la seguridad del usuario. Vea la figura a continuación.

Nivelación de la rebanadora

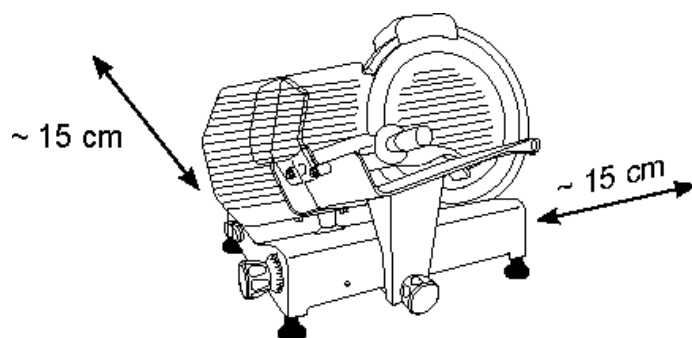
Compruebe que con el regulador de espesor (6) en la posición "0", el tope móvil (2) esté perfectamente alineado hacia la cuchilla en la zona (A).

Si no está alineado, regule los apoyos (12) enroscando o desenroscando los que sean necesarios para nivelar la rebanadora.

Nota: Para ajustar el tabique móvil en relación con la hoja, basta con empujar o tirar ligeramente del tabique hasta alcanzar la posición deseada.

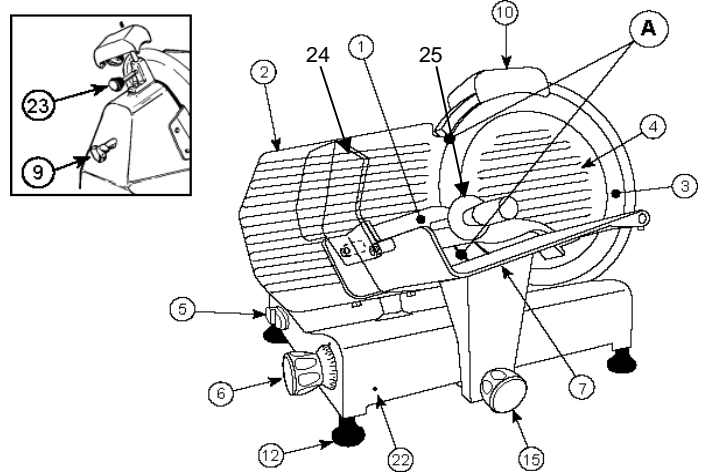


Exigencias de espacio para operar la rebanadora



Identificación de las piezas

- 1 – Soporte del producto
- 2 – Tope móvil
- 3 – Cuchilla
- 4 – Protector de cuchilla
- 5 – Interruptor ON/OFF
- 6 – Regulador de espesor
- 7 – Carro o bandeja deslizante
- 9 – Perilla de bloqueo del protector de cuchilla
- 10 – Afilador
- 12 – Apoyos
- 15 – Perilla de bloqueo de la bandeja deslizante (BLC)
- 22 – Orificio de bloqueo de la bandeja deslizante y el tope móvil (BLC)
- 23 – Perilla de bloqueo del afilador
- 24 – Protector de dedos
- 25 – Manija con protección redonda



LIMPIEZA Y MANTENIMIENTO DE LA REBANADORA

1. Antes de llevar a cabo la limpieza, desconecte la rebanadora del tomacorriente y asegúrese de que el regulador de espesor se encuentra en la posición "0". Debe bloquear la cubierta de la cuchilla o el disco protector durante la limpieza de la cuchilla.
2. No use agua a presión.
3. No utilice cepillos que puedan deteriorar la superficie de la rebanadora.
4. Utilice un paño suave húmedo con un detergente neutro estándar (por ejemplo, vea el tipo de detergente incluido en la caja de accesorios).
5. No mueva la rebanadora para limpiarla. Están disponibles y se recomienda usar guantes anticorte

adecuados para limpiar las partes donde hay peligro de corte.

Como podrá percibir, la rebanadora se ha diseñado para que usted pueda llevar a cabo la limpieza de todas las piezas que la conforman con facilidad y rapidez.

Debe limpiar la rebanadora al menos una vez por día o con mayor frecuencia si es necesario (cada vez que cambie el tipo de producto), siendo más escrupuloso a la hora de limpiar todas las superficies que entran en contacto con el producto a ser rebanado.

Si la rebanadora está sucia, límpiela antes del uso.

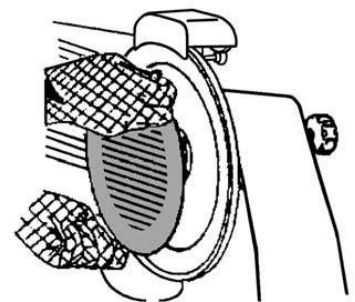
Si la rebanadora deja de cortar, puede ser debido al recalentamiento del motor, en estos casos, lleve la rebanadora al centro de servicios autorizado más cercano para su inspección.

No es necesario desmontar la cuchilla para efectuar su limpieza, ya que puede acceder a todas sus partes sin tener que desmontarla.

Use guantes anticorte.

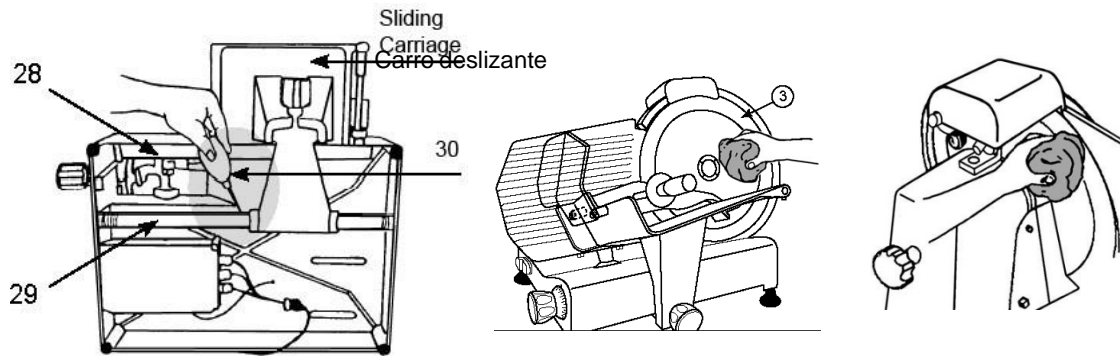
Desmontaje de la cuchilla (4)

- Afloje la perilla de bloqueo (9) y desenrósquela, luego retire el disco protector de la cuchilla (4).
- Limpie la cuchilla (3) por ambas caras como se indica en la figura al lado.



Si el carro deslizante deja de deslizarse con facilidad, coloque la rebanadora de costado. Limpie la barra guía

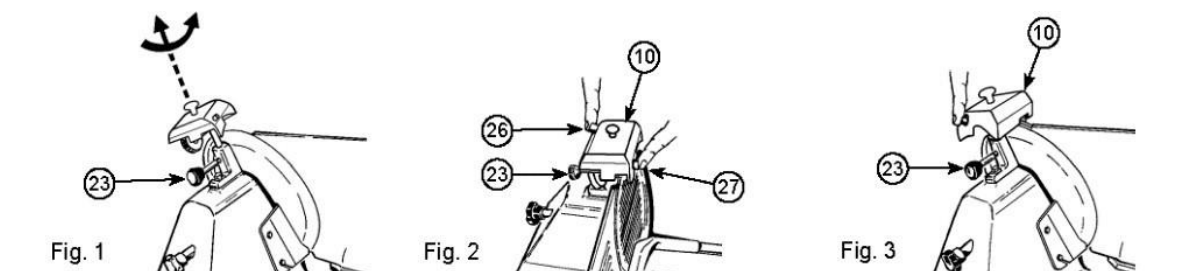
de deslizamiento (29) y lubríquela con vaselina o aceite lubricante industrial.



AFILADO DE LA CUCHILLA

Si la rebanadora no está cortando bien y la cuchilla está roma, debe ser afilada por una persona instruida y cualificada para ello.

Nota: Tenga presente que la cuchilla es altamente resistente y muy duradera, por lo tanto, deberá ser afilada solamente cuando disminuya considerablemente su capacidad de corte. En las rebanadoras equipadas con un afilador de cuchillas, el disco protector de la cuchilla debe ser bloqueado durante el proceso de afilado.



- Desenchufe la rebanadora del tomacorriente.
- Verifique que el tope móvil esté bloqueado (regulador de espesor (6) en la posición "0").

- Limpie cuidadosamente la parte de la cuchilla que pretende afilar.
- Vuelva a enchufar la rebanadora.
- Afloje la perilla de bloqueo (23) del afilador (10).
- Levante el cabezal del afilador (10) y gírelo 180° para que ambas ruedas esmeriles queden en la posición de trabajo. Vea la Fig. 1.
- Baje el cabezal del afilador (10) hasta que trabee.
- Bloquee nuevamente el cabezal girando la perilla de bloqueo (23). Vea la Fig. 2.
- Encienda la rebanadora por el interruptor (5).
- Presione el botón (26) y deje que la cuchilla gire durante aproximadamente 1 minuto. Cuando la cuchilla se detenga completamente, compruebe si ha quedado algún saliente en el filo.
- En caso de salientes, encienda la rebanadora por el interruptor (5) y presione suavemente el botón (27) durante unos 3 segundos para eliminar las imperfecciones en el filo de la cuchilla. Vuelva a girar el regulador de espesor (6) a la posición "0".
- Después de afilar, lleve el cabezal del afilador (10) de nuevo a su posición original (vea la Fig. 3) y limpie el filo de la cuchilla y las ruedas esmeriles con alcohol.
- Después de varias operaciones de afilado, debe limpiar cualquier residuo acumulado en las ruedas esmeriles usando un cepillo y alcohol.

REEMPLAZO DE LA CUCHILLA

La cuchilla deberá ser reemplazada cuando ya no sea posible afilarla o cuando la distancia entre el borde del filo

de la cuchilla y el disco protector de la cuchilla exceda los **6 mm**. Lleve la rebanadora al centro de servicios autorizado más cercano para reemplazar la cuchilla.

GARANTÍA

El periodo de garantía de nuestros productos es de 2 años, salvo que la ley estipule lo contrario, a partir de la fecha de la compra inicial o de la fecha de entrega.

Si tiene algún problema o pregunta, puede acceder fácilmente a nuestras páginas de ayuda, consejos para solucionar problemas, preguntas frecuentes y manuales de usuario en nuestro sitio de servicio: <https://sav.hkoenig.com>.

Al escribir el nombre de referencia de su dispositivo en la barra de búsqueda, puede acceder a toda la asistencia en línea disponible, diseñada para satisfacer mejor sus necesidades.

Si sigue sin encontrar una respuesta a su pregunta o problema, haga clic en "¿La respuesta ha resuelto su problema? Esto le llevará al formulario de solicitud de asistencia posventa, que puede rellenar para validar su solicitud y obtener ayuda.

CONDICIONES DE GARANTÍA

La garantía cubre todos los fallos que se produzcan en el contexto de un uso normal, de acuerdo con los usos y especificaciones del manual de usuario.

Esta garantía no se aplica a los problemas de embalaje o transporte durante el envío del producto por parte del propietario. Tampoco incluye el desgaste normal del producto, ni el mantenimiento o la sustitución de piezas consumibles.

EXCLUSIÓN DE GARANTÍA

- Accesorios y piezas de desgaste (*).
- Mantenimiento normal del aparato.
- Todas las averías derivadas de un uso incorrecto (golpes, incumplimiento de las recomendaciones de alimentación eléctrica, malas condiciones de uso, etc.), de un mantenimiento insuficiente o de un mal uso del aparato, así como del uso de accesorios inadecuados.
- Daños de origen externo: incendio, daños por agua, sobrecarga eléctrica, etc.
- Cualquier equipo que haya sido desmontado, incluso parcialmente, por personas que no estén autorizadas a hacerlo (en particular el usuario).
- Productos cuyo número de serie falte, esté dañado o sea ilegible, lo que no permitiría su identificación.
- Productos sujetos a alquiler, demostración o exposición.

(*) Algunas piezas de su aparato, conocidas como piezas de desgaste o consumibles, se deterioran con el tiempo y la frecuencia de uso de su aparato. Este desgaste es normal, pero

puede acentuarse por las malas condiciones de uso o de mantenimiento de su aparato. Por lo tanto, estas piezas no están cubiertas por la garantía.

Los accesorios suministrados con el aparato también están excluidos de la garantía. No se pueden cambiar ni reembolsar. No obstante, algunos accesorios pueden adquirirse directamente en nuestro sitio web: <https://sav.hkoenig.com/>

MEDIO AMBIENTE

ATENCIÓN:

No se deshaga de este producto como lo hace con otros productos del hogar. Existe un sistema selectivo de colecta de este producto puesto en marcha por las comunidades, debe de informarse en su ayuntamiento acerca de los lugares en los que puede depositar este producto. De hecho, los productos eléctricos y electrónicos pueden contener sustancias peligrosas que tienen efectos nefastos para el medio ambiente o para la salud humana y deben ser reciclados. El símbolo aquí presente indica que los equipos eléctricos o electrónicos deben de ser cuidadosamente seleccionados, representa un recipiente de basura con ruedas marcado con una X.



Adeva SAS / H.Koenig Europe - 8 rue Marc Seguin, 77290 Mitry-Mory, France
www.hkoenig.com - <https://sac.hkoenig.com/> - Tél: +33 1 64 67 00 05

ITALIANO

SI PREGA DI LEGGERE E CONSERVARE QUESTE ISTRUZIONI

Si prega di leggere queste istruzioni d'uso prima di collegare l'apparecchio per evitare danni a causa di un uso improprio. Fare particolare attenzione ai paragrafi con i simboli di sicurezza e di pericolo. Gli operatori devono essere informati sui pericoli connessi all'uso e la pulizia di affettatrici e ad osservare le precauzioni.

IMPORTANZA DELLA ISTRUZIONE

1. Il libretto di istruzioni è parte integrante della macchina. Esso contiene informazioni importanti per quanto riguarda la sicurezza e i pericoli, sottolineati con i simboli.
2. Le informazioni incluse vi permetteranno di utilizzare la macchina in perfette condizioni di sicurezza e di avere un risultato di massima soddisfazione
3. Lo scopo di queste istruzioni è quello di fornire al cliente quante più informazioni possibili circa la nostra affettatrice e fornire le istruzioni per l'uso e la manutenzione, al fine di mantenerla in funzione in modo efficiente.
4. Queste istruzioni dovrebbero essere date ai responsabili per l'uso e la manutenzione periodica dell'affettatrice.
5. Il libretto di istruzioni deve essere conservato in buone condizioni e riposto in un luogo facilmente accessibile per un riferimento rapido.

6. Le affettatrici sono sottoposte a revisione e possono, di conseguenza, avere dettagli diversi da quelli indicati; questa possibilità non ha alcun effetto sulle informazioni in questo libretto di istruzioni.

ATTENZIONE: PRECAUZIONI DA PRENDERE

1. Per la protezione contro il rischio di scosse elettriche, non mettere l'apparecchio in acqua o in qualsiasi altro liquido. Non pulire la macchina con molta acqua.
2. Scollegare l'apparecchio quando non è in uso. Rimuovere il tappo prima delle operazioni di manutenzione e smontaggio per la pulizia delle protezioni.
3. Usare sempre affettatrici completamente assemblate con vassoio cibo e braccio porta cibo e con tutte le protezioni. Non utilizzare la macchina con le protezioni rimosse.
4. Evitare il contatto con parti in movimento.
5. Mai spingere il cibo con le mani.
6. La lama è affilata, Maneggiare con cura durante la pulizia.
7. Non utilizzare l'apparecchio con cavo o spina danneggiati.
8. Portare apparecchio al più vicino centro di assistenza autorizzato per tutti i possibili e necessari adeguamenti elettrici o meccanici.
9. L'uso di pezzi di ricambio non raccomandati o non venduti dal produttore può provocare incendi, scosse elettriche o lesioni.
10. Non utilizzare all'aperto.

AVVERTENZE E NORME DI SICUREZZA

Il produttore declina ogni responsabilità in caso di uso improprio della macchina.

1. Non utilizzare l'affettatrice per alimenti surgelati, carni disossate, verdura o qualcosa di diverso dagli alimenti.
2. Verificare periodicamente lo stato del cavo; se danneggiato, deve essere sostituito da personale qualificato.
3. Non immergere l'affettatrice in acqua durante la pulizia.
4. L'affettatrice non deve essere lavata a getto d'acqua.
5. Non utilizzare cavi di prolunga.
6. Non scollegare il cavo tirandolo.
7. Non utilizzare la macchina con le mani bagnate o a piedi nudi.
8. Mettere l'affettatrice lontano da fonti di calore.
9. Non mettere le mani vicino alle parti in movimento anche se ci sono dispositivi di sicurezza. Anche se la macchina è dotata di dispositivi di sicurezza, tenere le mani lontane dalla lama e dalle parti in movimento. Durante la manutenzione o le operazioni di pulizia (quindi, dopo aver rimosso le protezioni), i rischi residui devono essere attentamente valutati. Prima di effettuare qualsiasi operazione di manutenzione, scollegare la macchina e fare in modo che la manopola graduata sia in posizione "0".

Rimuovere la protezione della lama periodicamente, svitando la vite (al centro della guardia lama), quindi pulire sia la lama e l'interno della protezione della lama con alcool o acqua calda.

- 10.** Il dispositivo non deve essere utilizzato se è stato lasciato cadere, sono visibili evidenti segni di danneggiamento o se presenta perdite.
- 11.** Conservare l'apparecchio e il cavo di alimentazione fuori dalla portata di bambini di età inferiore a 8 anni.
- 12.** Quando si utilizzano apparecchiature elettriche, è necessario adottare sempre misure di sicurezza per prevenire il rischio di incendi, scosse elettriche e/o lesioni in caso di uso improprio.
- 13.** Non lasciare mai l'unità incustodita durante il funzionamento.
- 14.** La pulizia e la manutenzione non devono essere eseguite da bambini a meno che abbiano più di 8 anni e siano sorvegliati da un adulto.
- 15.** Questo apparecchio può essere utilizzato da bambini a partire da 8 anni, purché sorvegliati e istruiti all'uso sicuro dell'apparecchio e pienamente a conoscenza dei pericoli che comporta.
- 16.** Quando si utilizzano apparecchiature elettriche, è necessario adottare sempre misure di sicurezza per prevenire il rischio di incendi, scosse elettriche e/o lesioni in caso di uso improprio.
- 17.** Accertarsi che la tensione nominale sulla targhetta corrisponda alla tensione principale della vostra installazione. In caso contrario, contattare il rivenditore e non collegare l'unità.
- 18.** Si prega di tenere questo documento a portata di mano e di consegnarlo al futuro proprietario in caso di trasferimento del dispositivo.

AVVERTIMENTO

Questo apparecchio può essere usato da persone con ridotte capacità fisiche, sensoriali o mentali o con mancanza di esperienza o conoscenza, a condizione che siano sorvegliate o istruite sull'uso sicuro dell'apparecchio e che comprendano pienamente i potenziali pericoli.

Questa operazione deve essere eseguita con la massima cura in quanto riguarda un dispositivo di taglio.

La macchina e tutte le sue parti devono essere pulite con un panno morbido inumidito con detergenti neutri standard.

Utilizzare panni morbidi per l'asciugatura.

Non utilizzare l'apparecchio se il cavo o la spina sono danneggiati, se non funziona correttamente o se è stato danneggiato o caduto. Se il cavo di alimentazione è danneggiato, deve essere sostituito dal costruttore, da un suo rappresentante o da una persona qualificata al fine di evitare rischi.

Il vostro apparecchio è stato progettato esclusivamente per un uso domestico. Non è destinato all'uso nelle seguenti situazioni che non sono coperte dalla garanzia:

- in cucine per il personale in negozi, uffici e altri ambienti professionali,
- in ostelli agricoli,
- da ospiti in hotel, motel e altri ambienti residenziali,
- in ambienti tipo bed and breakfast.

TENSIONE DI RETE

Prima di collegarla, controllare che la tensione di rete corrisponda alla tensione indicata sull'affettatrice (dati di targa). L'alimentazione deve avere un sovraccarico di protezione per questo apparecchio. Assicurarsi che la connessione non comporti l'inciampare o il cadere.

ISTRUZIONI PER L'USO

1. Una volta scartata, posizionarla in modo che l'interruttore on / off sia di fronte all'operatore.
 2. Posizionare la manopola graduata in posizione "0", inserire, attivare, controllare che la lama giri fluentemente, controllare il suono della lama, controllare che il tasto "on" funzioni bene. Spegnerne, controllare il funzionamento di arresto della lama.
 3. Regolare lo spessore della fetta desiderato ruotando la manopola graduata.
 4. Posizionare il cibo da affettare sul carrello scorrevole spingendo contro il braccio porta cibo di fronte alla lama, facendo in modo che il cibo sia appoggiato contro la paratia mobile.
 5. Accendere, attivando così la lama.
 6. Dopo l'uso, ruotare la manopola graduata in posizione "0".
- L'impugnatura del cibo non dovrebbe essere rimossa a meno che la forma e le dimensioni del cibo non consentano il suo utilizzo.

TRASPORTO - MOVIMENTAZIONE - STOCCAGGIO



- La macchina è confezionata in una scatola di cartone con le spine inserite.
- L'imballaggio è adeguato per viaggiare con tutti i mezzi di trasporto.
- Può essere impilata per un massimo di 3-4 cartoni.
- L'imballaggio deve essere: mantenuto asciutto.
- Il peso dell'apparecchio è di più di 15 kg, deve essere gestito da 2 persona accuratamente.
- Quando su pallet, gestire solo con traspallets o sollevatori elettrici.

INSTALLAZIONE

Si raccomanda che il personale che lo utilizzerà sia addestrato all'installazione da un rappresentante del fabbricante o del fornitore dell'affettatrice.

Condizioni ambientali:

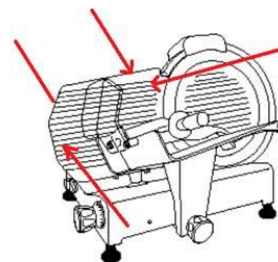
- Temperatura minima / massima: + 8 ° C / + 38 ° C
- L'umidità minima / massima: 30% / 80%
- L'affettatrice deve essere posta su un supporto stabile per evitare il suo movimento.
- Il cavo deve essere collegato per evitare di inciampare o scivolare.
- Montare il gruppo affilato (10), dispositivo di protezione del pollice (24), maniglia di protezione rotonda (25) al suo posto. Le parti possono proteggere l'utente. Quando viene tolto togliere il gruppo più affilato, non funziona più, a causa della lama pericolosa. Quando il dispositivo di spinta (24) non è a posto, non utilizzare l'apparecchio per affettare la carne che non è stato disossata e altri prodotti non alimentari.
- C'è un microinterruttore sulla manopola guardia coltello blocco (9), quando la manopola è spenta, la macchina smetterà di funzionare automaticamente. Esso garantisce la sicurezza dell'utente. Si prega di vedere l'immagine qui sotto.

Livellamento

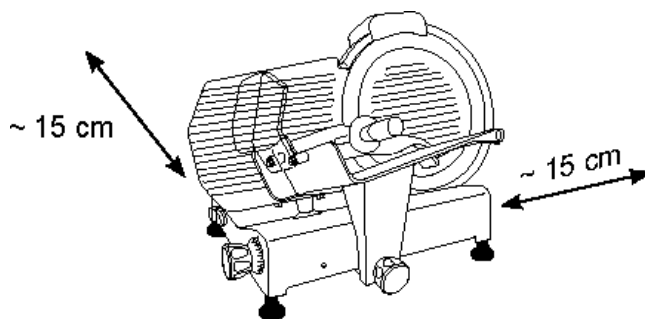
Verificare che la paratia mobile (2) con la manopola graduata (6) in posizione "0" sia allineata alla lama nella zona (A).

Se non è allineata regolare i piedi ni(12) svitando o avvitando quelli giusti.

Nota: per regolare il divisorio mobile rispetto alla lama, è sufficiente spingere o tirare leggermente il divisorio fino a raggiungere la posizione desiderata.

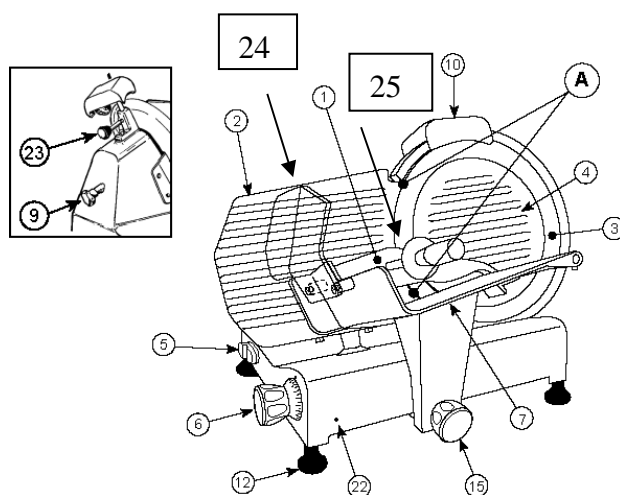


Spazio necessario per l'uso.



Numero di parte

- 1 - braccio porta alimenti
- 2- Lama
- 3 - Ponte mobile 24 25
- 4 – protezione
- 5 - On / Off
- 6 - manopola graduata
- 7 - Vassoio scorrevole cibo
- 9 – Blocco lama
- 10 - gruppo affilatrice
- 12 - Piedi
- 15 - pomello di fissaggio vassoio cibo (BLC)
- 22 – Foro Blocco / paratia mobile (BLC)
- 23 - manopola gruppo blocco dispositivo di protezione
- 24- pollice
- 25- maniglia protezione rotonda



PULIZIA DELLA MACCHINA E MNUTENZIONE

1. Prima di effettuare l'operazione di pulizia, togliere la spina dalla presa di corrente e fare in modo che la manopola graduata (6) sia in posizione "0". La piastra di calibro o la lamiera di protezione devono essere chiusi durante la pulizia della lama;
2. Non usare getti d'acqua.
3. Non usare spazzole che possono deteriorare la superficie della macchina.
4. Usare un panno morbido inumidito con un detergente neutro normale (si veda ad esempio il tipo incluso nella scatola degli accessori).
5. Non spostare la macchina per pulirla. Ci sono disponibili e si raccomanda di utilizzare i guanti anti-taglio dove vi è il pericolo di taglio.

Come si può notare, l'affettatrice è stata realizzata tenendo in massima considerazione la facilità, la rapidità e la perfetta possibilità di pulizia in tutte le sue parti.

La pulizia della macchina deve essere effettuata almeno una volta al giorno o con più frequenza se necessario (ad ogni cambio del tipo di prodotto), facendo attenzione ad effettuare una pulizia scrupolosa di tutte le superfici che vengono a contatto con il cibo da affettare.

Se l'apparecchio è sporco, si prega di pulire l'apparecchio. Se affettatrice smette di affettare, la causa può essere il surriscaldamento del motore, si prega di restituire apparecchio al centro di assistenza autorizzato più vicino per una verifica.

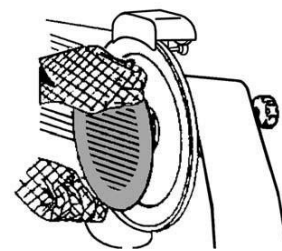
Non è necessario smontare la lama di pulizia in quanto può essere pulita in tutte le sue parti, senza doverla smontare.

- Utilizzare guanti antitaglio.

Smontaggio della lama-coperchio (4).

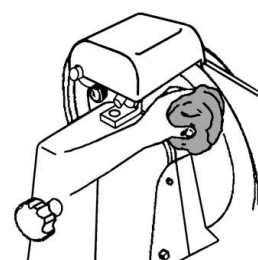
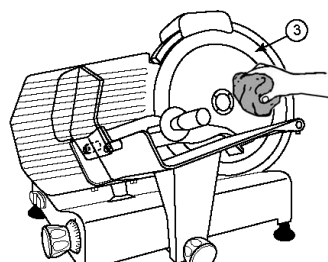
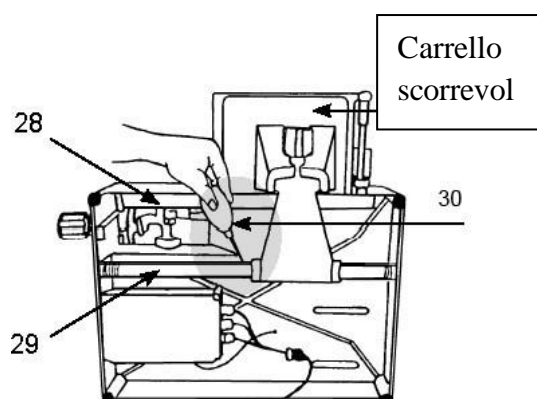
- Allentare il pomello (9) sfilarla e rimuovere il disco lama-coperchio (4).

- Pulire la lama (3) su entrambe le facce, come indicato in nel disegno.



Se il carrello scorrevole smette di scorrere, posare la macchina su un lato.

Pulizia della barra di scorrimento (29) e lubrificare con vaselina o olio industriale.



AFFILATURA LAMA

Se l'apparecchio non affetta bene e la lama è smussata, LA lama deve essere affilata da personale qualificato.

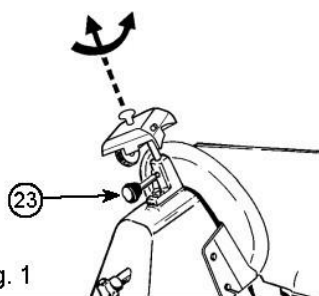


Fig. 1

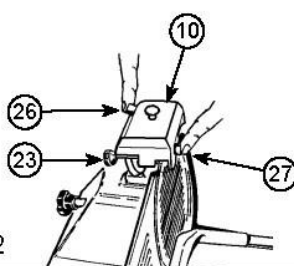


Fig. 2

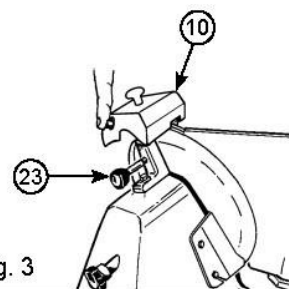


Fig. 3

NB: va notato che la lama è molto resistente, quindi deve essere affilata solo quando la capacità di taglio diminuisce. La piastra di calibro o lamiera di protezione devono essere chiuse sulle affettatrici con un affilatoio integrante durante l'operazione di affilatura.

- Scollegare.
- Verificare che la paratia mobile sia chiusa (manopola graduata (6) in posizione "0").
- Pulire accuratamente la parte della lama da affilare.
- Reinserire la spina.
- Allentare la manopola di bloccaggio (23) del gruppo affilatoio (10).
- Sollevare il gruppo affilatoio (10), ruotandolo di 180 ° in modo che entrambe le ruote siano in posizione di lavoro. Vedere la Fig. 1.
- Abbassare il gruppo affilatoio (10) fino a quando non si blocca.
- Fissare il gruppo ruotando la manopola di bloccaggio (23). Vedere la Fig. 2.
- Accensione.
- Premere il pulsante (26) e lasciare andare la lama per circa 1 minuto. Quando la lama è ancora in funzione, controllare per vedere se qualche bava si è formata sul bordo.
- Dopo aver verificato la presenza di sbavature, cliccare l'interruttore (5) su e il pulsante (27) premere delicatamente per circa 3 secondi per rimuovere il residuo prodotto durante l'affilatura. Mettere la manopola graduata (6) in posizione "0".
- Dopo l'affilatura, spostare il gruppo affilatoio (10) alla sua posizione originale, vedi fig. 3 e pulire il bordo della lama e le ruote con alcool.

- Dopo diverse operazioni di affilatura, rimuovere eventuali residui dalla ruota di affilatura con l'alcol e una spazzola.

SOSTITUZIONE LAMA

La lama deve essere sostituita quando non è più possibile affilare o quando la distanza tra la parte tagliente della lama e la protezione della lama è superiore a 6 mm. Portare l'apparecchio al centro di assistenza autorizzato più vicino per sostituire la lama.

GARANZIA

Il periodo di garanzia per i nostri prodotti è di 2 anni, se non diversamente stabilito dalla legge, a partire dalla data di acquisto iniziale o di consegna.

Se avete problemi o domande, potete facilmente accedere alle nostre pagine di aiuto, consigli per la risoluzione dei problemi, FAQ e manuali d'uso sul nostro sito post-vendita:

<https://sav.hkoenig.com>.

Digitando il nome di riferimento del tuo dispositivo nella barra di ricerca, puoi accedere a tutto il supporto online disponibile, progettato per soddisfare al meglio le tue esigenze.

Se ancora non riesci a trovare una risposta alla tua domanda o al tuo problema, allora clicca su "La risposta ha risolto il tuo problema? Questo vi porterà al modulo di richiesta di supporto post-vendita, che potete completare per convalidare la vostra richiesta e ottenere aiuto.

CONDIZIONI DI GARANZIA

La garanzia copre tutti i guasti derivanti da un uso normale, in conformità con gli usi e le specifiche del manuale utente.

Questa garanzia non si applica a problemi di imballaggio o di trasporto durante la spedizione del prodotto da parte del proprietario. Non include inoltre la normale usura del prodotto, né la manutenzione o la sostituzione delle parti di consumo.

ESCLUSIONE DELLA GARANZIA

- Accessori e parti soggette a usura (*).
- Normale manutenzione dell'apparecchio.
- Tutti i guasti derivanti da un uso improprio (urti, mancato rispetto delle raccomandazioni sull'alimentazione, cattive condizioni d'uso, ecc.), da una manutenzione inadeguata o da un uso improprio dell'apparecchio, nonché dall'uso di accessori inadeguati.
- Danni di origine esterna: incendio, danni d'acqua, sovratensione elettrica, ecc.
- Qualsiasi attrezzatura che sia stata smontata, anche parzialmente, da persone diverse da quelle autorizzate a farlo (in particolare l'utente).
- Prodotti per i quali il numero di serie è mancante, danneggiato o illeggibile, il che non permetterebbe la sua identificazione.

- Prodotti soggetti a noleggio, dimostrazione o esposizione.

(*) Alcune parti del suo apparecchio, note come parti soggette a usura o materiali di consumo, si deteriorano con il tempo e la frequenza d'uso del suo apparecchio. Questa usura è normale, ma può essere accentuata da cattive condizioni d'uso o di manutenzione del vostro apparecchio. Queste parti non sono quindi coperte dalla garanzia.

Anche gli accessori forniti con l'apparecchio sono esclusi dalla garanzia. Non possono essere scambiati o rimborsati. Tuttavia, alcuni accessori possono essere acquistati direttamente dal nostro sito web: <https://sav.hkoenig.com/>.

AMBIENTE

ATTENZIONE:



Non gettare quest' apparecchio tra i rifiuti domestici. Per questo tipo di prodotti è fornito dai comuni un sistema di raccolta e ritiro in zona ed è quindi un dovere informarsi per conoscere il giusto smistamento del rifiuto. Infatti, i prodotti elettrici ed elettronici possono contenere sostanze pericolose che hanno effetti dannosi sull'ambiente o sulla nostra salute e quindi devono essere riciclati. Il simbolo al lato indica che le apparecchiature elettriche ed elettroniche fanno parte di una raccolta selettiva e differenziata (rappresentata da un bidone su due ruote sbarrato da una croce).

Adeva SAS / H.Koenig Europe - 8 rue Marc Seguin, 77290 Mitry-Mory, France
www.hkoenig.com - <https://assistenza.hkoenig.com> - Tél: +33 1 64 67 00 05



FR
Cet appareil se recycle

À DÉPOSER EN MAGASIN À DÉPOSER EN DÉCHÈTERIE

 OU 

Points de collecte sur www.quefairedemesdechets.fr
Privilégiez la réparation ou le don de votre appareil !