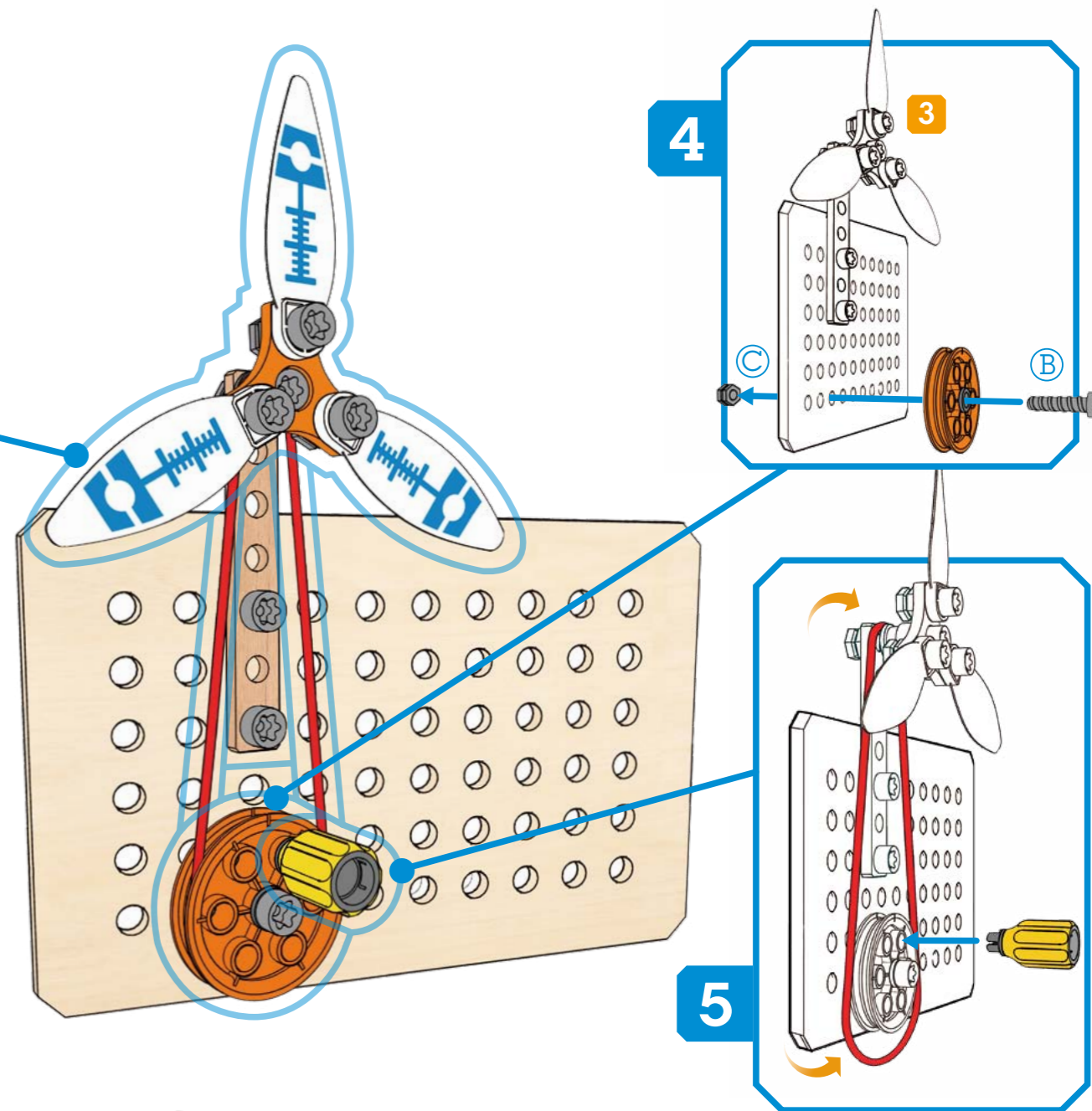
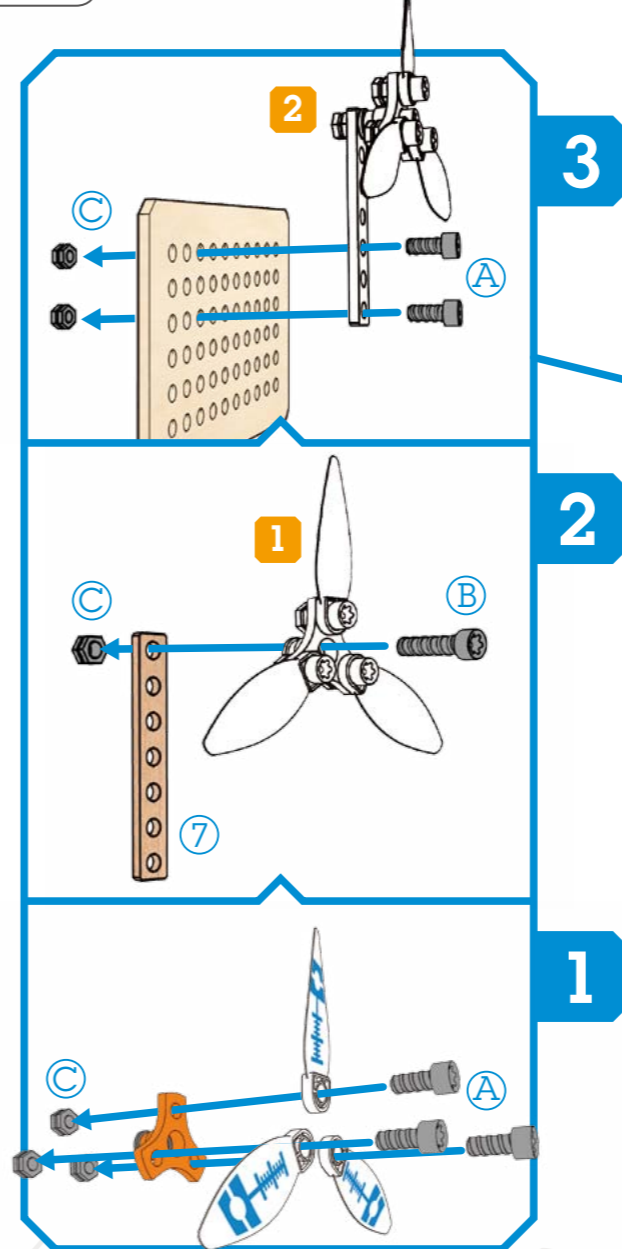
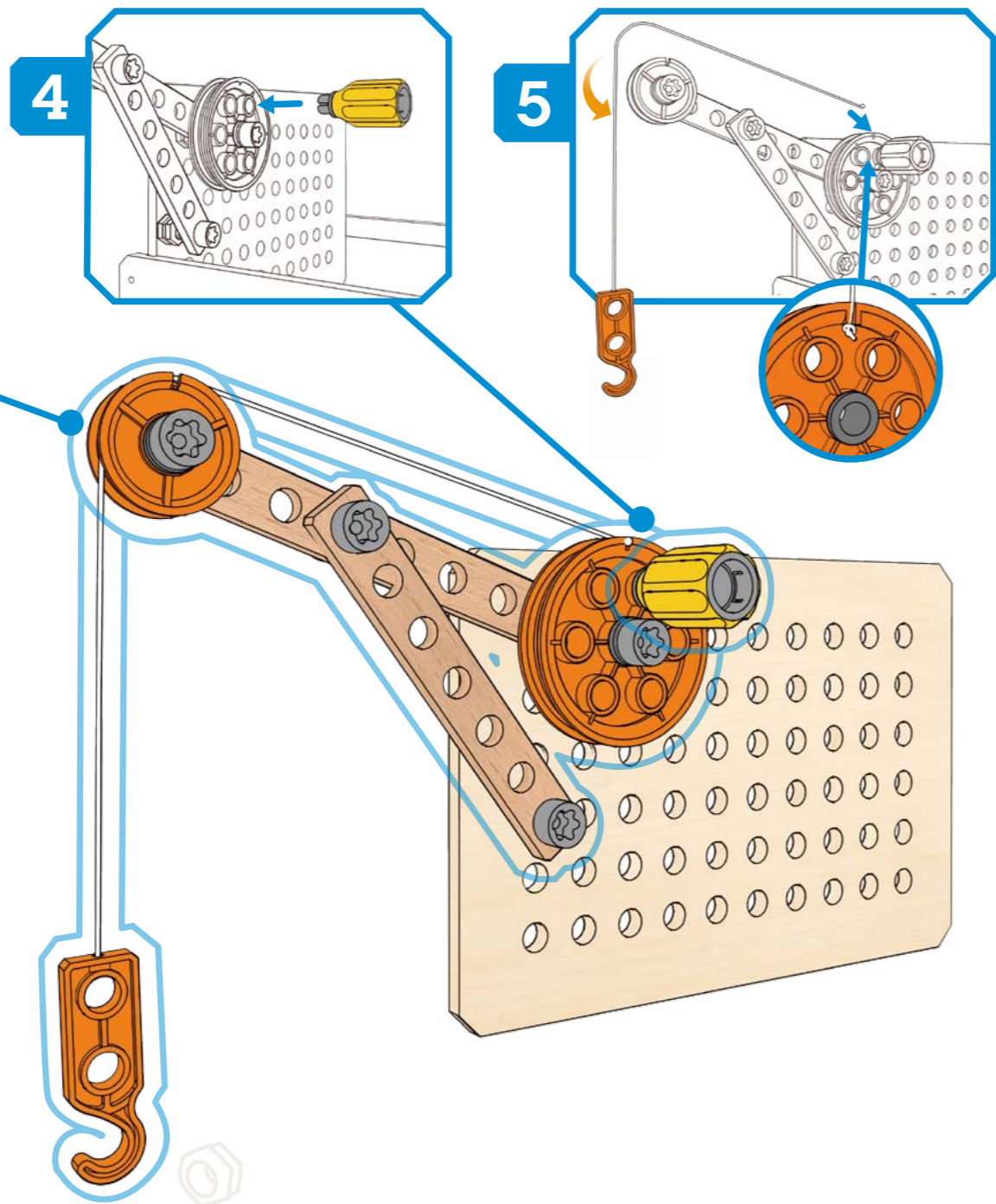
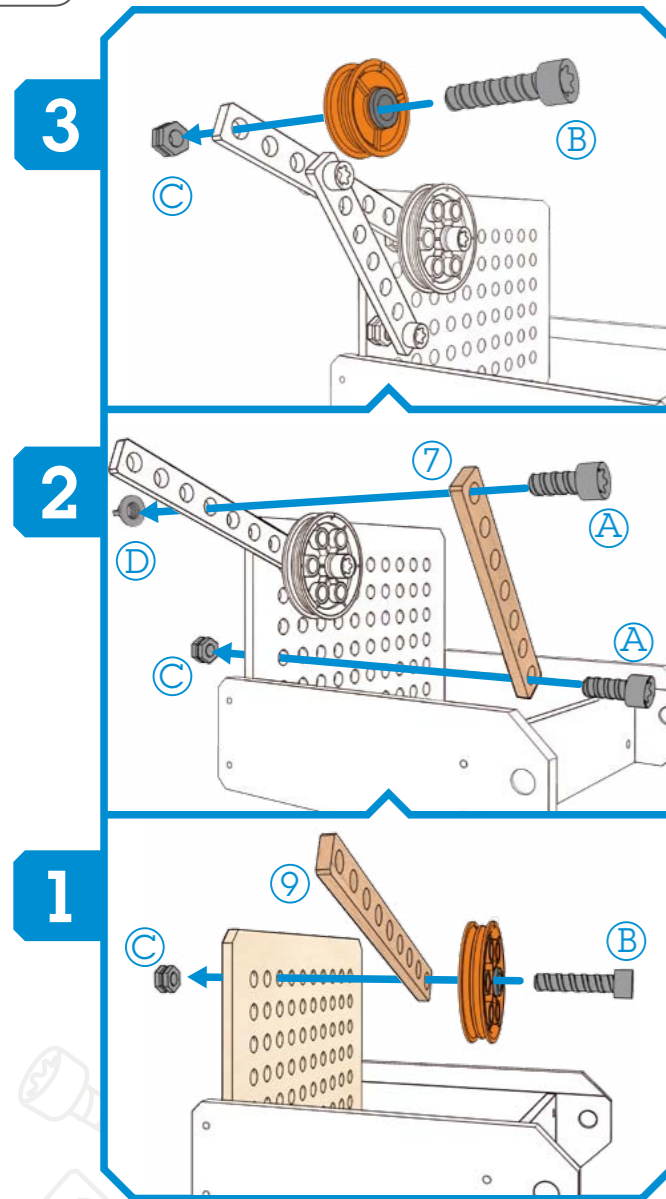


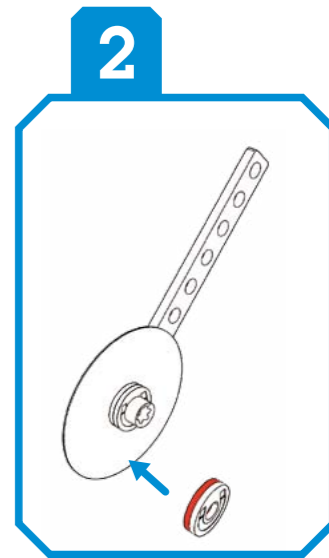
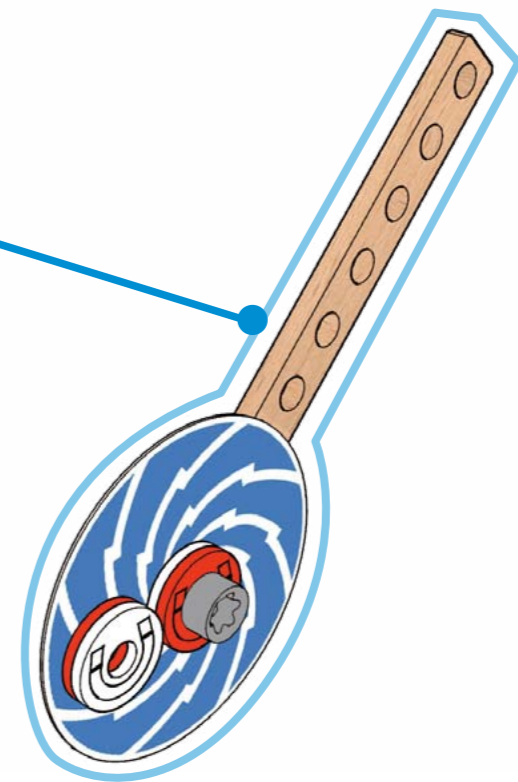
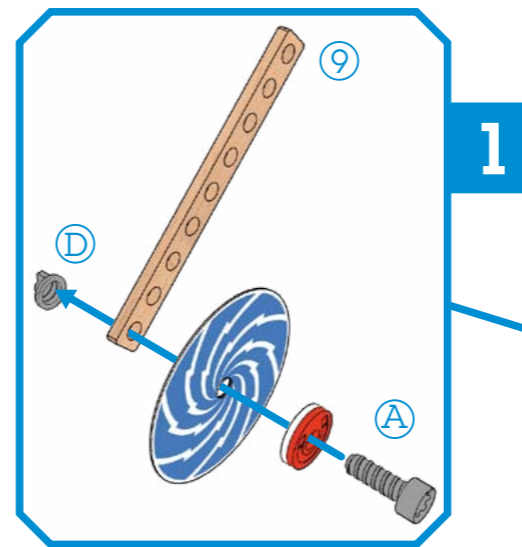
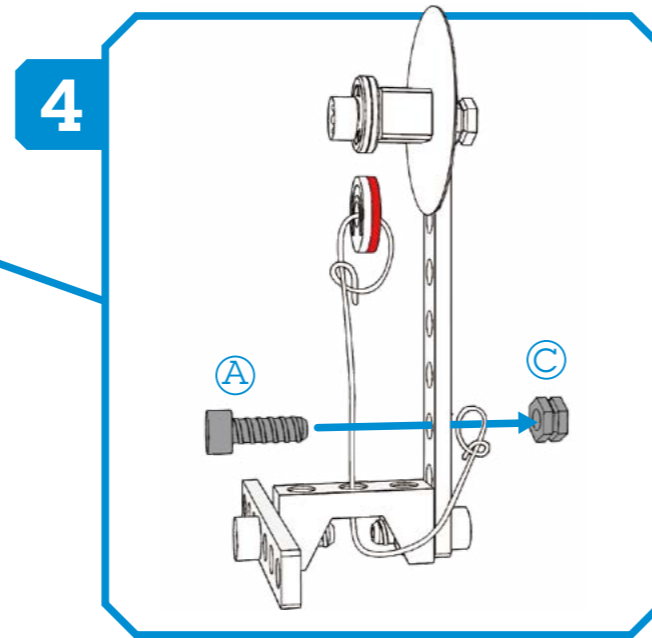
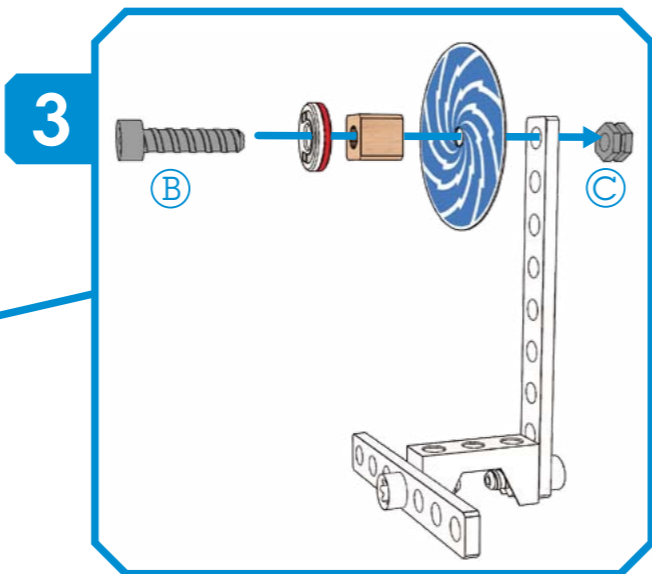
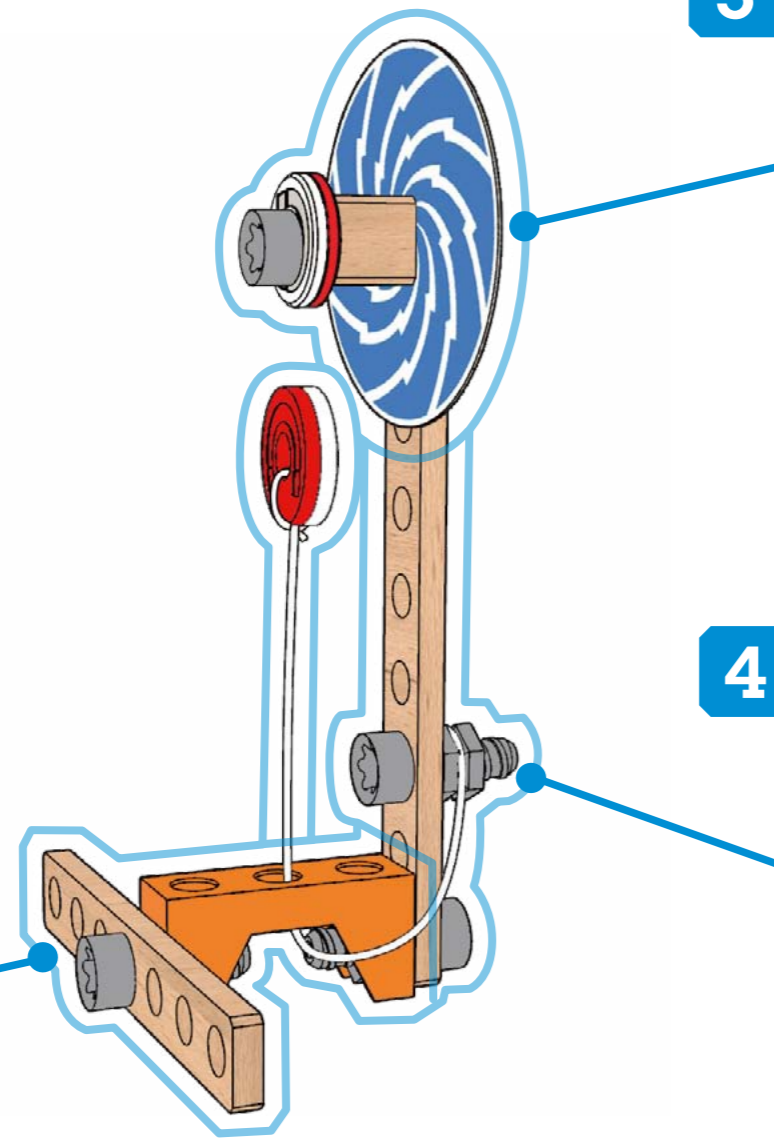
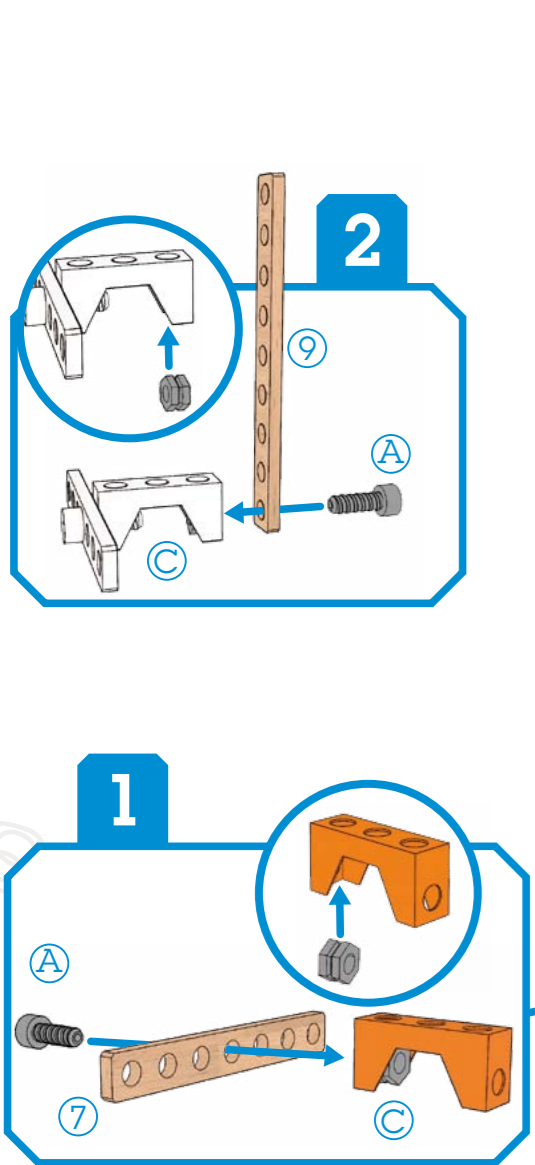


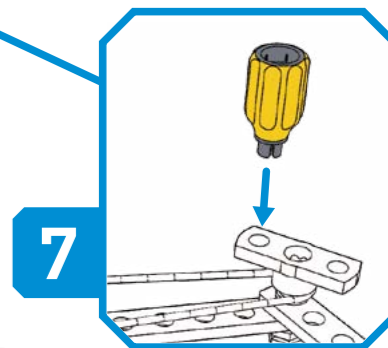
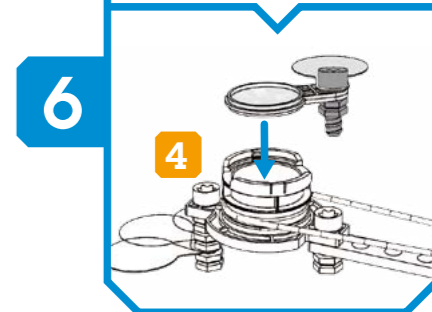
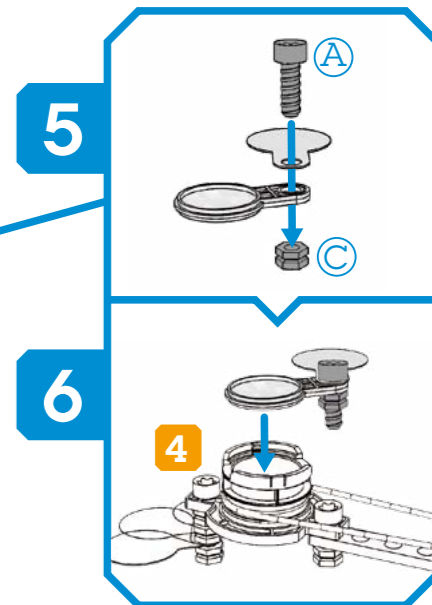
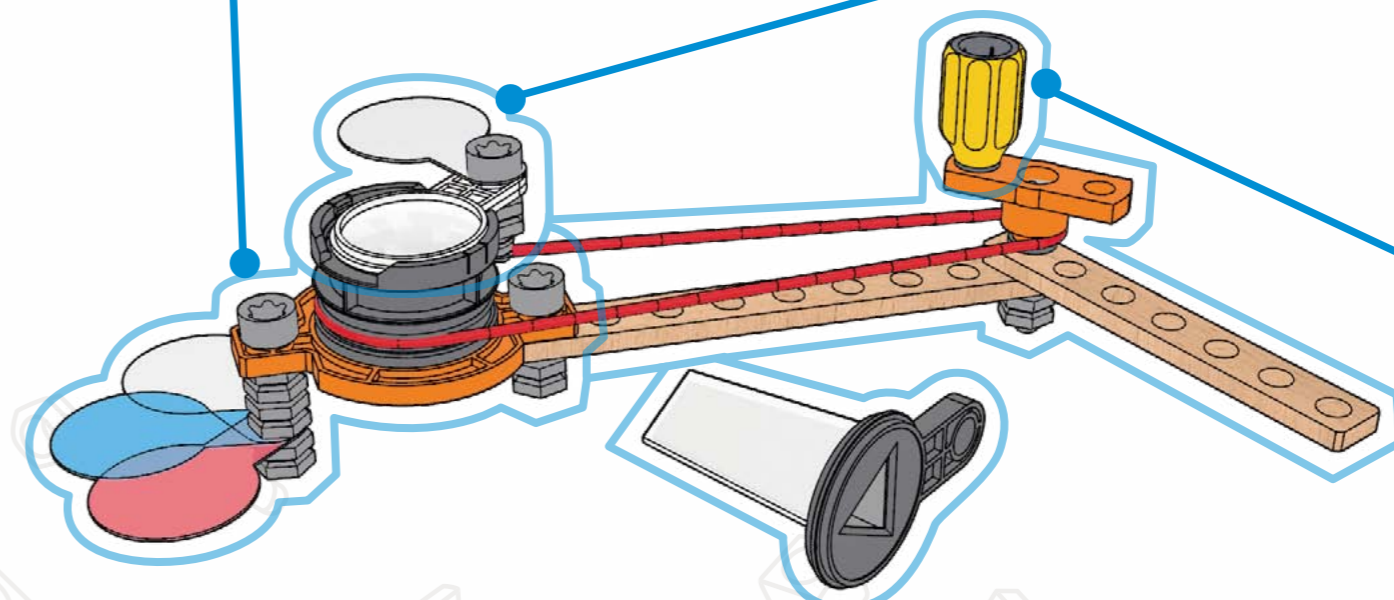
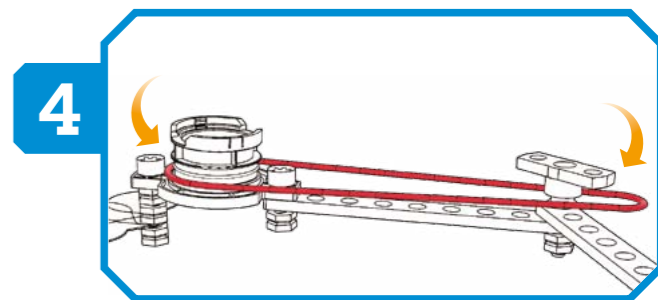
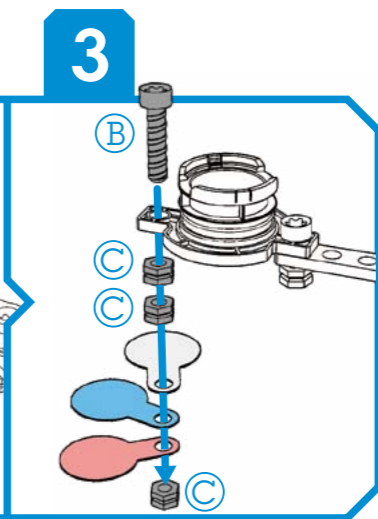
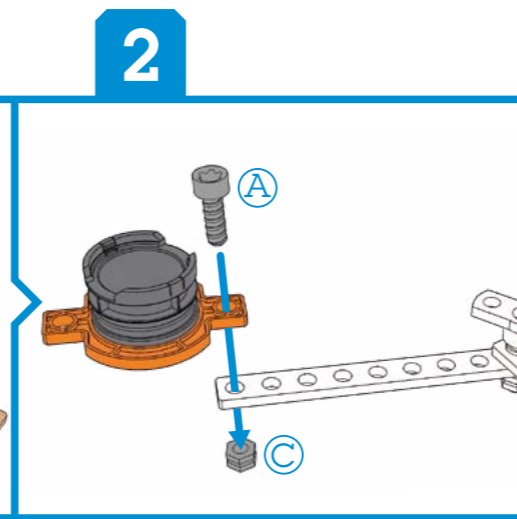
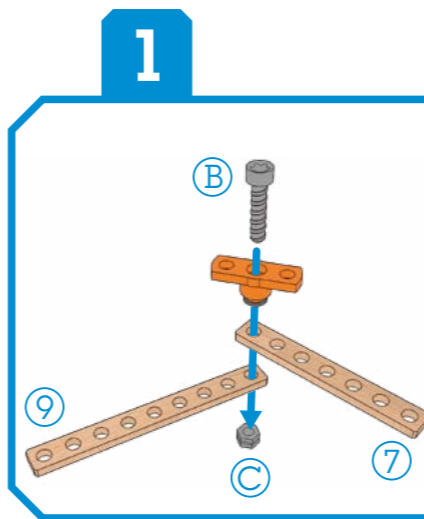
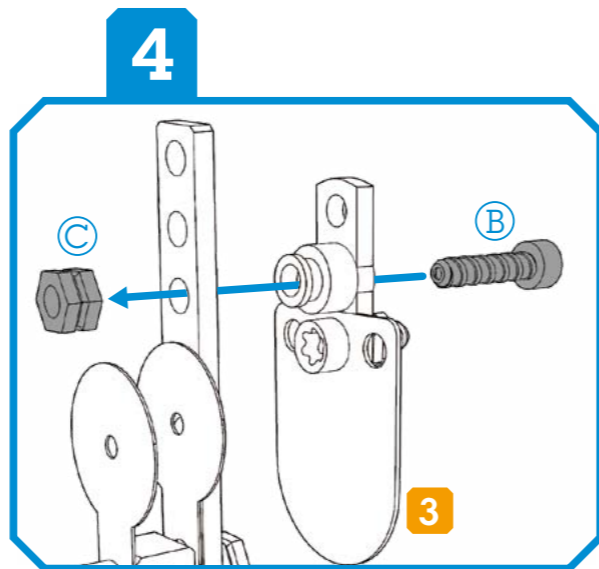
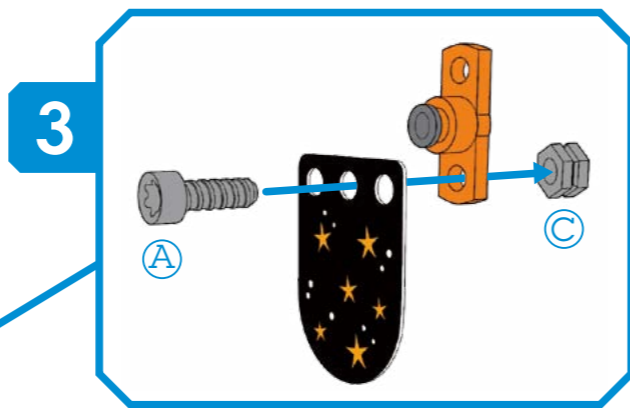
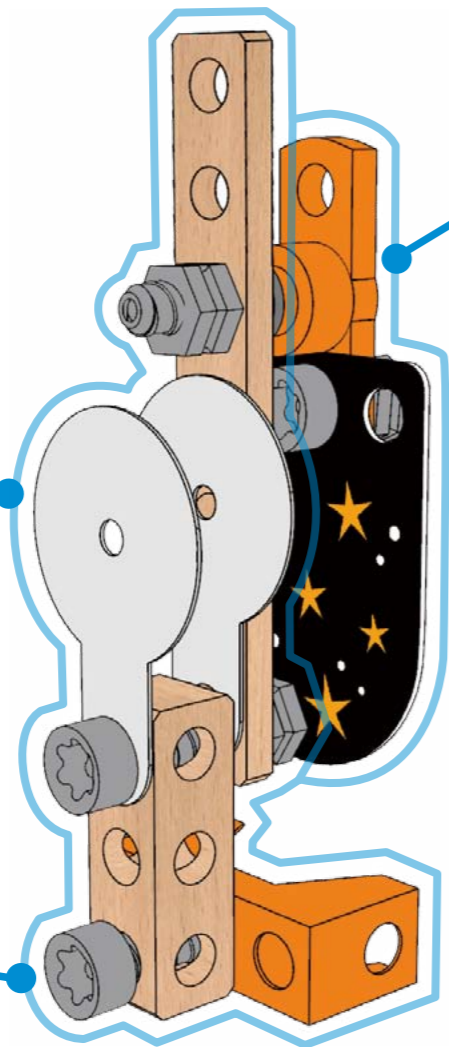
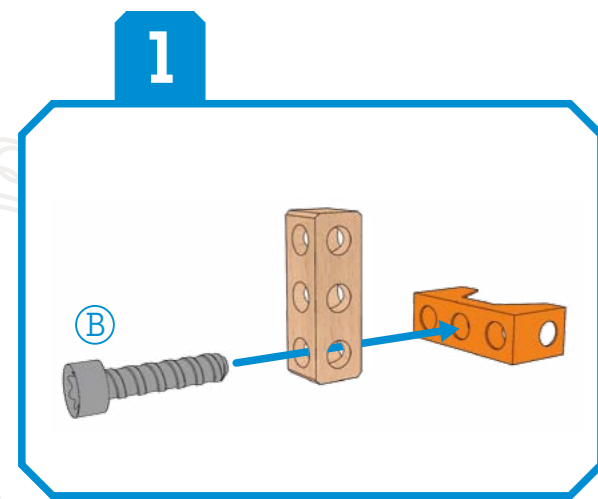
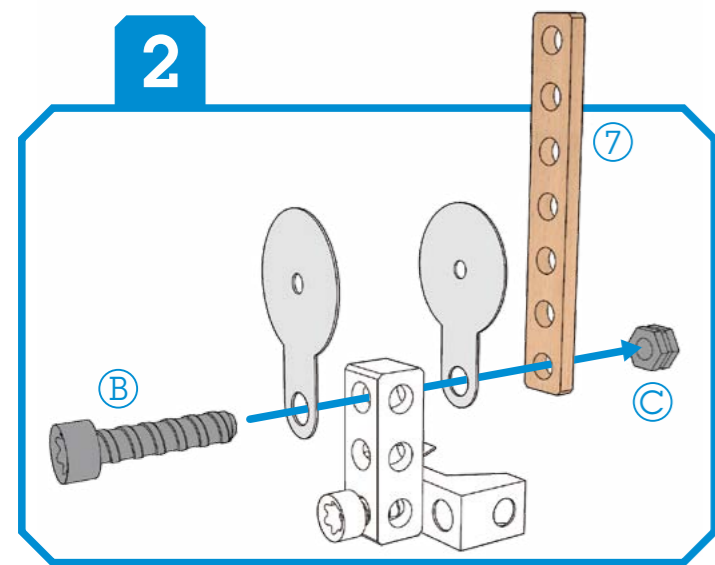
# JUNIOR INVENTOR



E8607









H A P E . C O M

**Hape International AG**  
Alsfelder Straße 41  
35325 Mücke  
Germany

**Hape International Inc.**  
2<sup>nd</sup> Floor  
199 Pembina Road  
Sherwood Park, AB T8H 2W8  
Canada