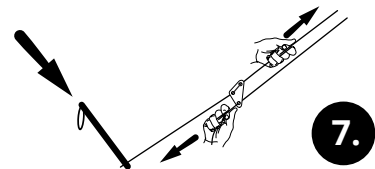
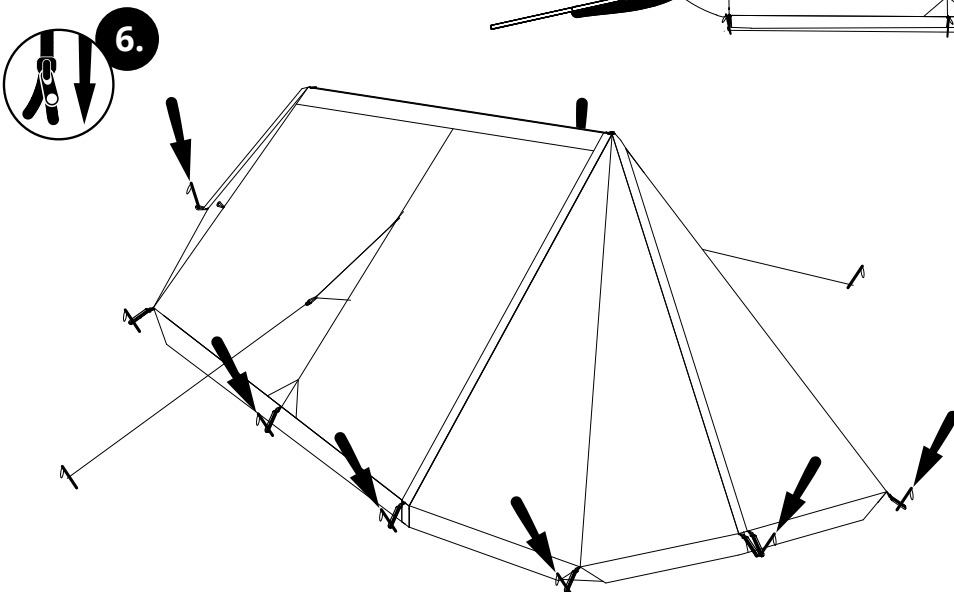
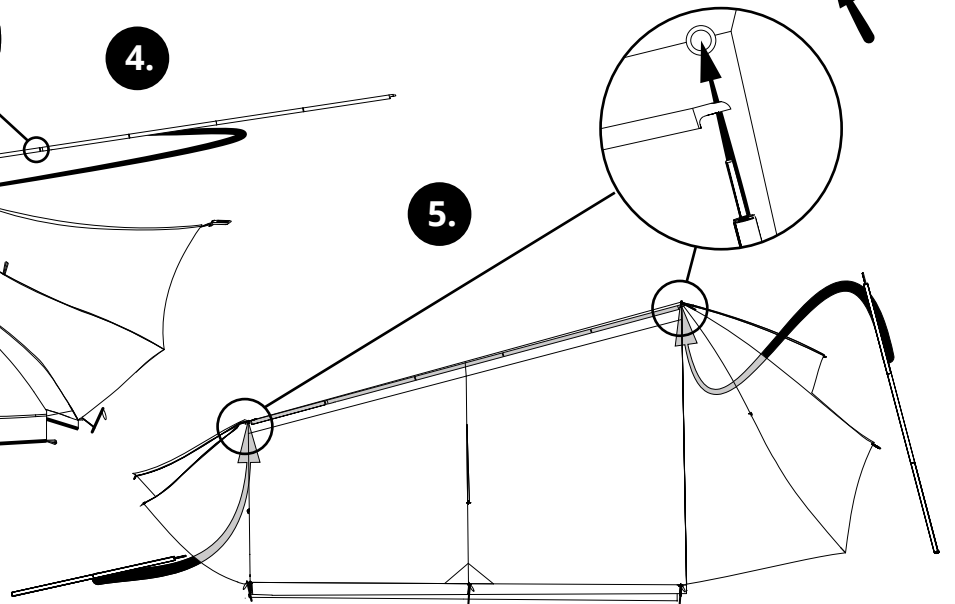
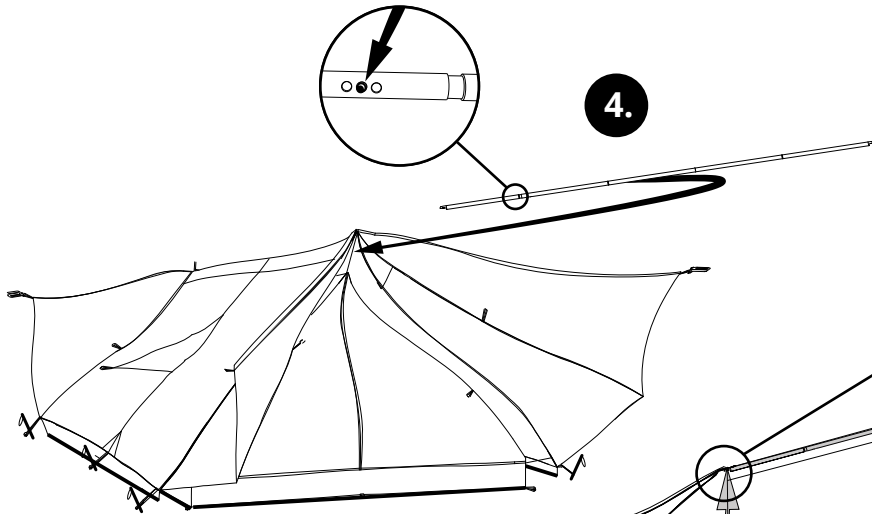
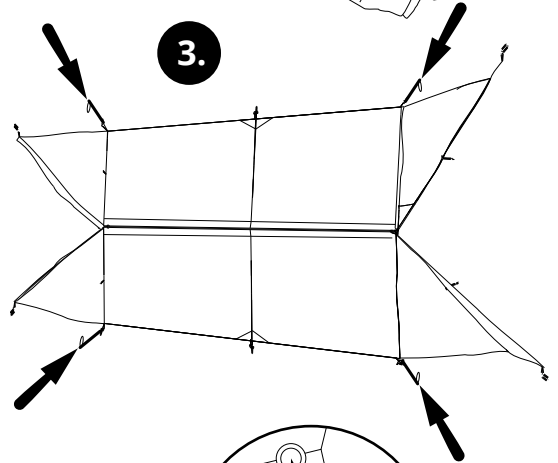
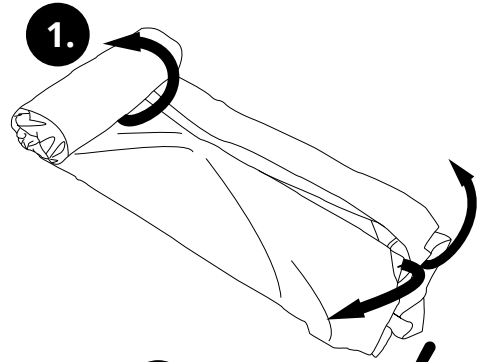
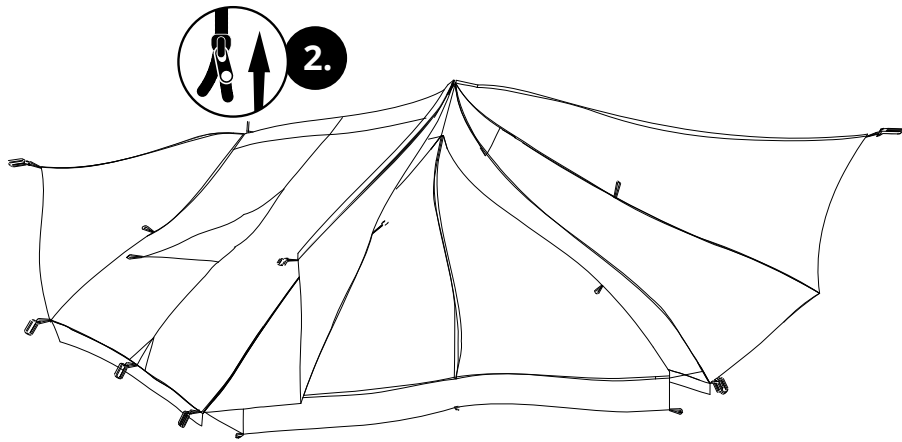

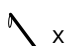




# ALPINO

SINCE 1903



-  x 4
-  x 14
- — — — —
- + inner tent
- & outer tent

Everest 2023

